

MINI LSP

PNEUMATIC PUMP LIQUID DISTRIBUTION SYSTEM FOR YOUR SPRAYING PROCESS

THIS LIQUID PRESSURE PUMPING SYSTEM PROVIDES A STABLE PRESSURE FOR YOUR SPRAY NOZZLES

The Mini LSP is equipped with a pump and a 58685 double diaphragm liquid pressure regulator from SSCO.

Its control is entirely pneumatic, this way it allows a stabilized working pressure of 0,5 to 5 bar.

The Mini LSP is designed in 316 stainless steel and meets the European standard 1935/2004. The connections are in mini-clamp for easy cleaning and hygienic plug-in fittings allow for an easy connection of liquid hoses.

ACCESSORIES

The Mini LSP can be used with all our food-grade nozzles, including :

- PulsaJet® 10000 JJAU and AUH
- The D55500 or JAU air operated nozzles



Simple and compact, the system can easily be moved and integrated under most conveyors.

The Mini LSP is available in 3 versions for use with different types of nozzles.

The system can be combined with the AutoJet® F1850+ to allow for electronic control of up to 8 PulsaJet® or other automated hydraulic nozzles.



MORE INFORMATION AVAILABLE ON WWW.SPRAY.COM

Bulletin No. E3033-EN (3/2022) · © 2022 Spraying Systems Co.
Subject to technical changes · Duplication and reproduction - even in part - is prohibited



Spraying Systems Co.®
Experts in Spray Technology



MINI LSP

TECHNICAL DATA :

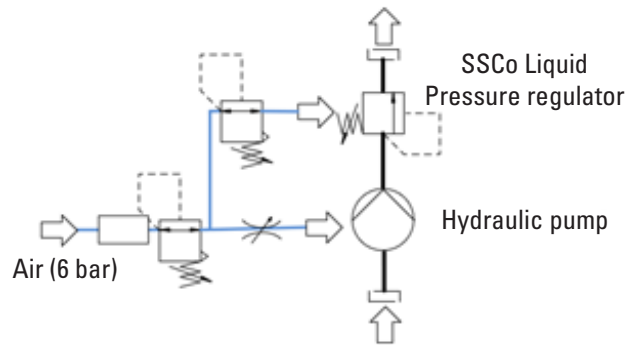
- Working pressure: 0,5 to 5 bar
- Maximum temperature: 70°C
- Cv = 1.2 - Liquid max flow 19 l/min
- Air supply : 6 to 8 bar
- Connections
 - Air : 1/4" BSPP female
 - Pump supply :
 - Mini clamp 34
 - 3/8" BSPP Female
- Liquid outlet:
 - 3/8" BSPP Female
 - 1/4" BSPP Female
 - Hygienic plug-in coupling for 10 mm hose
- Weight: 16 kg

COMPATIBILITY AND APPLICATIONS:

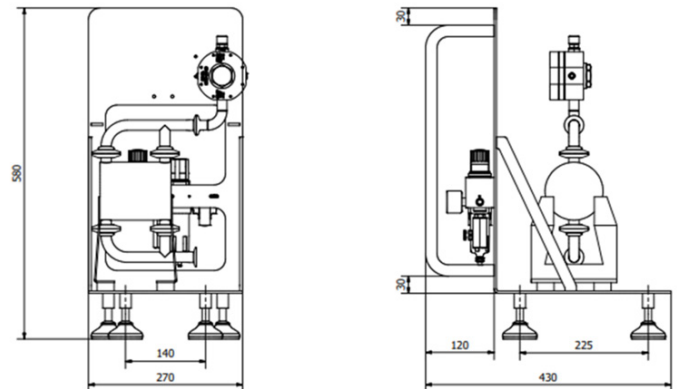


- Bio protection
- Alcohol
- Release agent
- Glazing
- Liquid smoke

REGULATION PROCESS



DIMENSIONS



OPTIONS

MINI LSP	PulsaJet® AUH	PulsaJet® JJAU	Air atomizing JAU Nozzle
Food Contact diaphragm pump	•	•	•
Food Contact liquid pressure regulator 58685-3/8-316SS	•	•	•
Restriction valve for pump speed adjustment	•	•	•
Manual regulator for liquid pressure	•	•	•
Manual regulator for air atomizing pressure		•	•
Solenoid valve for air atomizing		•	•
Solenoid valve for cylinder (Nozzle control)			•

DO YOU HAVE A SPECIFIC INGREDIENT? CONSULT ONE OF OUR EXPERTS FOR A FEASIBILITY TEST
 MORE INFORMATION AVAILABLE ON WWW.SPRAY.COM

