

LIQUID STRAINERS FOR FOOD INDUSTRY

HYGIENIC LIQUID STRAINER FOR FOOD INDUSTRY

The SAN1TWL-316L and SAN1TWT-316L liquid strainers are suitable for filtering liquids in the food industry. The hygienic DIN connections allow easy maintenance and quick replacement of the strainer element.

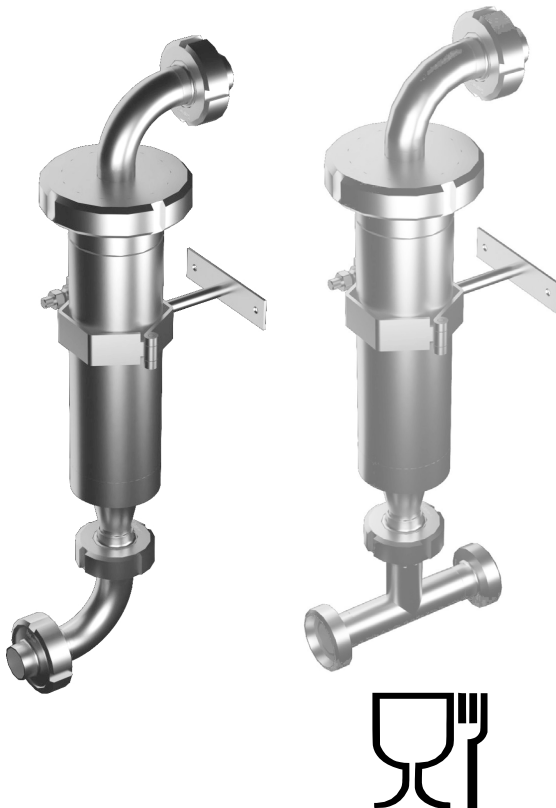
The strainer element is available in various meshes with free open passages from 1.1 mm down to 0.08 mm.



WORKING PRINCIPLE

Fitted to your existing liquid line, the liquid flows into the bottom port, up through the inner strainer element which filters the debris and traps them in the center, directing the filtered liquid to the outer walls of the strainer where it exits through the outlet at the top.

When using the T-version, the agglomeration of dirt in the inner part can be flushed easily by opening a drain valve (not included).



MATERIALS

All materials are food compliant. The strainer housing is built from 316L stainless steel, the strainer cartridge with the screen is made of stainless steel AISI 302 and AISI 304. The viton O-ring for the DIN connection is a food grade Viton.

PRESSURE DROP

The strainers have a K_v factor of 28. Pressure drop is calculated using the formula:

$$\Delta p = (V * K_v)^2$$

Δp = pressure drop
 V = flow rate in m³/hr
 K_v = flow coefficient

Sample: flow of 15 m³/hr => $\Delta p = 0.28$ bar



TECHNICAL DATA

- Hygienic strainer
- Material body: 316L
- Material mesh: SS (302/304)
- Available mesh sizes: 16, 30, 50, 80, 100 and 200 mesh
 - all sizes except the 16 mesh have double reinforced screens
- Filtration surface: 345 cm²
- Connection:
 - Inlet and outlet: DIN 25 (male) with hygienic gasket in Viton
 - Filter enclosure: DIN 65

ORDER INFORMATION FOR THE 2 OPTIONS:

Elbow-Version: **SAN1TWL-316L***

T-version: **SAN1TWT-316L***

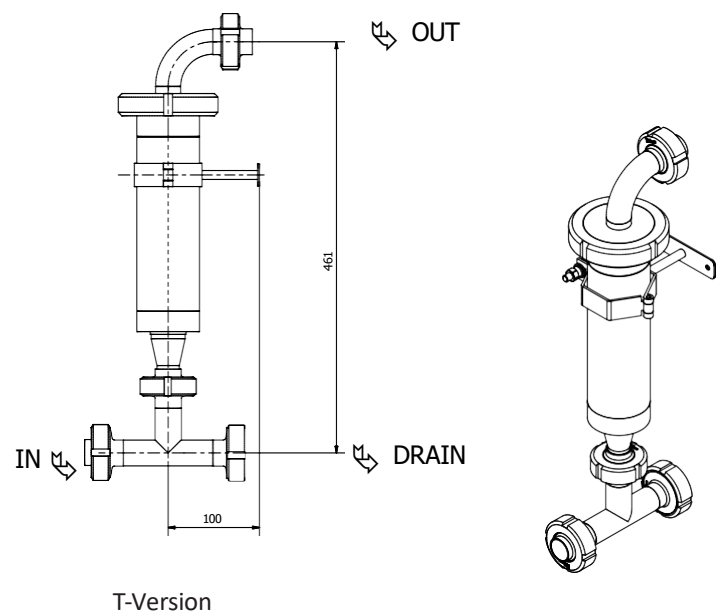
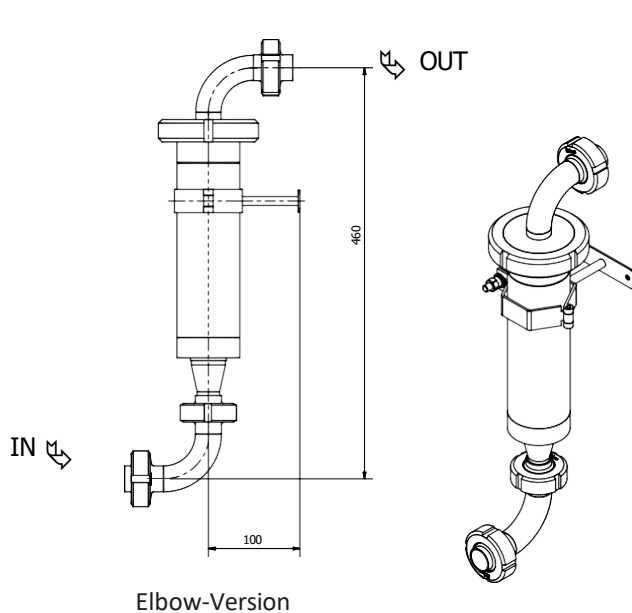
* = Mesh

APPLICATION OF A WIDE VARIETY OF LIQUIDS

- Egg glazing
- Dairy or vegetable protein
- Sugar syrup
- Bio protection products
- Potassium sorbate
- Vinegar

STRAINER SCREEN

Part No.	Mesh	Mesh Size	Color Code
CP12290-1-SS	16 (single)	1.1 mm	Brown
CP12290-2-SS	30	0.53 mm	Red
CP12290-3-SS	50	0.28 mm	Blue
CP12290-4-SS	80	0.18 mm	Yellow
CP12290-7-SS	200	0.08 mm	Pink
CP12290-8-SS	100	0.15 mm	Green



MORE INFORMATION AVAILABLE ON WWW.SPRAY.COM

