

COMPACT HF SPRAY NOZZLE

HIGH FREQUENCY SPRAY OPERATION



ELECTRICALLY ACTIVATED SPRAY NOZZLE FOR LOW CAPACITY AND ELECTRONIC FLOW CONTROL

BENEFITS

- Fast operating electric valve - **up to 12 000 cycles per minute** - offering fast on/off operation for **electronic flow control** using our AutoJet control systems.
- Recommended for use with water only
- Major parts manufactured from high quality materials, such as stainless steel 316L/1.4404, Viton
- Benefits from a wide range of spray angles and capacities using our standard UniJet spray tips up to capacity size -0050.
- Compatible with the PWM controls by AutoJet Technologies:
 - **AutoJet Compact Modular System E1550+** including pump or pressure tank, regulating valves, power supply and electronic control
 - **AutoJet PWM Control 2008+ Box** including electronic control and power supply



E1550+ Modular System

SPECIFICATIONS

Electrically-actuated hydraulic spray nozzle (high frequency)
Max. 12 000 cycles/min
The CompactHF spray nozzle accepts UniJet tip sizes up to -0050 capacity.
Max. liquid pressure: 8 bar (without spray tip)
Max. ambient temperature: 50 °C
Inlet connection: Push fitting 6 mm
Mounting holes: 2 x M4
Power consumption: 1 W at 24 VDC
Power connection: 24 VDC, M8 connector (3-pole)



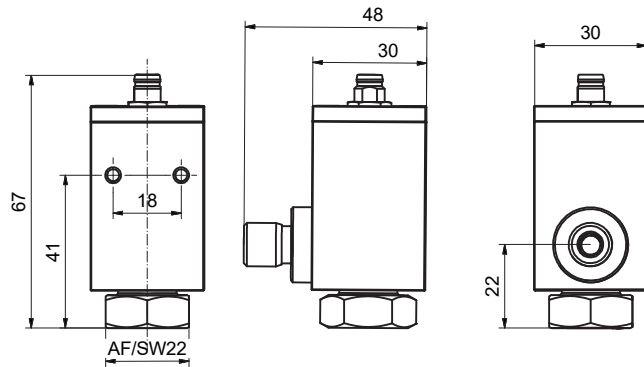
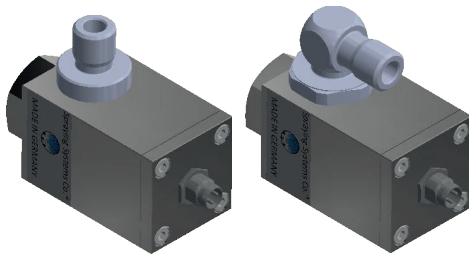
2008+ Box

DIMENSIONS & SPECIFICATIONS

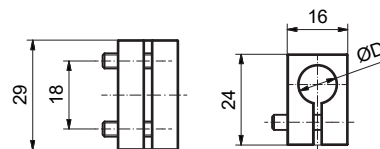
Download datasheet: [DS55571](#)



2 Versions available:
 0° push fitting or 90° swivel with push fitting
 200 Mesh (79 micron) strainer included



Mounting Clamp D55510



ORDER INFO:

D55571 - 1 - 00 - A4V

Straight Inlet

D55571 - 1 - 90 - A4V

90° Inlet Swivel

ACCESSORIES AND OTHER PRODUCTS:

- Mounting clamp for rod: [D55510](#)
 - for 10 mm rod: D55510-10-1.4404
 - for 12 mm rod: D55510-10-1.4404
- see [AutoJet Standard Products](#) for system options
- see [AutoJet Food Systems](#) for system options in the food industry

MORE INFORMATION AVAILABLE ON WWW.SPRAY.COM



Spraying Systems Co.
 Experts in Spray Technology

Visit www.spray.com for local representatives

Bulletin No. E3013 © Spraying Systems Co. 2019