

## Spray Control System (SCS) Series - Pump Less Version

### FEATURES

The pump less version is designed for applications where fluid delivery utilizes a pressurized vessel (pressure pot), or is supplied by the customer. This small assembly ships loose to be mounted directly to the fluid supply. The pump less system controls the flow of liquid using an internal, air piloted liquid pressure regulator via the Air Control Package (ACP). The pump less version is available in food contact and non-food contact configurations.

The pump less version requires that the fluid source be pressurized to a minimum of 10 psi above the maximum application pressure. The pump less version is not designed to pressurize a vessel or pressure pot, only to control the liquid pressure from the pressurized source to the spray nozzles. This version has an option to re-circulate liquid from the system back to the supply tank.

**Note:** The pump less version requires the use of an Air Control Package (ACP).

### Spray Control Panel

- Compatible with the 1000+, 1750+, and 2150+ spray control panels.

### Single Frame Design and Mobile Cart (Optional)

Mount your SCS Series spray control panel and fluid delivery version to a universal frame. A mobile cart is available to provide system maneuverability.

- Mobile cart has front locking caster wheels.

**Note:** Two Panel Design is provided if frame is not selected.

### SPECIFICATIONS:

#### Air Control Package (ACP) Maximum Pressures

- Liquid: 100 psi (7 bar)
- Atomizing air: 100 psi (7 bar)
- Fan air: 100 psi (7 bar)

*Note: See ACP Data Sheet for other pressure options.*

#### Air Line

- Max. air flow: 100 SCFM (2831.7 SLPM)
- Materials: brass, aluminum, stainless steel, and nickel plated brass.

#### Liquid Line

- Liquid inlet strainer: 100 mesh

#### Standard Version:

- Brass, nickel-plated brass, nylon, acetal, PTFE, polyethylene, polypropylene, Viton®, PVC, EPDM and stainless steel

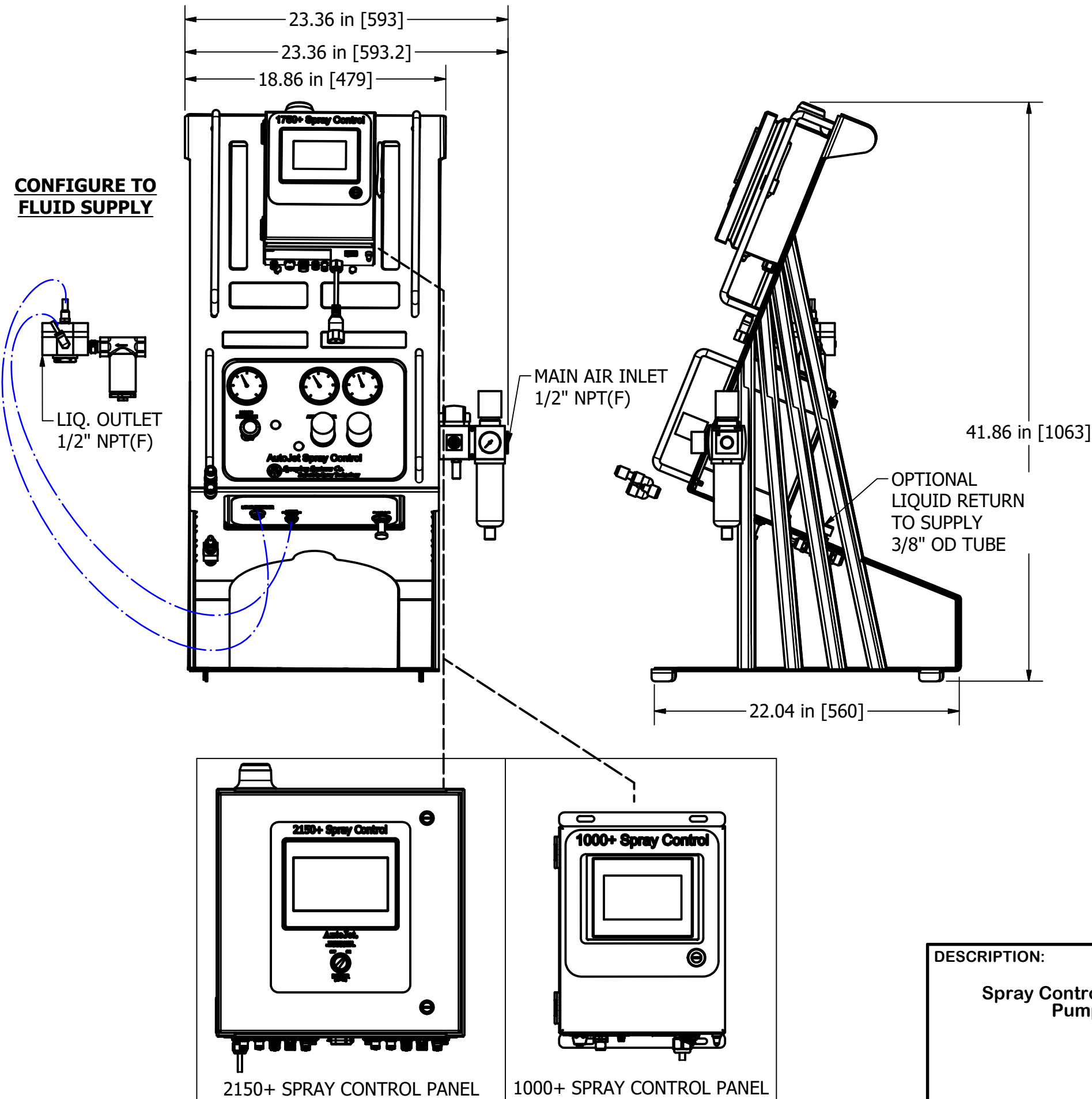
#### Food Contact Version:

- Food contact acetal, PTFE/CTFE, Viton®, polyethylene, polypropylene, PVC, EPDM and stainless steel

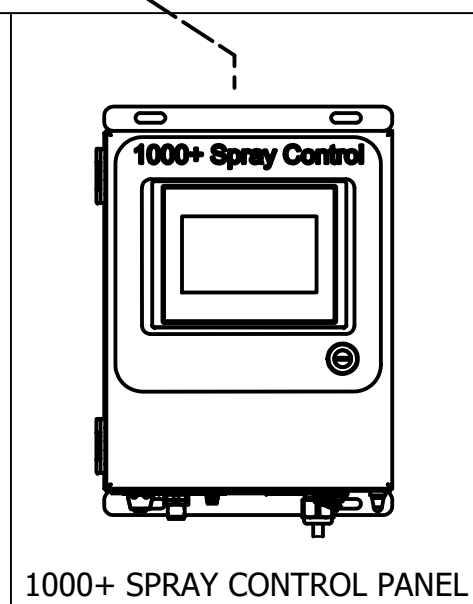
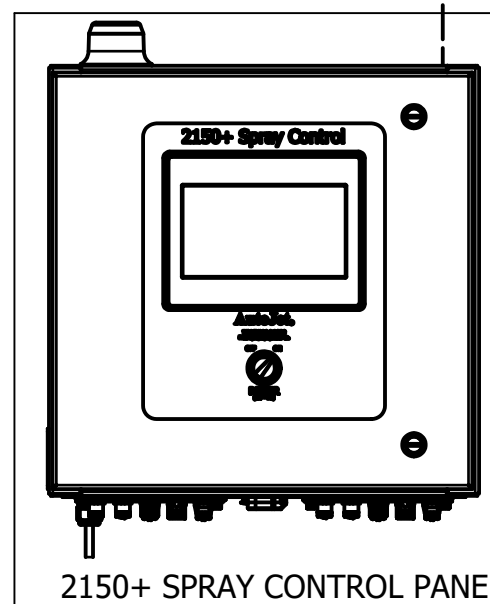
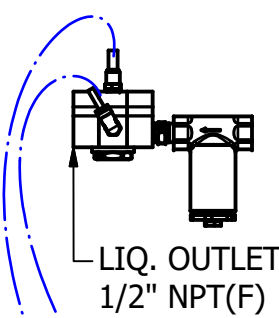
#### Total Configuration Weight

- 70–100 lbs. (31.8–45.4 kg)


**Note:** Exact weight of system configuration depends on spray control panel and component selection.



### CONFIGURE TO FLUID SUPPLY



DESCRIPTION:	Spray Control System (SCS) Series Pump Less Version		
--------------	--	--	--

 <b>Spraying Systems Co.</b> Spray Nozzles and Accessories P.O. Box 7900 - Wheaton, IL 60187-7901	REVISION NO.	Data Sheet No.	
	4	SCS Series-PLV	
REVISION DATE:	3/22	SHEET:	1 OF 1
		DWG SIZE:	B