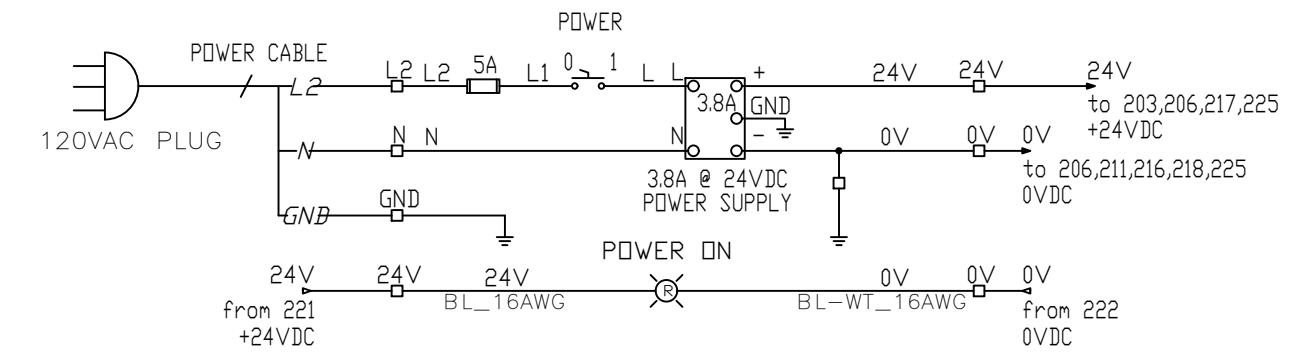
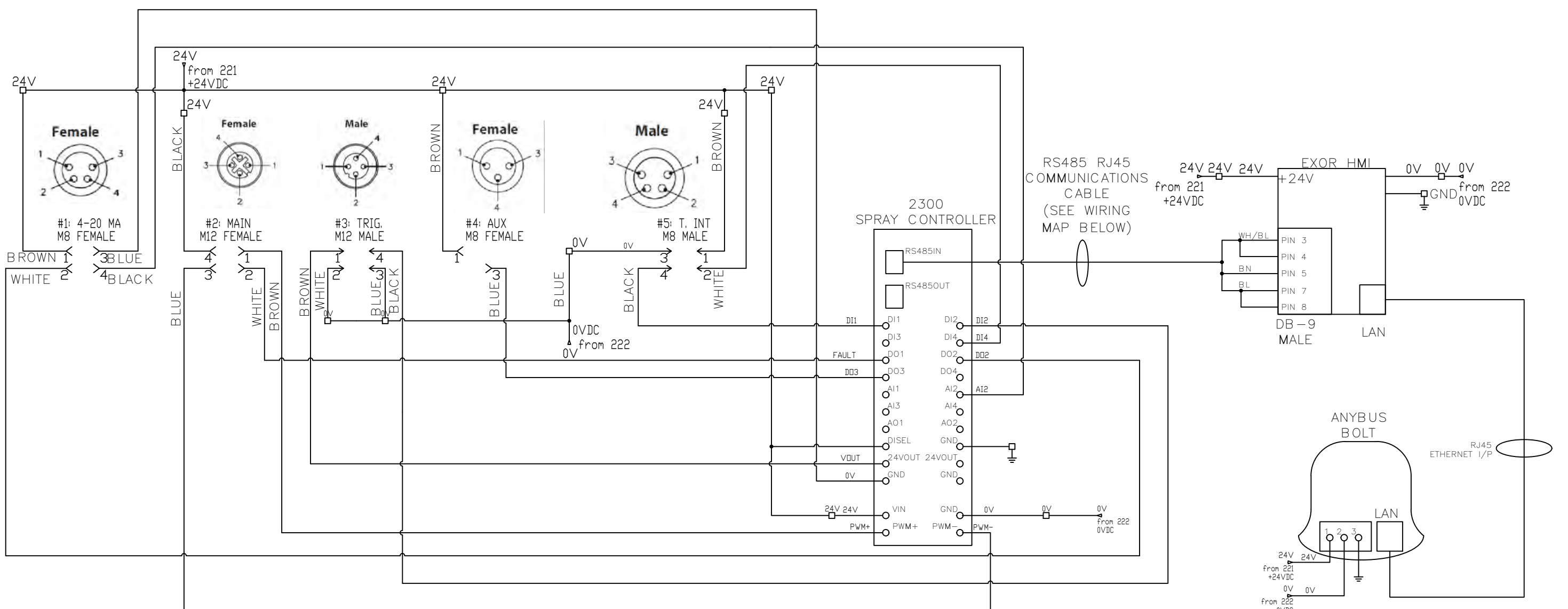
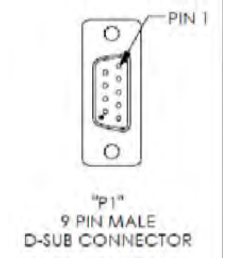


201  
202  
203  
204  
205  
206  
207  
208  
209  
210  
211  
212  
213  
214  
215  
216  
217  
218  
219  
220  
221  
222  
223  
224  
225



RS485 CABLE WIRING MAP	
RJ45 (2300 END)	HMI Comm (DB9 MALE END)
WH/BL	3,4
BN	5
BL	7,8



THE BOX IS WIRED NPN FOR DIGITAL INPUTS.  
 - WHEN USING A SWITCH TO TRIGGER, CONNECT DI2 AND 0VDC.  
 - WHEN USING AN ELECTRONIC SENSOR, MAKE SURE IT HAS AN NPN STYLE OUTPUT.

POWER DISTRIBUTION	<b>Spraying Systems Co.</b> Wheaton, Illinois 60187	
	DES. BY: TJK	DWG. NO. 1750+
1750+	DR. BY: TJK	1750+-002
REV.0	CH. BY: TJK	SHT. 2 OF 2
	DATE: 5/12/20	

1750+ OF 2 SHT. 2

© Spraying Systems Co.

The use of this drawing, in whole or in part, for any other purpose is strictly prohibited.