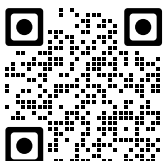


AUTOJET® 2150+ SPRAY CONTROL PANEL

QUICK START GUIDE

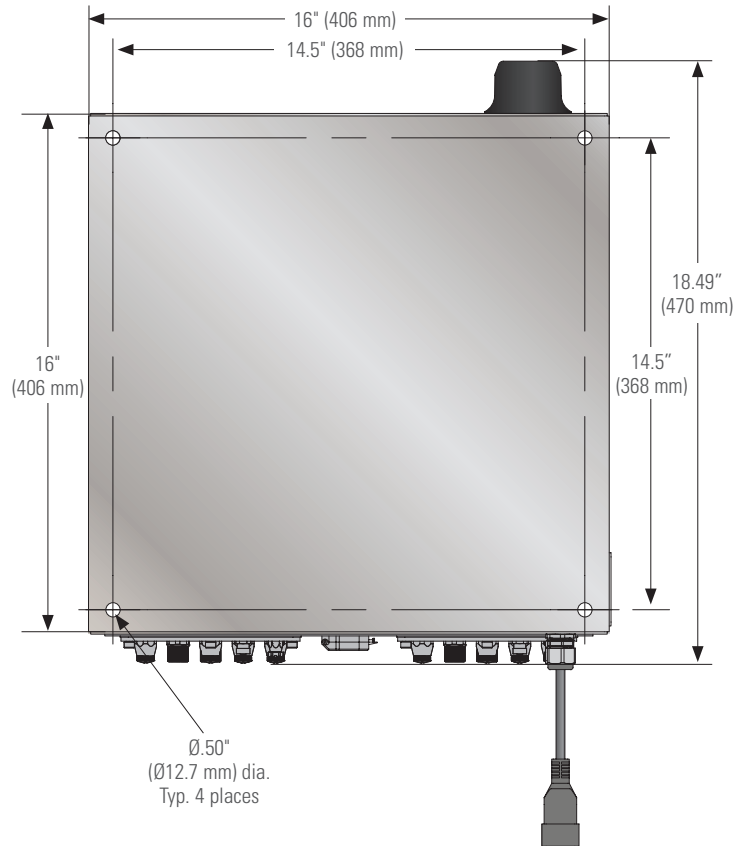
Each user's setup will be different and may or may not include all the connections or features that are listed. See owner's manual for more information on connections.



Scan the QR code above, or spray.com/autojetspraycontrol, to access manuals, videos and additional resources on the AutoJet 2150+ control panel.

1. MOUNT THE PANEL

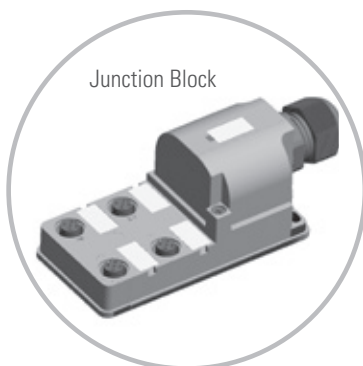
Mount the panel. If mounting on a wall use anchors that are designed to support at least 25 lbs. (11.34 kg), according to the anchor manufacturer's specifications. If mounting to an AutoJet® system use provided hardware. The mounting holes are on 14.5" (368.3 mm) centers and are made for 1/2" (12.7 mm) screws.



2. CONNECT ELECTRIC SPRAY NOZZLES

Connect spray nozzle cable to the Main 1 or Main 2 connection. For multiple nozzles, connect nozzles to a junction block and then connect the junction block cable to a Main connection. (Connect up to 8 electric spray nozzles per junction block based on the nozzle version and 2 junction blocks per Channel.)

For additional connections see step 3



3. ADDITIONAL CONNECTIONS IF APPLICABLE

1. TRIGGER OR SENSOR

Connect cable to Trig connection that will be used to start spray sequence. Available triggers are as follows, the one used should be based on the customer's application.

- Trigger cable (for use with customer-supplied trigger signal)
- Sensors including:
 - Object
 - Proximity
 - Laser (short/long)
 - Thru-beam
 - Full spectrum color sensor
- Hand-held trigger unit
- Foot switch

2. FAN/ATOMIZING AIR

The Fan/Atm Air electrical connection is used to actuate the air solenoids in our air control panel. Connect the cable from the air control panel to Fan/Atm Air connection on the panel.

3. TRIGGER INTERLOCK

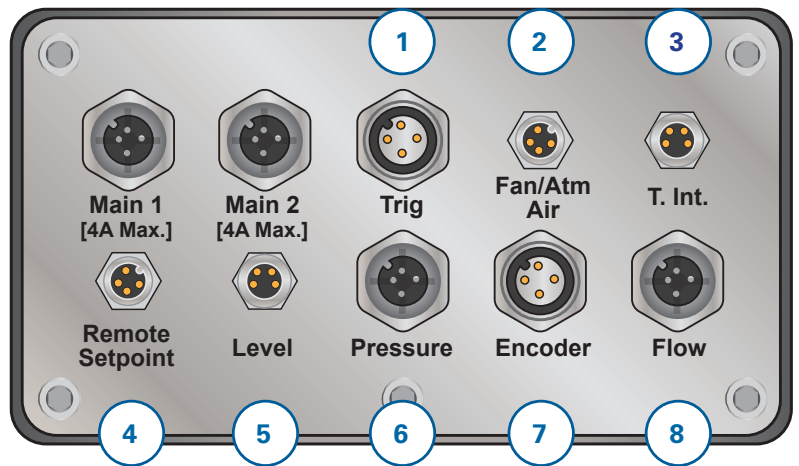
Trigger Interlock controls the state of run/standby mode. Connect the trigger interlock cable to the T. Int. connection on the panel.

4. REMOTE SETPOINT (DUTY CYCLE)

Connect the Remote Setpoint cable to the panel. Once the unit is powered up on the HMI you can set the duty cycle with a 4-20mA signal to control the spray nozzles cycle speed.

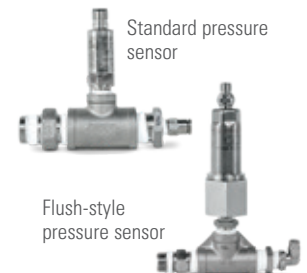
5. TANK LEVEL SENSOR

Connect the level sensor cable to the Level connection on the panel. Activate the level sensor from the Level settings screen on the HMI once the unit is powered on. When the tank level gets low enough to trigger the sensor, the unit will display a fault (tank low) on the screen. Note that the system will not stop spraying, only show a fault to warn the operator.



6. LIQUID PRESSURE

Liquid pressure settings require an active pressure sensor connection to the 2150+. Connect the pressure cable to the Pressure connection. When connected, the input settings should be calibrated to match the specifications of your pressure sensor.



7. ENCODER

Encoders are used to read the speed of a conveyor or machine shaft. Install the encoder, then connect the cable to the Encoder connection on the panel. Activate the encoder from the HMI in the Encoder settings screen.



8. FLOW METER

Our Flow Meter Panel will display flow readings on the HMI. Install the panel then connect the cable from the Flow Meter to the Flow connection on the panel. Set input values to match the specifications of the flow meter on the HMI once it is powered on.



Flow meter panel, dual-channel version

4. POWER UP THE PANEL

Plug into grounded 100/240VAC, 3A, single phase GFCI outlet. Turn power on. HMI display will illuminate. To set spray parameters and for HMI operation, please refer to the *Application Settings* in the owner's manual.

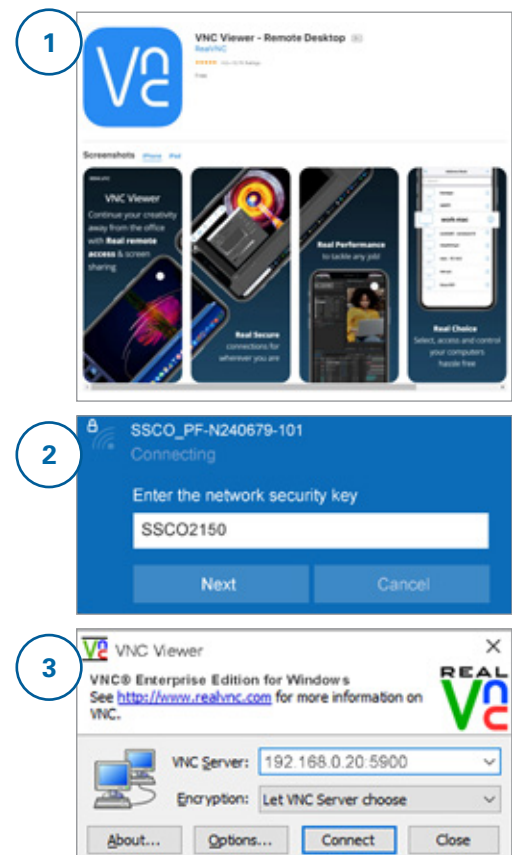


5. DOWNLOAD THE SMART DEVICE CONNECTION

1. Go to the Google® Play Store or Apple® App store and download a VNC viewer app, such as VNC® Viewer from RealVNC®.
2. In Wi-Fi settings on your mobile device, locate the Wi-Fi SSID, typically SSC0_xxxxxx. Select connect and enter the default password of SSC02150.

Note: There is a chance that your network administrator blocks this type of connection.

3. Open VNC Viewer and connect to the 2150+ at 192.168.0.20:5900





Spraying Systems Co.
Experts in Spray Technology

North Avenue and Schmale Road, P.O. Box 7900, Wheaton, IL 60187-7901 USA

Tel: 1.800.95.SPRAY Intl. Tel: 1.630.665.5000

Fax: 1.888.95.SPRAY Intl. Fax: 1.630.260.0842

Email: info@spray.com

www.spray.com



© 2022 Spraying Systems Co. All rights reserved.

PPN: ML002150QSG Rev. 041322