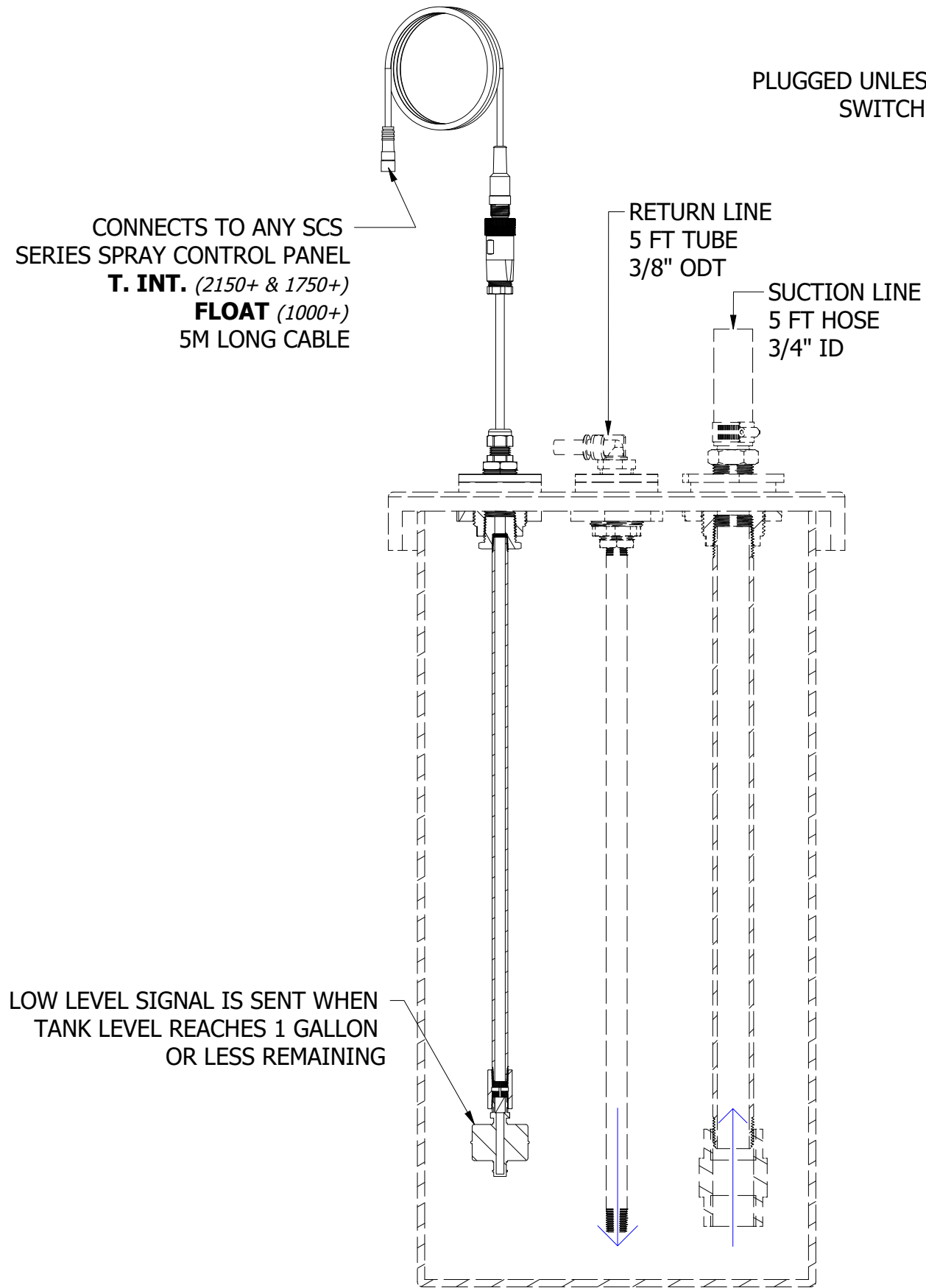
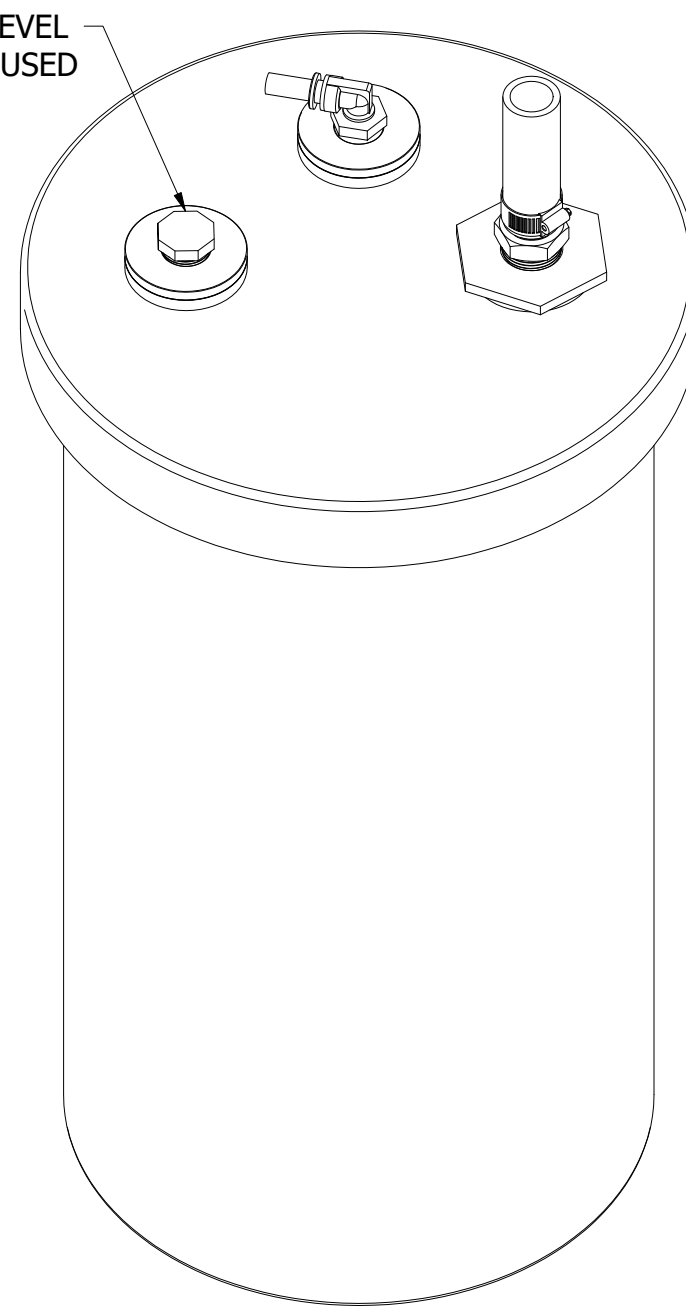


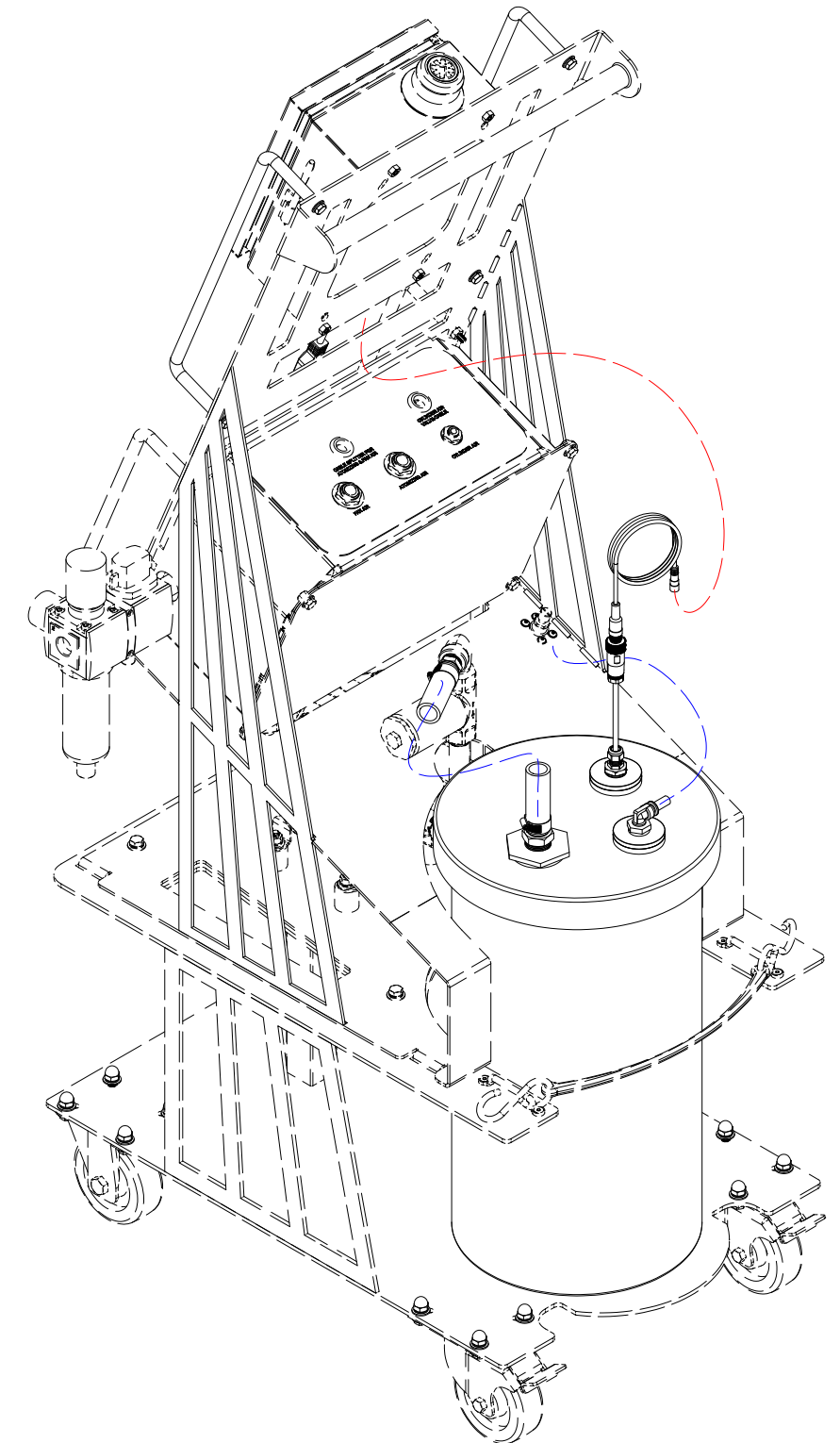
**MOBILE CART MOUNTED**



**KIT NO. 070TS07000038W0**  
*LEVEL SWITCH OPTION*

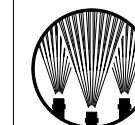


**KIT NO. 070TS07000037W0**  
*NO LEVEL SWITCH OPTION*



**DESCRIPTION:**  
 Spray Control System (SCS) Series

**Pump Supply Tank Kit - 7 Gal**  
 Open-lid top, For Food Contact &  
 Non-Food Contact Applications  
 Level Switch or No Level Switch



**Spraying Systems Co.**<sup>®</sup>  
 Spray Nozzles and Accessories  
 P.O. Box 7900 - Wheaton, IL 60187-7901

REVISION NO.	2	Data Sheet No.	
REFERENCE:	1	<b>SCS Series-STPV</b>	
		SHEET: 1 OF 1	DWG SIZE: B