

CHEESE MANUFACTURER SLASHES MOLD INHIBITOR USE IN HALF; SAVES US\$143,000 ANNUALLY WITH AUTOJET® FOOD SAFETY SPRAY SYSTEM

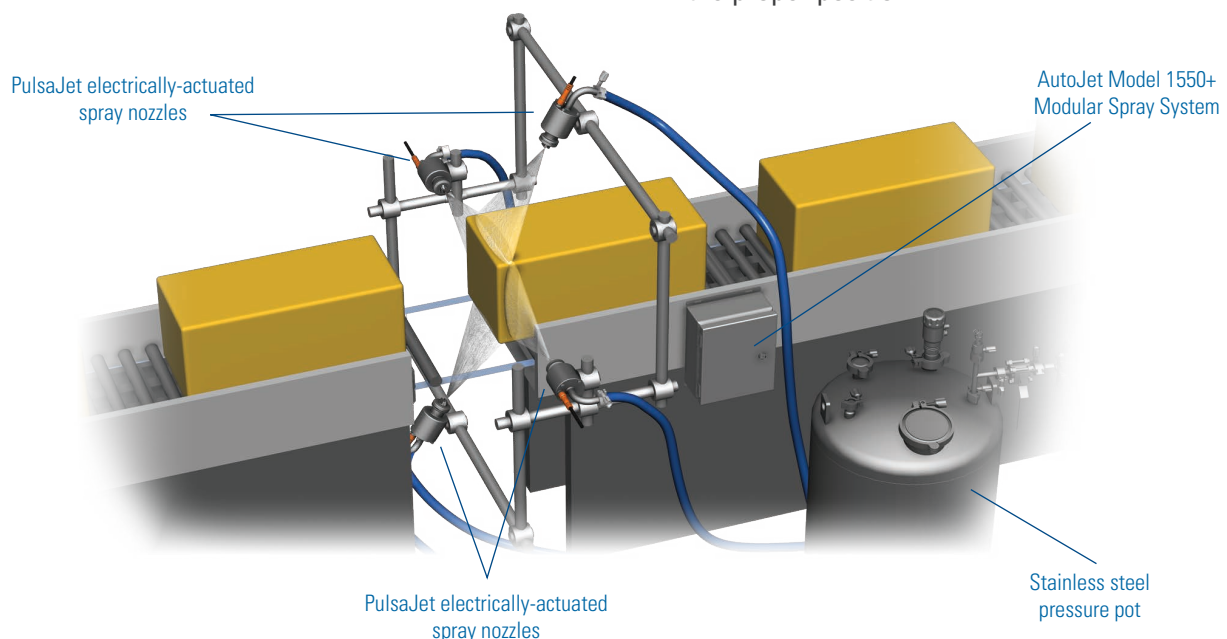


PROBLEM:

A cheese manufacturer needed a better way to apply a costly mold inhibitor – natamycin – on blocks of cheese on a moving conveyor. The natamycin was applied to the cheese as it passed through a spray station but the manufacturer was struggling to apply the proper volume. Over-application was wasteful; under-application resulted in increased mold counts. In addition, the nozzles sprayed continuously – even between the blocks of cheese, adding to the waste issue.

SOLUTION:

Spraying Systems Co. solved the problem with an AutoJet Food Safety Spray System for Cheese. A single system now applies the natamycin to cheese on two lines. Each line has four hydraulic PulaJet® electrically-actuated spray nozzles, strategically placed to apply the natamycin uniformly on all sides of the cheese without waste. Precision Spray Control (PSC) is used to ensure the proper volume of natamycin is applied – even when operating conditions such as line speed changes. The spray controller makes automatic adjustments to the flow rate, eliminating over- and under-application problems. Object sensors are used to detect when cheese blocks are in the spray station. The nozzles are triggered to spray only when the cheese blocks are in the proper position.



CHEESE MANUFACTURER SLASHES MOLD INHIBITOR USE IN HALF; SAVES US\$143,000 ANNUALLY WITH AUTOJET® FOOD SAFETY SPRAY SYSTEM – Continued

RESULTS:

Use of the AutoJet Food Safety Spray System has reduced natamycin consumption by nearly 50% – a savings of US\$143,000 per year. The cost of the system was offset in less than five months. In addition to the

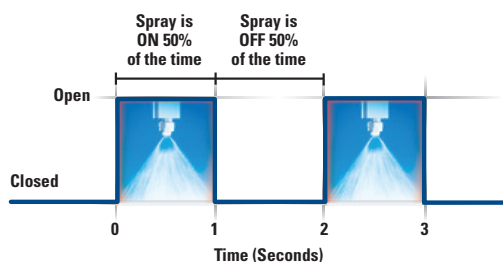
ongoing cost savings, the manufacturer is no longer plagued by unacceptable mold counts.

A CLOSER LOOK AT THE SYSTEM



PulsaJet® electrically-actuated spray nozzles provide high transfer efficiency to minimize waste and messy overspray. Pulsajet nozzles can be used with a variety of spray tips to ensure the performance matches the application requirements.

AutoJet Model 1550+ Modular Spray System provides complete automated spray control of nozzles to ensure precise and accurate placement of the natamycin with minimal waste.



Precision Spray Control (PSC) involves turning nozzles on and off very quickly to control flow rate. This cycling is so fast that the flow often appears to be constant. With traditional nozzles, flow rate adjustments require a change in liquid pressure, which also changes the nozzle's spray angle, coverage and drop size. With PSC, pressure remains constant enabling flow rate changes without changes in spray performance. PSC requires the use of electrically-actuated spray nozzles and an AutoJet spray controller.

For more information about Precision Spray Control, visit spray.com/psc



Spraying Systems Co.®
Experts in Spray Technology

North Avenue and Schmale Road, P.O. Box 7900, Wheaton, IL 60187-7901 USA

Tel: 1.800.95.SPRAY Intl. Tel: 1.630.665.5000
Fax: 1.888.95.SPRAY Intl. Fax: 1.630.260.0842

www.spray.com



Case Study No. 265 ©Spraying Systems Co. 2018