



## PULSAJET® MINI LOW FLOW SPRAY SYSTEM


IMPROVE PERFORMANCE & LOWER COSTS  
WITH PRECISION SPRAY CONTROL

**AutoJet**  
TECHNOLOGIES  
From *Spraying Systems Co.*



**Spraying Systems Co.®**  
Experts in Spray Technology





## PRECISE CONTROL FOR EXTRA LOW FLOW SPRAY APPLICATIONS – WITHOUT THE USE OF COMPRESSED AIR!

**Accurate spray placement and exceptional spray pattern integrity  
for very high speed spray applications.**

### SYSTEM OVERVIEW:

- Maintains optimal spray performance despite varying line speeds
  - Provides uniform coverage and constant application rate
  - Ensures accurate intermittent spraying
- High-speed capability up to 25,000 cycles per minute
- Flow rates as low as 0.01 gallons per hour (0.04 liters per hour) for a single nozzle system
- Flow rate can be changed almost instantaneously without affecting drop size or spray angle
- Premium UniJet® PWMM flat spray tips provide a tapered flat spray pattern for uniform coverage when mounted in a spray header with 5° pattern offset for automatic spray pattern alignment
- A wide range of flow rates are possible from a single nozzle at a single pressure
- For dosing applications, spray time as low as 1 ms can be achieved
- Spray manifolds available for up to 8 PalsaJet Mini nozzles
- Touch screen HMI with diagnostic screens for easy user control and troubleshooting
- Wide range of input and output signals to allow use of a variety of sensors, including trigger sensors, line speed sensors, pressure transducers and more
- Integrates easily with other plant control systems
- Complies with appropriate European Community (CE) standards



### BENEFITS:

- Coating consumption can be reduced
- Reduces product scrap caused by over- or under-application of coatings
- Eliminates the need for costly compressed air and minimizes the misting and overspray problems sometimes associated with air atomizing nozzles
- Reduces maintenance time to clean excess coating from equipment and/or floor due to over-application
- Improves worker safety by minimizing misting
- Minimizes the need to change spray set-ups between batches – a single nozzle produces a wide flow rate range

## HOW PRECISION SPRAY CONTROL WORKS

Electrically-actuated spray nozzles are turned on and off very quickly to control flow rate. This cycling is so fast that the flow often appears to be constant.

With traditional nozzles, flow rate adjustments require a change in pressure. Changing pressure also changes the nozzle's spray angle/coverage and drop size. With PSC, pressure remains constant enabling flow rate changes without changes in spray performance.

### NOZZLES SPRAYING 90% OF THE TIME



### NOZZLES SPRAYING 50% OF THE TIME

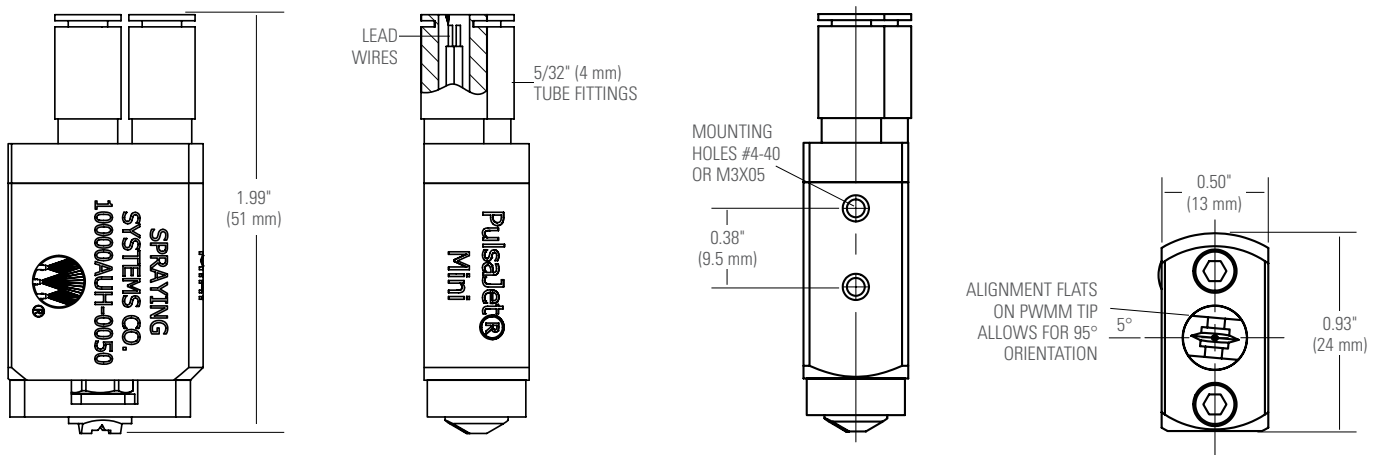


### NOZZLES SPRAYING 25% OF THE TIME



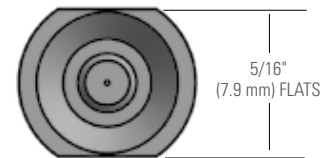
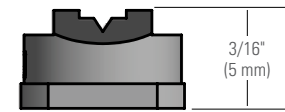
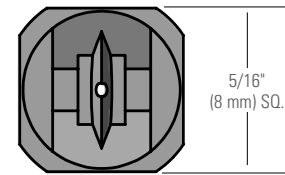
## SPECIFICATIONS

### PULSAJET® MINI AUTOMATIC SPRAY NOZZLES



### UNIJET® PWMM SPRAY TIPS

| Tip No.<br>TPU_PWMM-SS | Marking | Spray Angle at<br>40 psi (2.75 bar) | Capacity gpm (lpm)<br>at 40 psi (2.75 bar) |
|------------------------|---------|-------------------------------------|--|
| 1100025                | WG      | 110°                                | 0.025 (0.095)                              |
| 1100033                | WH      | 110°                                | 0.033 (0.125)                              |
| 1100050                | WJ      | 110°                                | 0.050 (0.189)                              |
| 950025                 | 9G      | 95°                                 | 0.025 (0.095)                              |
| 950033                 | 9H      | 95°                                 | 0.033 (0.125)                              |
| 950050                 | 9J      | 95°                                 | 0.050 (0.189)                              |
| 800025                 | 8G      | 80°                                 | 0.025 (0.095)                              |
| 800033                 | 8H      | 80°                                 | 0.033 (0.125)                              |
| 800050                 | 8J      | 80°                                 | 0.050 (0.189)                              |
| 650025                 | 6G      | 65°                                 | 0.025 (0.095)                              |
| 650033                 | 6H      | 65°                                 | 0.033 (0.125)                              |
| 650050                 | 6J      | 65°                                 | 0.050 (0.189)                              |



**Spraying Systems Co.®**

Experts in Spray Technology

North Avenue and Schmale Road, P.O. Box 7900, Wheaton, IL 60187-7901 USA

Tel: 1.800.95.SPRAY

Intl. Tel: 1.630.665.5000

Fax: 1.888.95.SPRAY

Intl. Fax: 1.630.260.0842

www.spray.com



Bulletin No. 705A Printed in the U.S.A. ©Spraying Systems Co. 2014