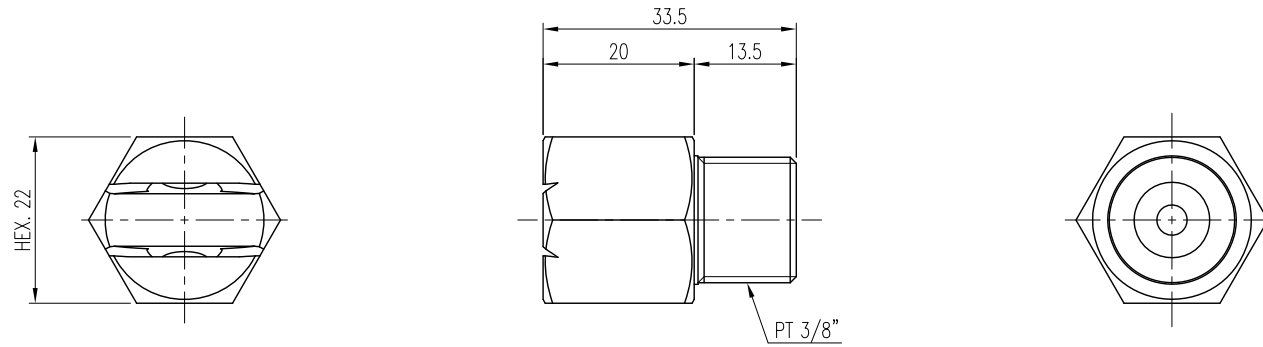
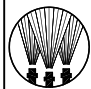




ECO NO.	DATE	REVISION & DESCRIPTION	REVIEWED	CHECKED
△				
△				

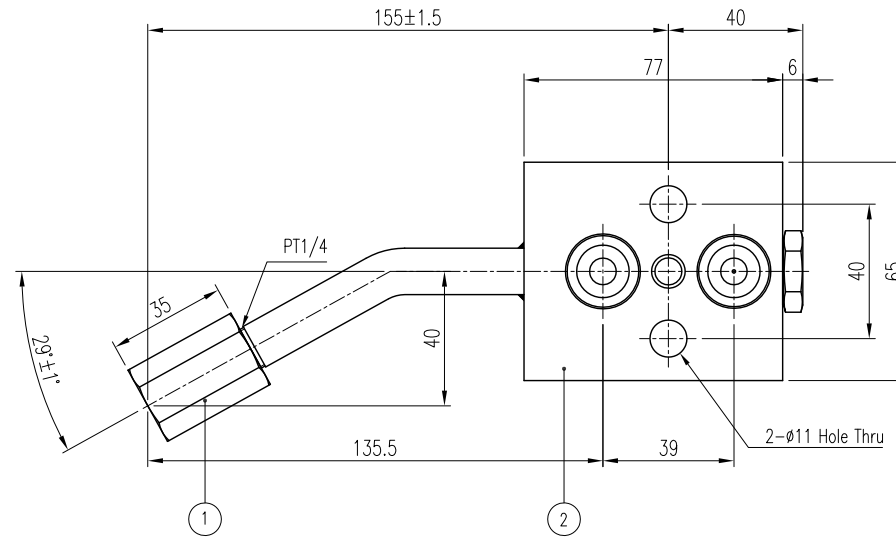
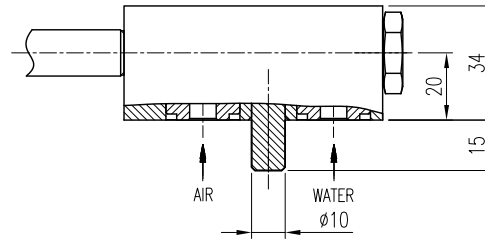


ZONE3 WIDE SIDE
3/8 KSAMK 045143X2 - NOZZLE TIP

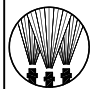
ITEM	DESCRIPTION	SIZE	MATERIAL	Q'TY	REMARKS
1	NOZZLE TIP(K170266-SS)	-	SS	1	
DESC.		KCJ170266-SS CASTERJET		CUSTOMER :	
APP BY.	CH BY.	DES BY.	PRODUCT NAME :		
J.H.JUNG	T.H.JUNG	C.W.LEE			
 Spraying Systems Co., Korea Experts in Spray Technology			SCALE : 1:1 	CREATE DATE : 2019.11.18 DWG. NO. : 56170-266-M1	

지시외 용접치수		절삭가공치수의 지시외 일반치수 허용차 (KS B ISO2768-1 중급)						SPECIFICATION		
 a= b= a=	구분	0.5 이상 3 이하	3 을초과 6 이하	6 을초과 30 이하	30 을초과 120 이하	120 을초과 400 이하	PRESSURE (XXX) (bar)	SPRAY ANGLE (±7°) (XXX)~(XXX)~(XXX) (XXXX)~(XXXX)~(XXXX) CAPACITY (ℓ/min ±7%)		
	허용차	±0.1	±0.1	±0.2	±0.3	±0.5				
지시외 모서리부분		SURFACE ROUGHNESS (KS B 0617)								
C= R=	다듬질기호	~	▽	▽▽	▽▽▽	▽▽▽▽				
	Rmax	100S	25S	6.3S	0.8S					

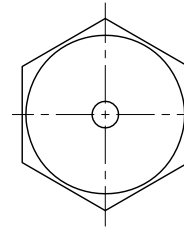
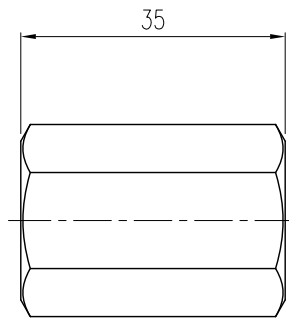
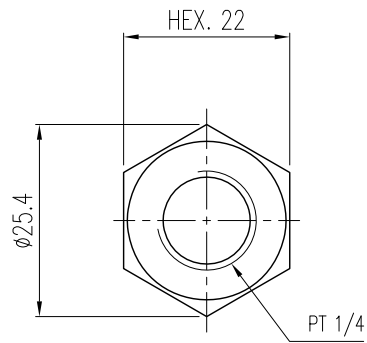
ECO NO.	DATE	REVISION & DESCRIPTION	REVIEWED	CHECKED
△				
△				



ZONE3 NARROW SIDE
1/4 KSAMF 08553 (NARROW RIGHT)

2	BODY	-	304SS	1	-
1	NOZZLE TIP	-	303SS	1	-
ITEM	DESCRIPTION	SIZE	MATERIAL	Q'TY	REMARKS
DESC.	KCJ170267R-SS CASTERJET		CUSTOMER :		
APP BY.	CH BY.	DES BY.	PRODUCT NAME :		
J.H.JUNG	J.H.JUNG	T.H.JUNG			
 Spraying Systems Co., Korea Expert in Spray Technology			SCALE :	CREATE DATE :	
			1:1	2019.08.23	
THIRD ANGLE			DWG. NO. :	56170-267-C1	

ECO NO.	DATE	REVISION & DESCRIPTION	REVIEWED	CHECKED
△				
△				



ZONE3 NARROW SIDE
1/4 KSAMF 08553 - NOZZLE TIP

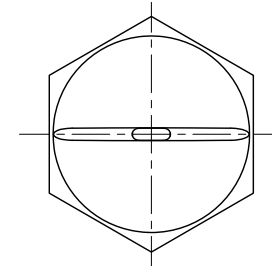
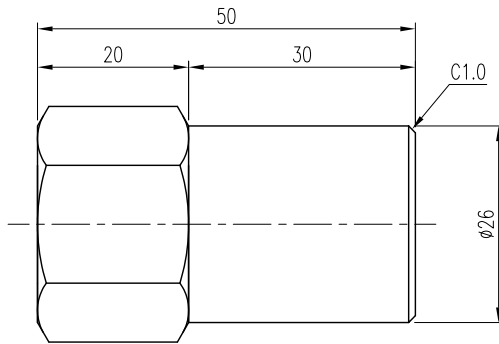
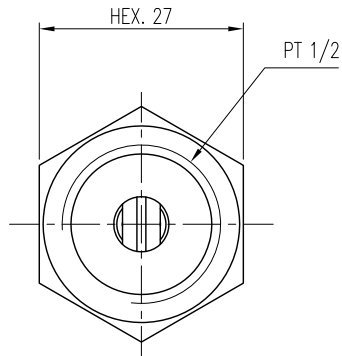
지시외 용접치수	절삭가공치수의 지시외 일반치수 허용차 (KS B ISO2768-1 중급)					SPECIFICATION	
	구분	0.5 이상 3 이하	3 을초과 6 이하	6 을초과 30 이하	30 을초과 120 이하	120 을초과 400 이하	PRESSURE (XXX) (bar)
	허용차	±0.1	±0.1	±0.2	±0.3	±0.5	
지시외 모서리부분	SURFACE ROUGHNESS (KS B 0617)					CAPACITY (ℓ/min ±7%)	
C= R=	다듬질기호	▽	▽▽	▽▽▽	▽▽▽▽		
	Rmax	100S	25S	6.3S	0.8S		

SPRAY ANGLE (±7°)
(XXX)~(XXX)~(XXX)

(XXXX)~(XXXX)~(XXXX)
CAPACITY (ℓ/min ±7%)


1	NOZZLE TIP(K170267-SS)	-	SS	1	
ITEM	DESCRIPTION	SIZE	MATERIAL	Q'TY	REMARKS
DESC.	KCJ170267-SS CASTERJET		CUSTOMER :		
APP BY.	CH BY.	DES BY.	PRODUCT NAME :		
J.H.JUNG	S.H.LEE	T.H.JUNG			
 Spraying Systems Co., Korea Experts in Spray Technology			SCALE :	CREATE DATE :	
			1:1	2019.09.27	
			THIRD ANGLE	DWG. NO. :	
				56170-267-M1	

ECO NO.	DATE	REVISION & DESCRIPTION	REVIEWED	CHECKED
△				
△				

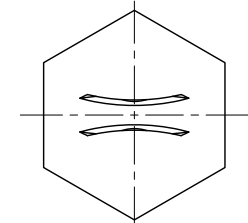
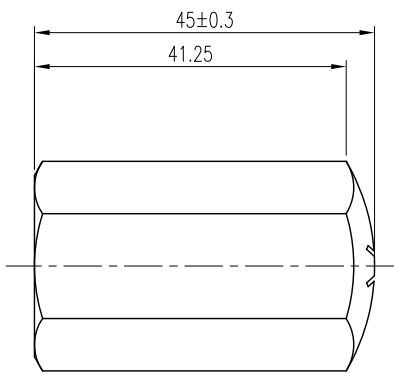
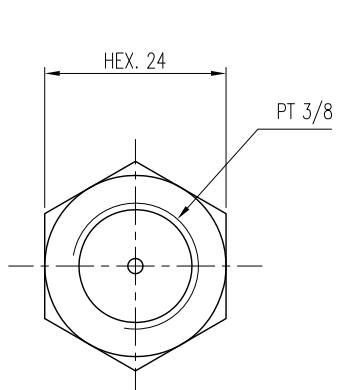


1/2 KSTN 08144

SPECIFICATION	
PRESSURE (XXX) (bar)	SPRAY ANGLE ($\pm 7^\circ$) (XXX)~(XXX)~(XXX) (XXXX)~(XXXX)~(XXXX) CAPACITY ($\ell/\text{min} \pm 7\%$)

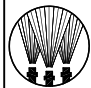
ITEM	DESCRIPTION	SIZE	MATERIAL	Q'TY	REMARKS
1	NOZZLE	-	303SS	1	
DESC.		KCJ170268-SS		CUSTOMER :	
		CASTERJET			
APP BY.	CH BY.	DES BY.	PRODUCT NAME :		
J.H.JUNG	T.H.JUNG	C.W.LEE			
 Spraying Systems Co., Korea Expert in Spray Technology			SCALE :	CREATE DATE :	
			1:1	2019.11.18	
THIRD ANGLE			DWG. NO. :		
			56170-268-C1		

ECO NO.	DATE	REVISION & DESCRIPTION	REVIEWED	CHECKED
△				
△				

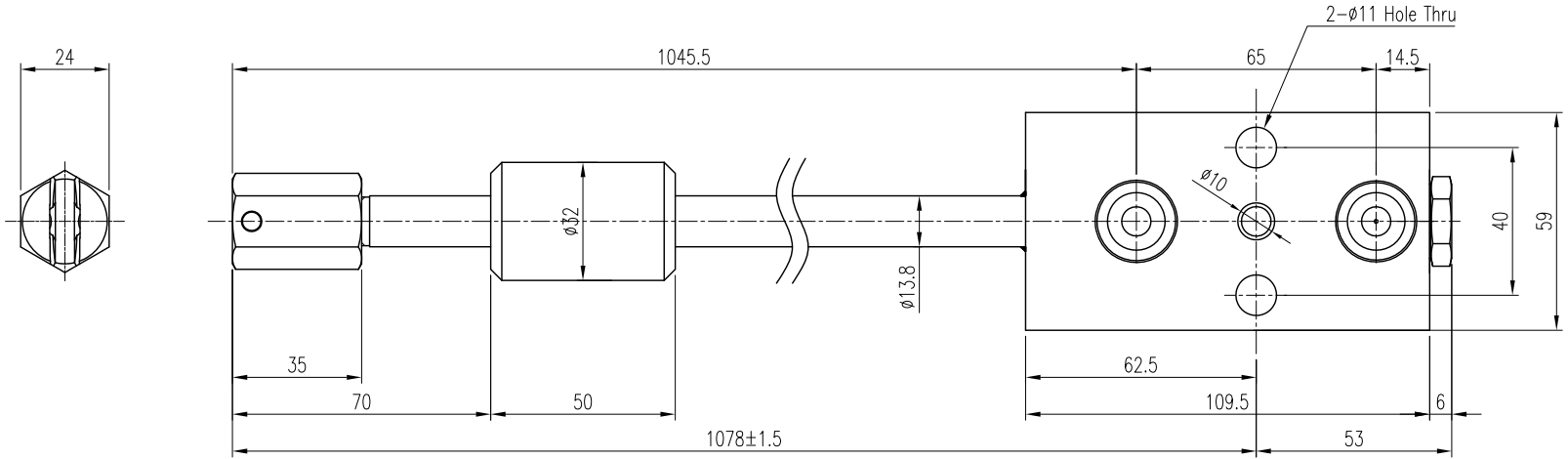
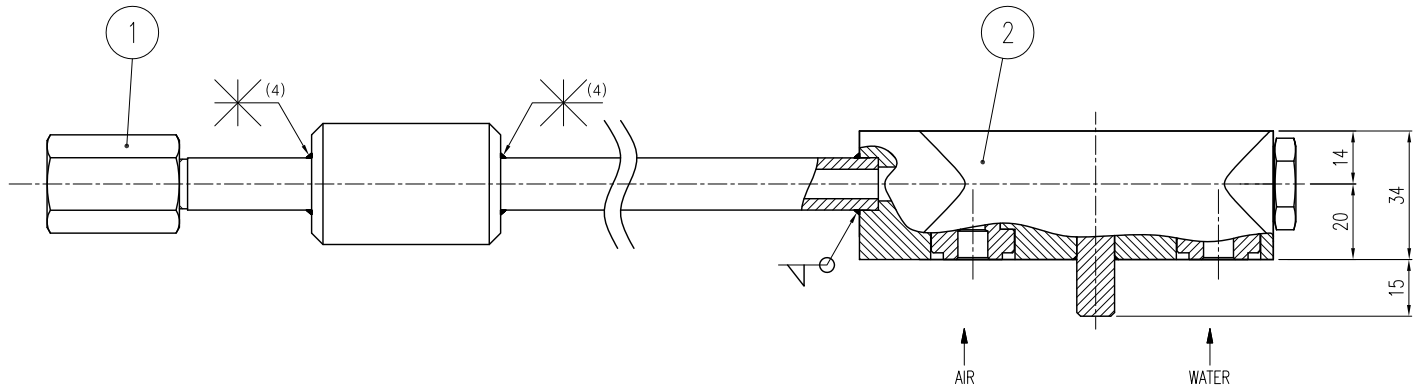


3/8 KSHR 019180 X 2H

SPECIFICATION	
PRESSURE (XXX) (bar)	SPRAY ANGLE (±7°) (XXX)~(XXX)~(XXX) (XXXX)~(XXXX)~(XXXX) CAPACITY (ℓ/min ±7%)

ITEM	DESCRIPTION	SIZE	MATERIAL	Q'TY	REMARKS
1	NOZZLE	-	SS	1	
DESC.	KCJ170269-SS CASTERJET		CUSTOMER :		
APP BY.	CH BY.	DES BY.	PRODUCT NAME :		
J.H.JUNG	T.H.JUNG	C.W.LEE			
 Spraying Systems Co., Korea Expert in Spray Technology			SCALE :	CREATE DATE :	
			1:1	2019.11.15	
THIRD ANGLE			DWG. NO. :		
			56170-269-C1		

ECO NO.	DATE	REVISION & DESCRIPTION	REVIEWED	CHECKED



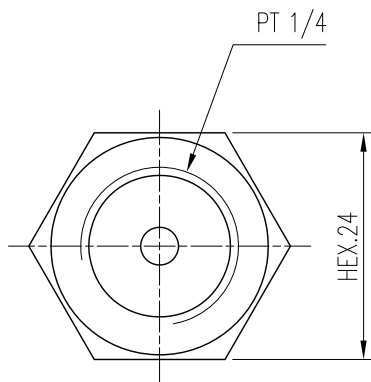
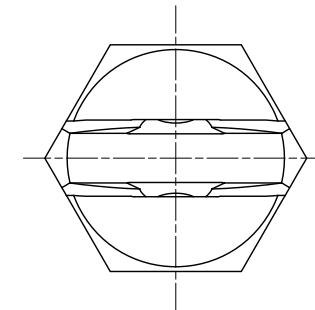
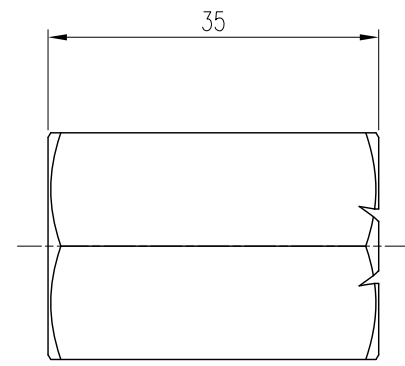
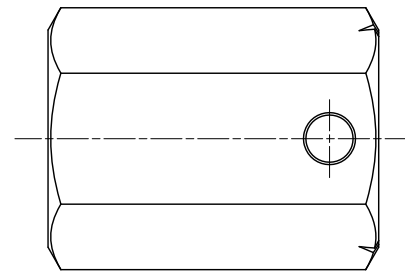
2	BODY	-	304SS	1	
1	NOZZLE	-	303SS	1	
ITEM	DESCRIPTION	SIZE	MATERIAL	Q'TY	REMARKS

DESC.	KCJ170274-SS CASTERJET		CUSTOMER :		
APP BY.	CH BY.	DES BY.	PRODUCT NAME :		
J.H.JUNG	J.H.JUNG	T.H.JUNG			

 Spraying Systems Co., Korea Expert in Spray Technology	SCALE :	CREATE DATE :
	1:1	2019.08.26
THIRD ANGLE	DWG. NO. :	
	56170-274-C1	

ZONE4 WIDE SIDE
1/4 KSAMK 044138X2

ECO NO.	DATE	REVISION & DESCRIPTION	REVIEWED	CHECKED
△				
△				



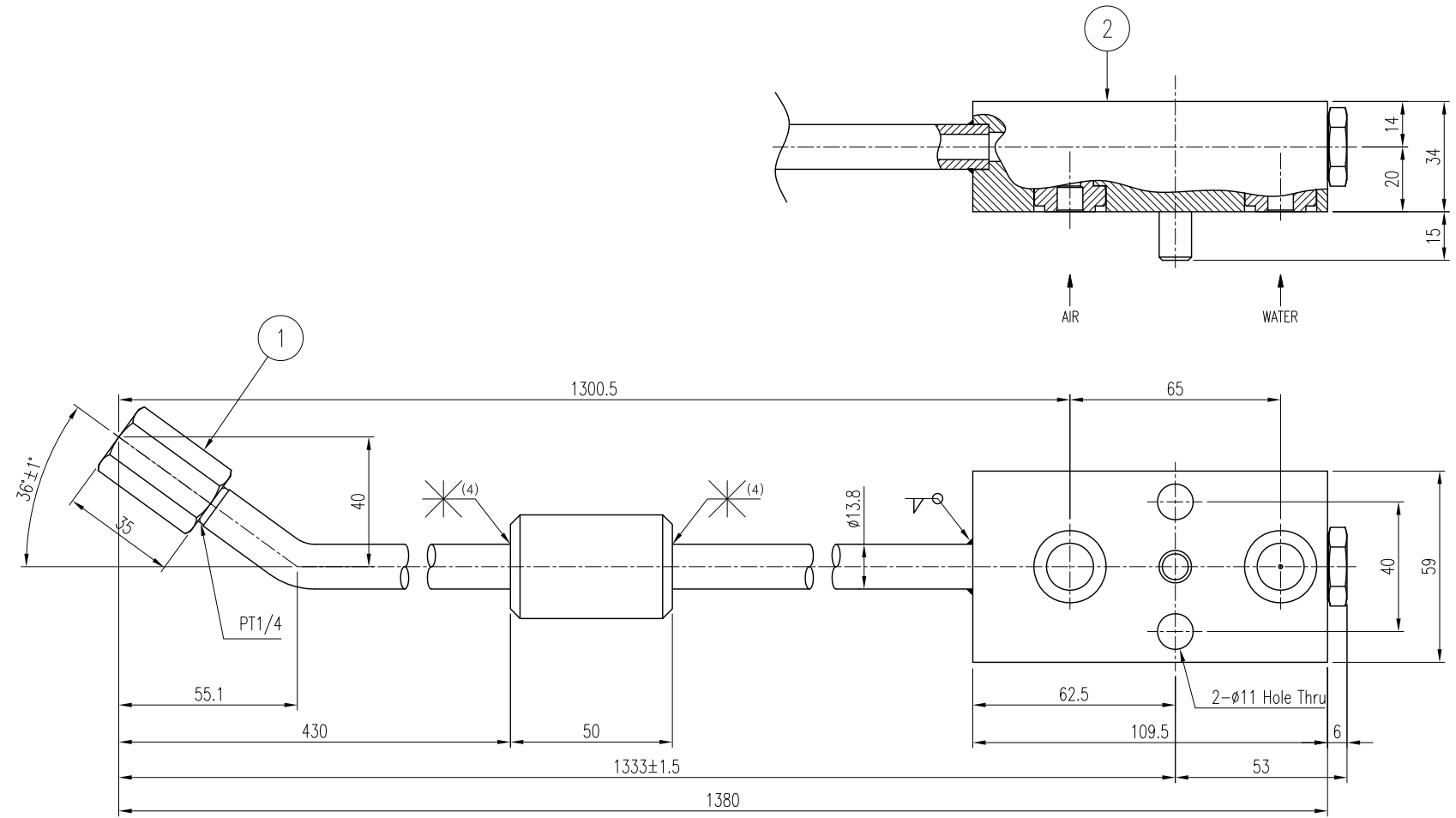
ZONE4 WIDE SIDE
1/4 KSAMK 044138X2 - NOZZLE TIP

지시와 용접치수	절삭가공치수의 지시와 일반치수 허용차 (KS B ISO2768-1 중급)					
	구분	0.5 이상 3 이하	3 을초과 6 이하	6 을초과 30 이하	30 을초과 120 이하	120 을초과 400 이하
	허용차	±0.1	±0.1	±0.2	±0.3	±0.5
지시와 모서리부분	SURFACE ROUGHNESS (KS B 0617)					
C=	다듬질기호	▽	▽▽	▽▽▽	▽▽▽▽	▽▽▽▽▽
R=	Rmax	100S	25S	6.3S	0.8S	

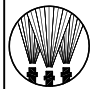
SPECIFICATION	
PRESSURE (XXX) (bar)	SPRAY ANGLE (±7°) (XXX)~(XXX)~(XXX)
	(XXXX)~(XXXX)~(XXXX) CAPACITY (ℓ/min ±7%)

ITEM	DESCRIPTION	SIZE	MATERIAL	Q'TY	REMARKS
1	NOZZLE(K170274-SS)	-	SS	1	
DESC.	KCJ170274-SS CASTERJET		CUSTOMER :		
APP BY.	CH BY.	DES BY.	PRODUCT NAME :		
J.H.JUNG	T.H.JUNG	C.W.LEE			
 Spraying Systems Co., Korea Experts in Spray Technology			SCALE :	CREATE DATE :	
			1:1	2019.12.18	
			THIRD ANGLE	DWG. NO. :	
				56170-274-M1	

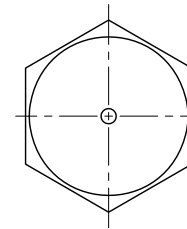
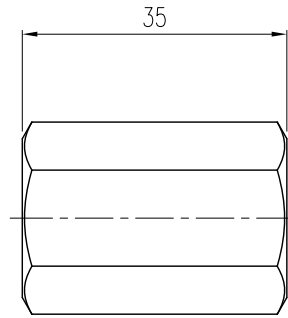
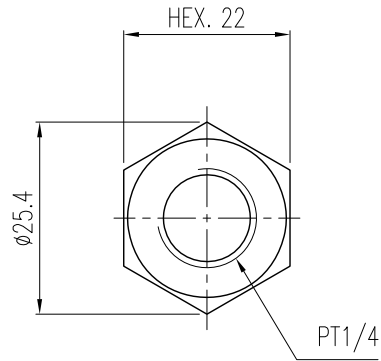
ECO NO.	DATE	REVISION & DESCRIPTION	REVIEWED	CHECKED
△				
△				



ZONE4 ~ 10 NARROW SIDE
1/4 KSAMF 0339

2	BODY	-	304SS	1	
1	NOZZLE TIP	-	303SS	1	
ITEM	DESCRIPTION	SIZE	MATERIAL	Q'TY	REMARKS
DESC. KCJ170275-SS CASTERJET		CUSTOMER :			
APP BY. J.H.JUNG	CH BY. T.H.JUNG	DES BY. C.W.LEE	PRODUCT NAME :		
 Spraying Systems Co., Korea Expert in Spray Technology			SCALE : 1:1	CREATE DATE : 2019.12.24	
			THIRD ANGLE	DWG. NO. : 56170-275-C1	

ECO NO.	DATE	REVISION & DESCRIPTION	REVISED	CHECKED
△				
△				



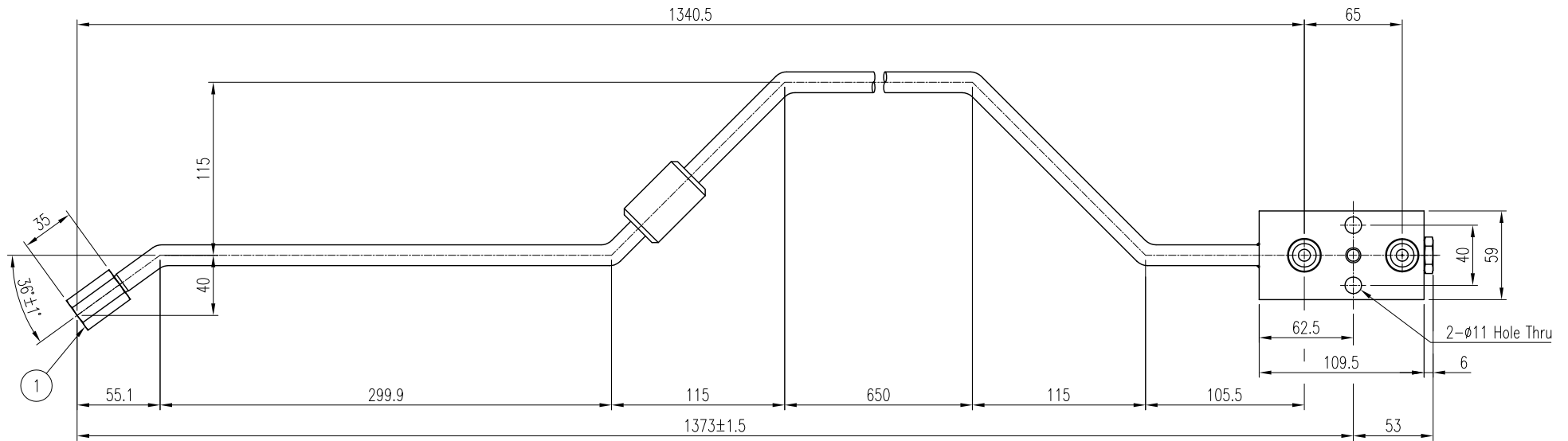
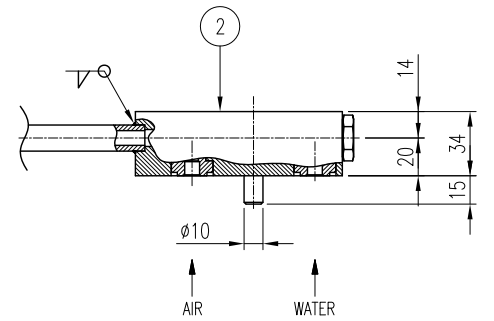
ZONE4 ~ 10 NARROW SIDE
1/4 KSAMF 0339 - NOZZLE TIP

지시외 용접치수	절삭가공치수의 지시외 일반치수 허용차 (KS B ISO2768-1 중급)					
	구분	0.5 이상 3 이하	3 을초과 6 이하	6 을초과 30 이하	30 을초과 120 이하	120 을초과 400 이하
	허용차	±0.1	±0.1	±0.2	±0.3	±0.5
지시외 모서리부분	SURFACE ROUGHNESS (KS B 0617)					
C=	다듬질기호	▽	▽▽	▽▽▽	▽▽▽▽	▽▽▽▽▽
R=	Rmax	100S	25S	6.3S	0.8S	

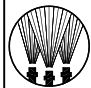
SPECIFICATION	
PRESSURE (XXX) (bar)	SPRAY ANGLE (±7°) (XXX)~(XXX)~(XXX)
	(XXXX)~(XXXX)~(XXXX) CAPACITY (ℓ/min ±7%)

ITEM	DESCRIPTION	SIZE	MATERIAL	Q'TY	REMARKS
1	NOZZLE TIP(K170275-SS)	-	SS	1	
DESC.	KCJ170275-SS CASTERJET		CUSTOMER :		
APP BY.	CH BY.	DES BY.	PRODUCT NAME :		
J.H.JUNG	T.H.JUNG	S.H.LEE			
 Spraying Systems Co., Korea Experts in Spray Technology			SCALE :	CREATE DATE :	
			1:1	2019.06.28	
			THIRD ANGLE	DWG. NO. :	
				56170-275-M1	

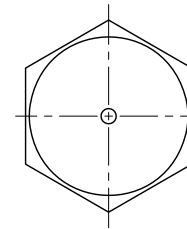
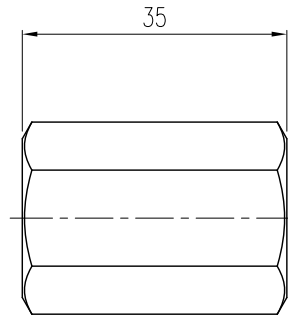
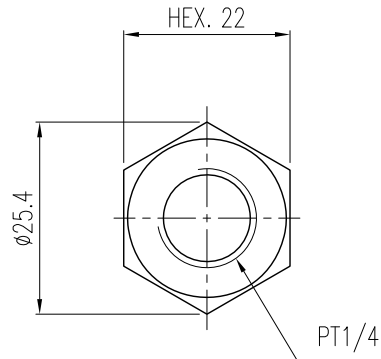
ECO NO.	DATE	REVISION & DESCRIPTION	REVIEWED	CHECKED
△				
△				



ZONE4 ~ 10 NARROW SIDE
1/4 KSAMF 0339

2	BODY	-	304SS	1	
1	NOZZLE TIP	-	303SS	1	
ITEM	DESCRIPTION	SIZE	MATERIAL	Q'TY	REMARKS
DESC. KCJ170276-SS		CUSTOMER :			
CASTERJET					
APP BY.	CH BY.	DES BY.	PRODUCT NAME :		
J.H.JUNG	T.H.JUNG	C.W.LEE			
 Spraying Systems Co., Korea Expert in Spray Technology			SCALE : 1:4	CREATE DATE : 2019.12.24	
			THIRD ANGLE	DWG. NO. : 56170-276-C1	

	ECO NO.	DATE	REVISION & DESCRIPTION	REVISED	CHECKED
△					
△					



ZONE4 ~ 10 NARROW SIDE
1/4 KSAMF 0339 - NOZZLE TIP

지시외 용접치수	절삭가공치수의 지시외 일반치수 허용차 (KS B ISO2768-1 중급)					
	구분	0.5 이상 3 이하	3 을초과 6 이하	6 을초과 30 이하	30 을초과 120 이하	120 을초과 400 이하
	허용차	±0.1	±0.1	±0.2	±0.3	±0.5
지시외 모서리부분	SURFACE ROUGHNESS (KS B 0617)					
C=	다듬질기호	▽	▽▽	▽▽▽	▽▽▽▽	▽▽▽▽▽
R=	Rmax	100S	25S	6.3S	0.8S	

SPECIFICATION

PRESSURE
(XXX)
(bar)

SPRAY ANGLE (±7°)
(XXX)~(XXX)~(XXX)
(XXXX)~(XXXX)~(XXXX)
CAPACITY (ℓ/min ±7%)

1	NOZZLE TIP(K170276-SS)	-	SS	1	
ITEM	DESCRIPTION	SIZE	MATERIAL	Q'TY	REMARKS
DESC.	KCJ170276-SS CASTERJET		CUSTOMER :		
APP BY.	CH BY.	DES BY.	PRODUCT NAME :		
J.H.JUNG	T.H.JUNG	S.H.LEE			
 Spraying Systems Co., Korea Experts in Spray Technology			SCALE :	CREATE DATE :	
			1:1	2019.06.28	
			THIRD ANGLE	DWG. NO. :	
				56170-276-M1	