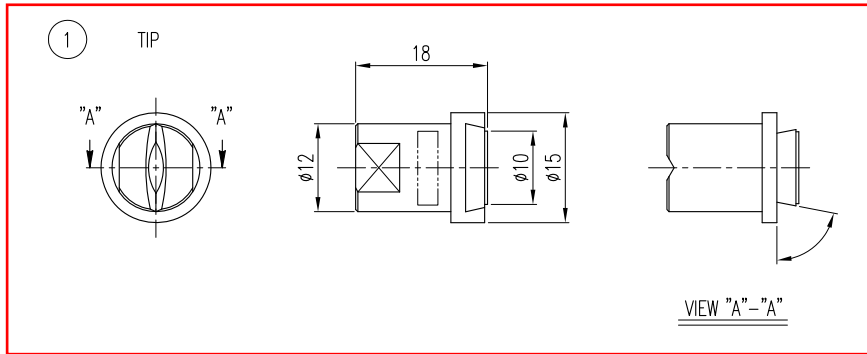
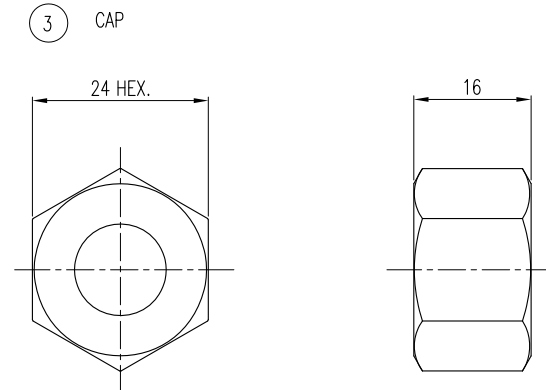
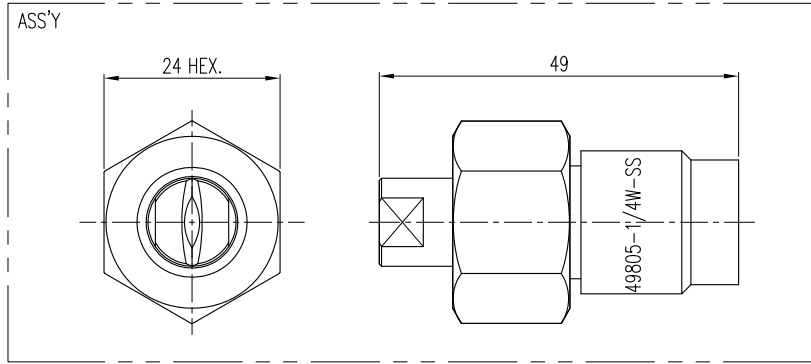
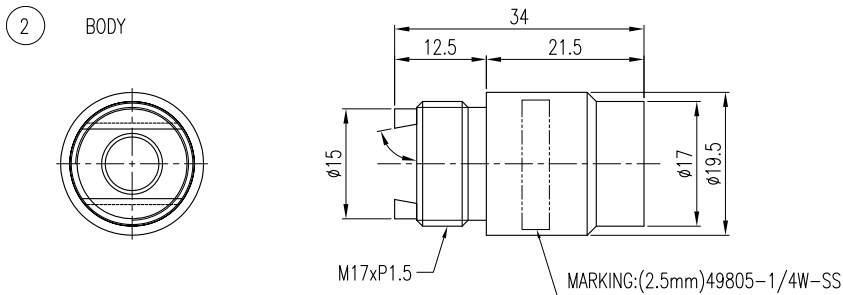


CHECK LIST					ECO NO.	DATE	REVISION & DESCRIPTION	REVWED	CHECKED
LENGTH	ITEM NAME	CONNECTOR	CAPACITY						
WIDTH	MARKING	ORIFICE	COMMENT						



**ORDERING INFO**

SPRAY NOZZLE TIP			
49807	- SS -	60	20
Nozzle Tip Type	Material (SUS303)	SPEC. (각도)	SPEC. (용량크기)



3	CAP(KCA167042-SS)	SUS303		
2	BODY(KBO167042-304SS)	SUS304		
1	TIP(KDTP____-SS 167042)	SUS303		
ITEM	COMPONENT	MATERIAL	Q'TY	REMARKS
DESC.	KDT167042-SS____ DOVE TAIL NOZZLE	CUSTOMER : _____		


지시의 용접치수 절삭가공치수의 지시와 일반치수 허용차 (KS B ISO2768-1 중급)

구분	0.5 이상 3 이하	3 을초과 6 이하	6 을초과 30 이하	30 을초과 120 이하	120 을초과 400 이하
허용차	±0.1	±0.1	±0.2	±0.3	±0.5

지시와 모서리부분	SURFACE ROUGHNESS (KS B 0617)					
C=	다듬질기호	~	▽	▽▽	▽▽▽	▽▽▽▽
R=	Rmax		100S	25S	6.3S	0.8S

**SPECIFICATION**

PRESSURE (XXX) (kg/cm <sup>2</sup> )	SPRAY ANGLE (±7°)
	(xxx)~(xxx)~(xxx)
	(XXX)~(XXX)~(XXX)
	CAPACITY (ℓ/min ±7%)


**Spraying Systems Co., Korea**  
 Experts in Spray Technology

APP BY.	CH BY.	DES BY.	PRODUCT NAME :
B.S.KIM	J.M.LEE	H.D.KIM	XXXXXX
SCALE :	CREATE DATE :		
1:1	2016.05.26		
THIRD ANGLE	DWG. NO. :		
	56167-042-A1		



# LUBRICATION / COOLING STRIP WASH-OFF

18897 Dovetail **VeeJet®**

## PERFORMANCE - 18897 DOVETAIL NOZZLES

\*압력 단위는 bar

Spray Tip No.		Equiv. Orifice Dia. (mm)	Capacity (Liters per minute)*							Spray Angle Degree*	
Spray Tip Prefix	Spray Tip Size		0.5	1	2	4	6	8	10	3	5
49807-	6020	2.8	3.2	4.6	6.4	9.1	11.2	12.9	14.4	65	72
	6025	3.2	4.0	5.7	8.1	11.4	14.0	16.1	18.0	65	72
	6030	3.6	4.8	6.8	9.7	13.7	16.7	19.3	22	65	72
	6040	4.0	6.4	9.1	12.9	18.2	22	26	29	65	72
	6050	4.4	8.1	11.4	16.1	23	28	32	36	65	73
	6060	4.8	9.7	13.7	19.3	27	33	39	43	65	73
	6080	5.6	12.9	18.2	26	36	45	52	58	65	74
	60100	6.4	16.2	23	32	46	56	64	72	65	72
	60120	6.8	19.3	27	39	55	67	77	86	65	69
60200	8.7	32	46	64	91	112	129	144	65	69	
49807-	8020	2.8	3.2	4.6	6.4	9.1	11.2	12.9	14.4	80	83
	8025	3.2	4.0	5.7	8.1	11.4	14.0	16.1	18.0	80	84
	8030	3.6	4.8	6.8	9.7	13.7	16.7	19.3	22	80	84
	8040	4.0	6.4	9.1	12.9	18.2	22	26	29	80	85
	8050	4.4	8.1	11.4	16.1	23	28	32	36	80	85
	8060	4.8	9.7	13.7	19.3	27	33	39	43	80	86
	8080	5.6	12.9	18.2	26	36	45	52	58	80	89
	80120	6.8	19.3	27	39	55	67	77	86	80	83
80200	8.7	32	46	64	91	112	129	144	80	82	
49807-	11020	2.8	3.2	4.6	6.4	9.1	11.2	12.9	14.4	110	117
	11025	3.2	4.0	5.7	8.1	11.4	14.0	16.1	18.0	110	117
	11030	3.6	4.8	6.8	9.7	13.7	16.7	19.3	22	110	117
	11040	4.0	6.4	9.1	12.9	18.2	22	26	29	110	117
	11050	4.4	8.1	11.4	16.1	23	28	32	36	110	117
	11060	4.8	9.7	13.7	19.3	27	33	39	43	110	116
	11080	5.6	12.9	18.2	26	36	45	52	58	110	116
	110120	6.8	19.3	27	39	55	67	77	86	110	116
110200	8.7	32	46	64	91	112	129	144	110	116	



**Spraying Systems Co.®**  
Experts in Spray Technology

VISIT OUR WEB SITE: [WWW.SPRAY.CO.KR](http://WWW.SPRAY.CO.KR)  
EMAIL: [INFO@SPRAY.CO.KR](mailto:INFO@SPRAY.CO.KR)