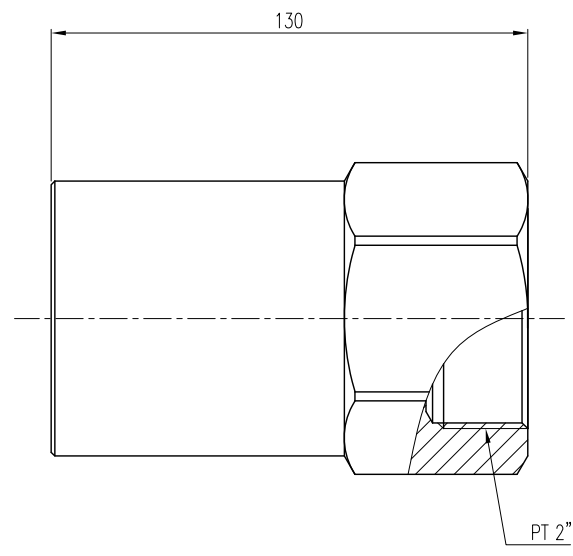
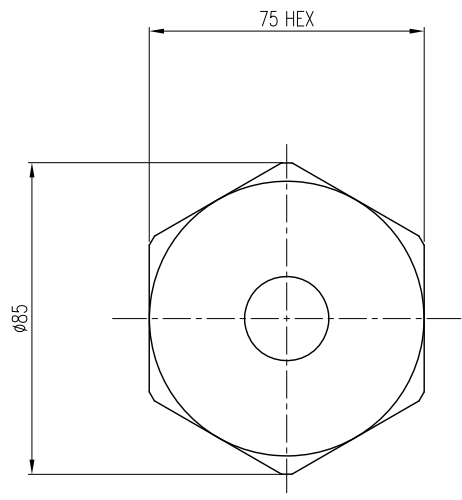


ECO NO.	DATE	REVISION & DESCRIPTION	REVWED	CHECKED



SPECIFICATION				
Nozzle Inlet Conn. PT	Water Pressure (bar)	Water Flow Rate (L/Min)	Spray Angle	Material
2"	3	400	70°	SUS304

1	NOZZLE	-	SUS304	1	
ITEM	DESCRIPTION	SIZE	MATERIAL	Q'TY	REMARKS
DESC.	KHB2H-304SS40070-01 FULLCONE				CUSTOMER :
APP BY.	CH BY.	DES BY.	PRODUCT NAME :		
J.H.YOU	J.H.JUNG	Y.M.KO			
 Spraying Systems Co., Korea Expert in Spray Technology		SCALE :	CREATE DATE :		
		1:2	2019.02.11		
		THIRD ANGLE	DWG. NO. :		
			56024-049-C1		