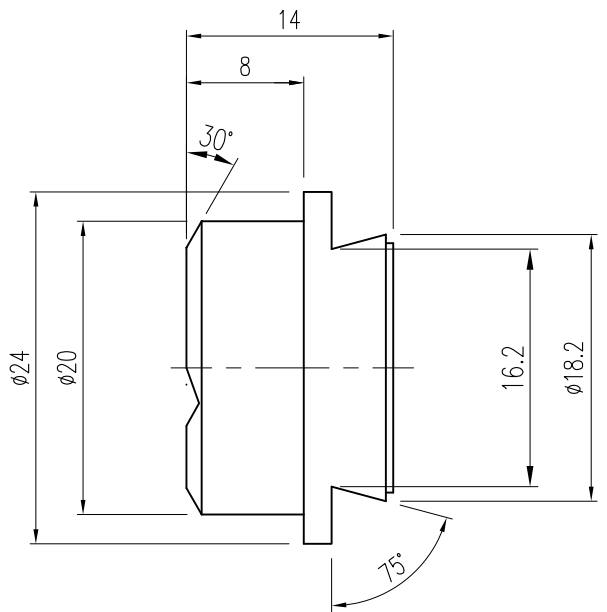
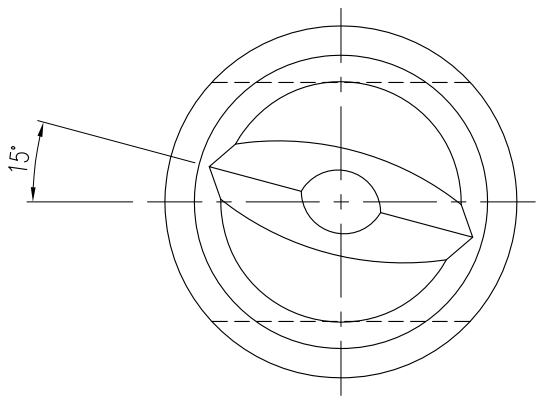


	ECO NO.	DATE	REVISION & DESCRIPTION	REVISED	CHECKED
△					
△					



Spray Angle at 3 bar	NOZZLE TYPE	Capacity Size	유량 (l/min) (3BAR)	주문번호 (각도)(용량)
	KDTP18897			
60°	1/4			
	●	20	7.9	<b>KDTP18897-6020-SS</b>
	●	30	11.8	<b>KDTP18897-6030-SS</b>

DESC.	K18897-____-__		CUSTOMER :	
	DOVE TAIL VEEJET			
APP BY.	CH BY.	DES BY.	PRODUCT NAME :	
J.H.YOU	J.H.JUNG	Y.M.KO		
SCALE :		CREATE DATE :		
(2:1)		2018.05.16		
THIRD ANGLE		DWG. NO. :		
⊕		56167-104-C1		



**Spraying Systems Co., Korea**  
Experts in Spray Technology