

NOZZLE No.	INLET CONN.	CAPACITY GALLONS PER HOUR (LITERS PER HOUR)					SPRAY ANGLE			VINYL CAP COLOR
		20 PSI (1.5 bar)	40 PSI (3 bar)	100 PSI (7 bar)	150 PSI (10 bar)	200 PSI (14 bar)	40 PSI (3 bar)	100 PSI (7 bar)	200 PSI (14 bar)	
1/8SF-CE1	1/8" NPT (M)	0.45 (1.8)	0.63 (2.5)	1.0 (3.8)	1.2 (4.5)	1.4 (5.4)	110°	110°	100°	RED
B1/8SF-CE1	1/8" BSPT (M)	0.45 (1.8)	0.63 (2.5)	1.0 (3.8)	1.2 (4.5)	1.4 (5.4)	110°	110°	100°	RED
1/8SF-CE2	1/8" NPT (M)	0.90 (3.5)	1.3 (5.0)	2.0 (7.6)	2.4 (9.1)	2.8 (10.8)	105°	105°	100°	YELLOW
B1/8SF-CE2	1/8" BSPT (M)	0.90 (3.5)	1.3 (5.0)	2.0 (7.6)	2.4 (9.1)	2.8 (10.8)	105°	105°	100°	YELLOW
1/8SF-CE3	1/8" NPT (M)	1.3 (5.3)	1.9 (7.5)	3.0 (11.4)	3.7 (13.7)	4.2 (16.2)	110°	110°	100°	GREEN
B1/8SF-CE3	1/8" BSPT (M)	1.3 (5.3)	1.9 (7.5)	3.0 (11.4)	3.7 (13.7)	4.2 (16.2)	110°	110°	100°	GREEN

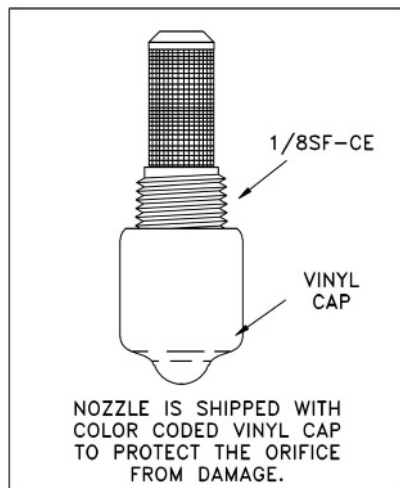
**MATERIAL** – CELCON® WITH STAINLESS STEEL SCREEN (200 MESH)


**FEATURES:**

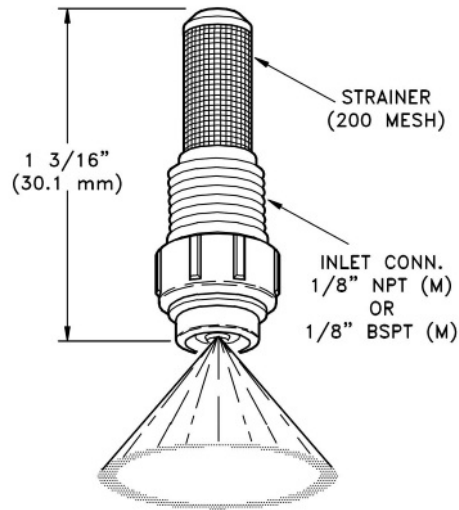
- CELCON® CONSTRUCTION MINIMIZES MINERAL BUILD-UP IN FLOW PASSAGES OF SPRAY NOZZLE.
- MAXIMUM PRESSURE – 200 PSI (14 bar)
- MAXIMUM TEMPERATURE – 200° F (93° C)

**APPLICATIONS:**

- PRODUCE MISTING
- EVAPORATIVE COOLING
- POULTRY COOLING
- SEAFOOD CASE MISTING
- HOG AND CATTLE COOLING



<b>DESCRIPTION:</b> NO. 1/8SF-CE SPRAY FOGGER NOZZLE		 <b>Spraying Systems Co.®</b> Spray Nozzles and Accessories P.O. Box 7900 - Wheaton, IL 60189-7900
Rev. No. 4	Data Sheet No. 26170	
Ref.	SHEET OF	



NOZZLE No.	INLET CONN.	CAPACITY GALLONS PER HOUR (LITERS PER HOUR)					SPRAY ANGLE			VINYL CAP COLOR
		20 PSI (1.5 bar)	40 PSI (3 bar)	100 PSI (7 bar)	150 PSI (10 bar)	200 PSI (14 bar)	40 PSI (3 bar)	100 PSI (7 bar)	200 PSI (14 bar)	
1/8SM-CE1	1/8" NPT (M)	0.71 (2.8)	1.0 (3.9)	1.6 (6.0)	1.9 (7.2)	2.2 (8.5)	80°	75°	75°	WHITE
B1/8SM-CE1	1/8" BSPT (M)									
1/8SM-CE2	1/8" NPT (M)	1.4 (5.6)	2.0 (7.9)	3.2 (12.0)	3.9 (14.4)	4.5 (17.0)	80°	75°	75°	BLACK
B1/8SM-CE2	1/8" BSPT (M)									

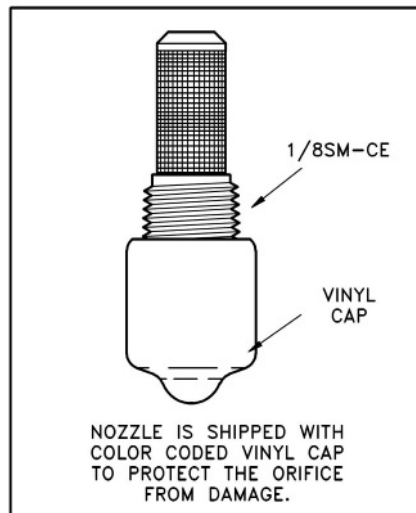
**MATERIAL** - CELCON® WITH STAINLESS STEEL SCREEN (200 MESH)

**FEATURES:**

- CELCON® CONSTRUCTION MINIMIZES MINERAL BUILD-UP IN FLOW PASSAGES OF SPRAY NOZZLE.
- MAXIMUM PRESSURE - 200 PSI (14 bar)
- MAXIMUM TEMPERATURE - 200° F (93° C)

**APPLICATIONS:**

- PRODUCE MISTING
- EVAPORATIVE COOLING
- POULTRY COOLING
- SEAFOOD CASE MISTING
- HOG AND CATTLE COOLING



**DESCRIPTION:**  
NO. 1/8SM-CE  
SPRAY MISTING NOZZLE



**Spraying Systems Co.®**

Spray Nozzles and Accessories  
P.O. Box 7900 - Wheaton, IL 60189-7900

Rev. No. 4

Data Sheet No.

26171

Ref.

SHEET OF