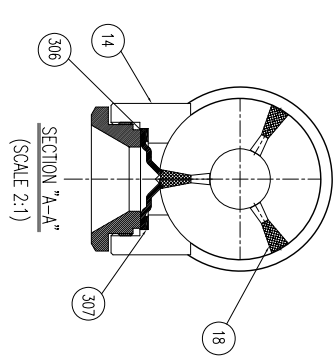
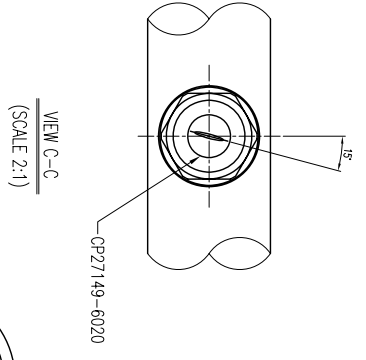
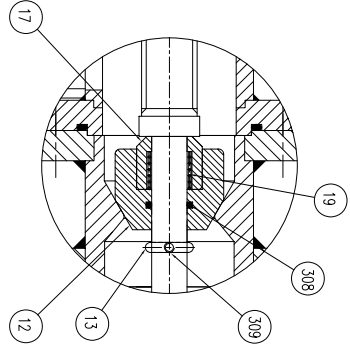
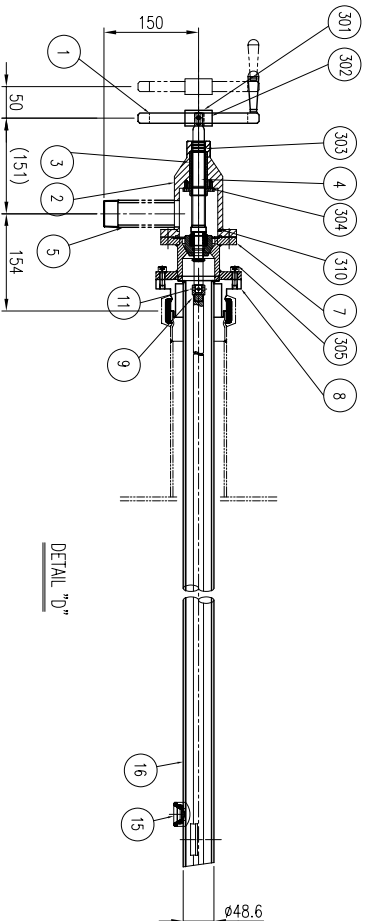
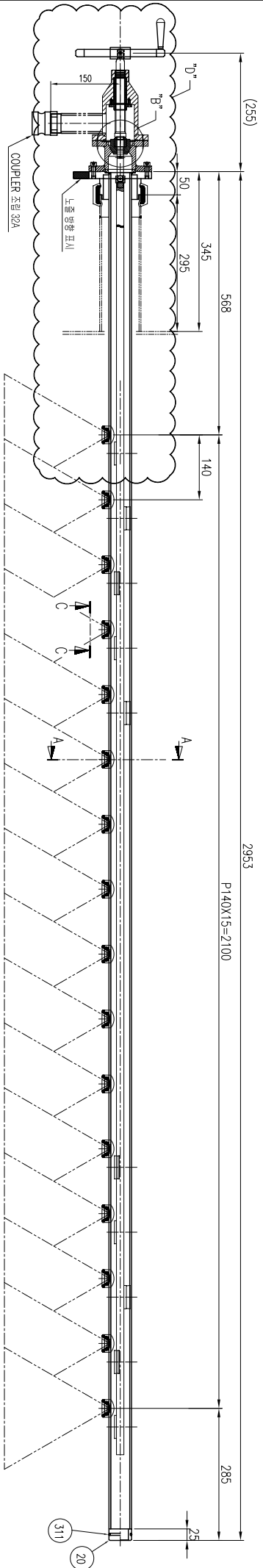


NO.	DATE	REVISION & DESCRIPTION	SIGNATURE
Δ			
Δ			



주문방법 :  
SCSH-2953L-40A-16NZ-6020-ST316

ITEM	COMPONENT	MATERIAL	QTY	REMARKS
21	INLET JOINT	SUS316L	1	
20	SPRING	SUS316	1	
19	BRUSH	SUS316L	16	
18	BACK-UP RING	SUS316L	1	
17	HEADER (PIPE 40A SCH40)	SUS316	1	
16	NOZZLE CAP	SUS316L	16	
15	NOZZLE BASE	SUS316L	16	
14	STOPPER PIN	SUS316L	1	
13	VALVE SEAL	TEFLON	1	
12	PIN	SUS316L	1	
11	BRUSH SHAFT(PPIPE 10A SCH40)	SUS316	1	
10	JOINT	SUS316L	1	
9	FLANGE	SUS316L	1	
8	VALVE BODY	SUS316L	1	
7	DRAIN-FLANGE	SUS316L	1	
6	OUT LET PIPE (PIPE 32A SCH40)	SUS316	1	
5	SHAFT	SUS316L	1	
4	SHAFT GUIDE	SUS316L	1	
3	BODY	SUS316L	1	
2	HANDLE	AL	1	

ITEM	COMPONENT	MATERIAL	QTY	REMARKS
311	P44 O-RING	VITON	1	
310	O-RING (G-65)	VITON	1	
309	SET BOLT (M4x4L)	SUS316	1	
308	O-RING (P-14)	VITON	1	
307	NOZZLE GASKET	TEFLON	16	
306	NOZZLE (27149-6020-316L-SS)	SUS316	16	
305	BOLT (HEX. M8x15)	SUS316	8	
304	BOLT (M.R. M8x12L)	SUS316	4	
303	O-RING (P-18)	VITON	3	
302	Set Bolt (M6x10L)	SUS316	2	
301	KEY (5x5x20L)	SUS316	1	

NO.	DESCRIPTION	MAT(KS)	UNIT	TOTAL	REMARKS
	POSSCO PLANT STS 소문산세공장				
	EQHAJIC FACILITY 1APL RINSE TANK SPRAY NOZZLE ASSY				
	DRAWN CHECKED REVENED APPROVED				
	USER SIGNA TUBE DATE				

0