



Spraying Systems Co.
Experts in Spray Technology



PAPER & TISSUE NOZZLE AUDITS FOR THE PAPER INDUSTRY

NOZZLES // MAINTENANCE



www.spray.com

RIALS · CHEMICAL · ENERGY · FOOD · **PAPER** · PHARMA · STEEL · AUTOMOTIVE · BUILDING MATERIALS · CHEMICAL · ENERGY
COOLING · **COATING** · DRYING · DUST CONTROL · FIRE PROTECTION · HUMIDIFICATION · LUBRICATION · MINING · TANK CLEANING
· TANK CLEANING · **SPRAY CONTROL** · AUTOMATED · DISINFECTION · SPRAY LANCES · ACCESSORIES · **NOZZLES** · SPRAY GUNS

1 UNDERSTANDING THE CHALLENGE //

In the paper manufacturing industry, efficiency and quality are paramount. However, many manufacturers face recurring challenges, such as nozzle wear, clogging, and inefficient spray patterns. These issues can lead to significant problems, including frequent downtime due to unexpected production halts caused by clogged or worn nozzles.

We offer a comprehensive line audit to ensure your operations run smoothly and sustainably. By collecting and analyzing data, we help keep your production efficient and reliable. With our extensive experience in nozzles and complete spray solutions, we have been a trusted partner in the industry for years.

2 THE AUDIT //

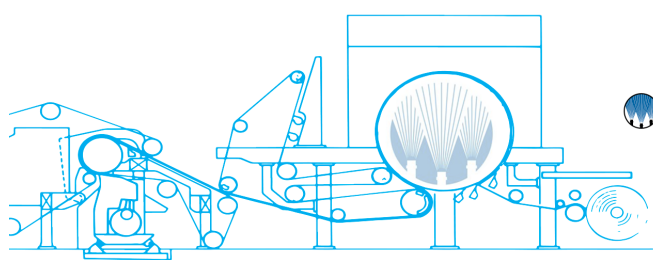
At Spraying Systems Co., we understand these challenges and offer a tailored solution through our comprehensive nozzle audit service. Our goal is to help you maintain peak efficiency, ensure consistent product quality, and reduce operational costs.

Our nozzle audit service includes taking precise measurements of all headers in the machine and documenting all nozzles mounted in the headers. After the audit, we deliver detailed reports on the nozzle status, providing initial calculations for potential water savings.

This documentation serves as a foundation to achieve a customized maintenance cycle, ensuring your system operates at its best.



Druck in Kpa	Rohrdurch	Düsensel	Düsentyr-Spraying System	Düsensdimension	Düsensabstz	Düsensstock	Bohrlänge	F5 Flansch	Mitte letz	Empfehlung
200	100	1	2000000000	200	100	100	100	100	100	
200	100	2	2000000000	200	100	100	100	100	100	
200	100	3	2000000000	200	100	100	100	100	100	
200	100	4	2000000000	200	100	100	100	100	100	
200	100	5	2000000000	200	100	100	100	100	100	
200	100	6	2000000000	200	100	100	100	100	100	
200	100	7	2000000000	200	100	100	100	100	100	
200	100	8	2000000000	200	100	100	100	100	100	
200	100	9	2000000000	200	100	100	100	100	100	
200	100	10	2000000000	200	100	100	100	100	100	
200	100	11	2000000000	200	100	100	100	100	100	
200	100	12	2000000000	200	100	100	100	100	100	
200	100	13	2000000000	200	100	100	100	100	100	
200	100	14	2000000000	200	100	100	100	100	100	
200	100	15	2000000000	200	100	100	100	100	100	
200	100	16	2000000000	200	100	100	100	100	100	
200	100	17	2000000000	200	100	100	100	100	100	
200	100	18	2000000000	200	100	100	100	100	100	
200	100	19	2000000000	200	100	100	100	100	100	
200	100	20	2000000000	200	100	100	100	100	100	
200	100	21	2000000000	200	100	100	100	100	100	
200	100	22	2000000000	200	100	100	100	100	100	
200	100	23	2000000000	200	100	100	100	100	100	
200	100	24	2000000000	200	100	100	100	100	100	
200	100	25	2000000000	200	100	100	100	100	100	
200	100	26	2000000000	200	100	100	100	100	100	
200	100	27	2000000000	200	100	100	100	100	100	
200	100	28	2000000000	200	100	100	100	100	100	
200	100	29	2000000000	200	100	100	100	100	100	
200	100	30	2000000000	200	100	100	100	100	100	
200	100	31	2000000000	200	100	100	100	100	100	
200	100	32	2000000000	200	100	100	100	100	100	
200	100	33	2000000000	200	100	100	100	100	100	
200	100	34	2000000000	200	100	100	100	100	100	
200	100	35	2000000000	200	100	100	100	100	100	
200	100	36	2000000000	200	100	100	100	100	100	
200	100	37	2000000000	200	100	100	100	100	100	
200	100	38	2000000000	200	100	100	100	100	100	
200	100	39	2000000000	200	100	100	100	100	100	
200	100	40	2000000000	200	100	100	100	100	100	
200	100	41	2000000000	200	100	100	100	100	100	
200	100	42	2000000000	200	100	100	100	100	100	
200	100	43	2000000000	200	100	100	100	100	100	
200	100	44	2000000000	200	100	100	100	100	100	
200	100	45	2000000000	200	100	100	100	100	100	
200	100	46	2000000000	200	100	100	100	100	100	
200	100	47	2000000000	200	100	100	100	100	100	
200	100	48	2000000000	200	100	100	100	100	100	
200	100	49	2000000000	200	100	100	100	100	100	
200	100	50	2000000000	200	100	100	100	100	100	
200	100	51	2000000000	200	100	100	100	100	100	
200	100	52	2000000000	200	100	100	100	100	100	
200	100	53	2000000000	200	100	100	100	100	100	
200	100	54	2000000000	200	100	100	100	100	100	
200	100	55	2000000000	200	100	100	100	100	100	
200	100	56	2000000000	200	100	100	100	100	100	
200	100	57	2000000000	200	100	100	100	100	100	
200	100	58	2000000000	200	100	100	100	100	100	
200	100	59	2000000000	200	100	100	100	100	100	
200	100	60	2000000000	200	100	100	100	100	100	
200	100	61	2000000000	200	100	100	100	100	100	
200	100	62	2000000000	200	100	100	100	100	100	
200	100	63	2000000000	200	100	100	100	100	100	
200	100	64	2000000000	200	100	100	100	100	100	
200	100	65	2000000000	200	100	100	100	100	100	
200	100	66	2000000000	200	100	100	100	100	100	
200	100	67	2000000000	200	100	100	100	100	100	
200	100	68	2000000000	200	100	100	100	100	100	
200	100	69	2000000000	200	100	100	100	100	100	
200	100	70	2000000000	200	100	100	100	100	100	
200	100	71	2000000000	200	100	100	100	100	100	
200	100	72	2000000000	200	100	100	100	100	100	
200	100	73	2000000000	200	100	100	100	100	100	
200	100	74	2000000000	200	100	100	100	100	100	
200	100	75	2000000000	200	100	100	100	100	100	
200	100	76	2000000000	200	100	100	100	100	100	
200	100	77	2000000000	200	100	100	100	100	100	
200	100	78	2000000000	200	100	100	100	100	100	
200	100	79	2000000000	200	100	100	100	100	100	
200	100	80	2000000000	200	100	100	100	100	100	
200	100	81	2000000000	200	100	100	100	100	100	
200	100	82	2000000000	200	100	100	100	100	100	
200	100	83	2000000000	200	100	100	100	100	100	
200	100	84	2000000000	200	100	100	100	100	100	
200	100	85	2000000000	200	100	100	100	100	100	
200	100	86	2000000000	200	100	100	100	100	100	
200	100	87	2000000000	200	100	100	100	100	100	
200	100	88	2000000000	200	100	100	100	100	100	
200	100	89	2000000000	200	100	100	100	100	100	
200	100	90	2000000000	200	100	100	100	100	100	
200	100	91	2000000000	200	100	100	100	100	100	
200	100	92	2000000000	200	100	100	100	100	100	
200	100	93	2000000000	200	100	100	100	100	100	
200	100	94	2000000000	200	100	100	100	100	100	
200	100	95	2000000000	200	100	100	100	100	100	
200	100	96	2000000000	200	100	100	100	100	100	
200	100	97	2000000000	200	100	100	100	100	100	
200	100	98	2000000000	200	100	100	100	100	100	
200	100	99	2000000000	200	100	100	100	100	100	
200	100	100	2000000000	200	100	100	100	100	100	



- NOZZLE AUDIT -

Spraying Systems Co.
 Experts in Spray Technology

3 THE OUTCOME //

Our expert team visits your facility to conduct thorough on-site nozzle audits. We measure and evaluate every aspect of your spray systems, including:

- **Nozzle Condition:**
Checking for wear and tear, clogs, and other issues.
- **Spray Performance:**
Assessing spray patterns and coverage to ensure optimal operation.
- **System Efficiency:**
Identifying opportunities to improve efficiency and reduce waste.

Our detailed audits provide you with actionable insights & recommendations to enhance your spray performance.



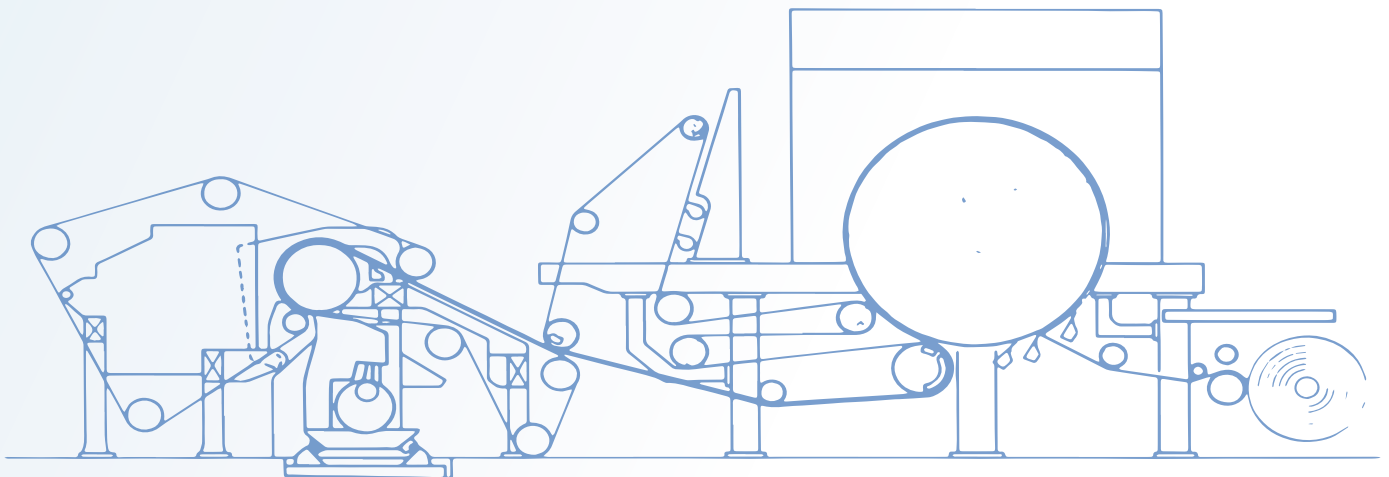
SPECIAL OFFER

Experience the benefits of our service with no initial investment!

We have a special campaign:

if you purchase nozzles within the first three months following your nozzle audit, you will receive a full refund for the audit, essentially getting the audit for free.

Discover how our professional maintenance can positively impact your production line risk-free.





4 THE GOAL //

Regular maintenance of these nozzles is crucial for ensuring optimal performance and longevity. At Spraying Systems Co., we offer comprehensive maintenance services to help you get the most out of your spray systems.



BENEFITS OF CUSTOMISED MAINTENANCE CYCLES

Optimal Performance and Longevity:

Routine maintenance ensures nozzles operate efficiently and last longer, reducing the need for frequent replacements, preventing costly downtime and ensuring continuous, reliable operation.

Preventing Quality and Material Loss:

Early detection of wear and tear helps avoid costly downtime & maintains high product quality through consistent spray patterns and precise application.

Cost Savings:

Keeping nozzles in top condition enhances the lifetime of wires and reduces probability of paper breaks, allowing you to focus on core operations.

CONTACT US


Explore the advantages of our precision spraying solutions and see how they can enhance your production line. Our technology aims to boost efficiency, reduce waste, and improve product quality.

For more information or to schedule a consultation with our technical specialists, visit our website at www.spray.com/en-eu. We're here to provide detailed insights, expert advice, and tailored solutions to meet your unique needs. Contact us today to start optimizing your production processes.

LANGUAGE SUPPORT

 info.uk@spray.com +44 1252 727200 //  info.de@spray.com +49 40 766 001 0 //  info.fr@spray.com +33 1 46 20 96 40

 info.es@spray.com +34 91 357 40 20 //  info.it@spray.com +39 02 38 34 181 //  info@spray.ae +971 4 326 7770

 We also offer support in Polish / Portuguese / Dutch / Swedish / Finnish / Romanian / Czech / Greek / Hungarian / Ukrainian
Local representatives on www.spray.com or contact Info.EU@spray.com