

# CLEANUP RETRACTING CLEANER



**FDA**  
compliant  
materials

CLEANER IS FLUSH TO THE  
TANK WALL IF NO PRESSURE IS  
APPLIED

## BENEFITS

- Cleaner retracts when not in use and won't affect the production process
- Space saving
- Cost-effective and environmentally friendly cleaning of small tanks and pipes
- Less maintenance due to fluid-driven reactionary force nozzle, no motor source needed to drive spray head
- Rotation and cleaning efficiency are not affected by different installation situations
- Suitable for high-temperature applications up to 130 °C
- ATEX-certified versions available

## SPECIFICATION

Max. tank diameter:	3 m
Operating principle:	Fluid-driven reactionary force
Flow rate:	9 to 40 l/min
Inlet connection:	Flange DN 40 DIN 32676-A-KK
Available sizes:	3.2 / 4.5 / 6 / 9
Recommended working pressure:	1 to 6 bar
Opening pressure:	> 0.3 bar
Max. temperature:	130 °C
Material:	316L stainless steel (1.4404); 316Ti (1.4571)
Surface Quality:	Standard or outer surface polished
Spray pattern type:	Ball-shaped distribution
Spray angle:	55°



Retracted position



**Spraying Systems Co.**  
Experts in Spray Technology

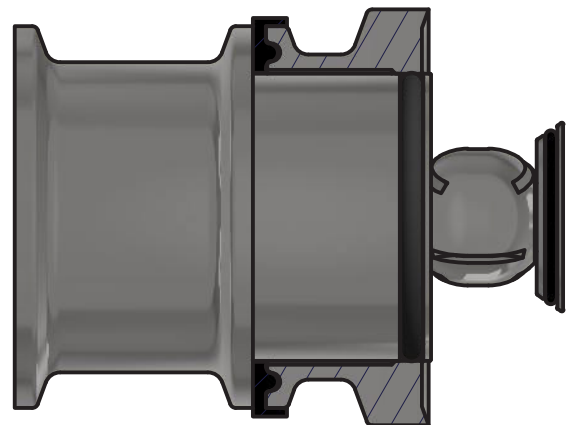
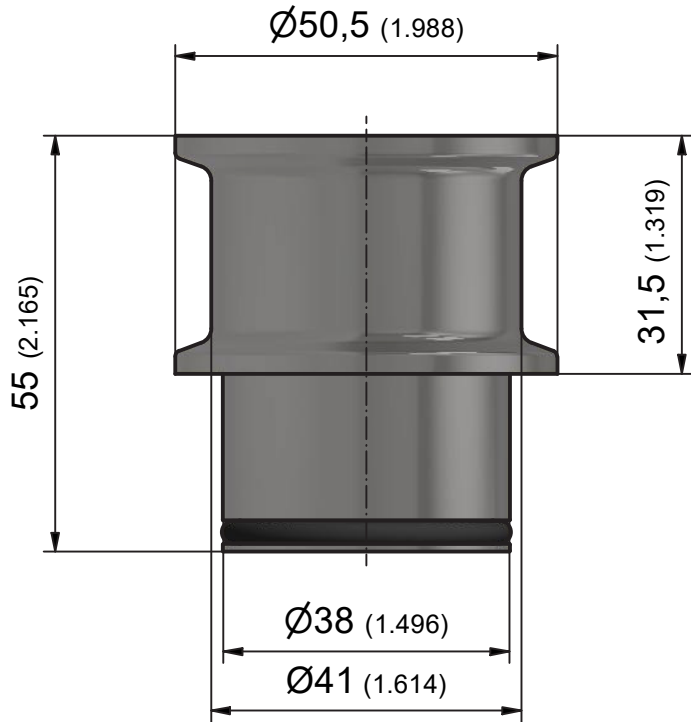
**SUSTAINABILITY.  
APPLIED.**



Find your local representative on [www.spray.com](http://www.spray.com)

## DIMENSIONS & SPECIFICATIONS

Download data sheet: [DS55567](#)  
 Video: [CleanUp D55567](#)



CleanUp/  
Weld-in flange

## ORDER INFO:

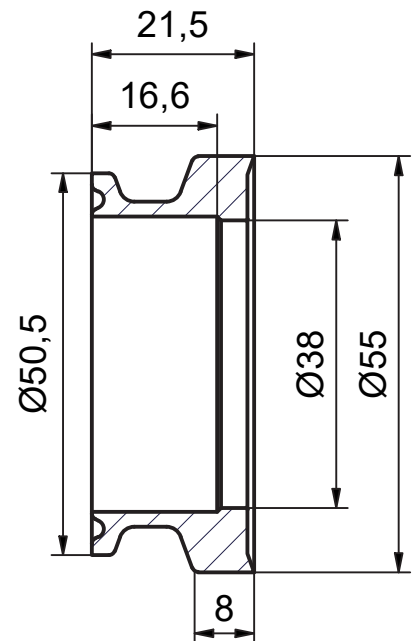
### EXAMPLE

**D55567-505A4-3.2** Standard surface, capacity 3.2

**D55567-505A4-3.2P-EX** Polished surface, ATEX certified

## ACCESSORIES:

- Weld-in flange (A4): CP-D55567-4-1.4404
- Gasket EPDM (FDA compliant): CP-D26536-0028
- Tri-Clamp (A2): CP-D41919-3001



Weld-in flange

MORE INFORMATION AVAILABLE ON [WWW.SPRAY.COM](http://WWW.SPRAY.COM)

