



Spraying Systems Co.
Experts in Spray Technology

MODULAR AIR ATOMIZING MANIFOLD

*Shown with anti-bearding spray set-up option

FOR PRECISION COATING APPLICATIONS

The patented modular air atomizing manifold is designed with a built in liquid recirculation line. This manifold offers a wide variety of spray set-ups to match the performance of 1/4J and 1/4 VMAU nozzles and is available with anti-bearding set-ups.

Sanitary flange inlet connections, threadless internal liquid/air chamber, and 20 microinch Ra MAX surface finish reduces contamination risk. Manufactured according to cGMP guidelines from sanitary FDA-compliant materials in an environment that exceeds industry standards for hygienic products.

BENEFITS

- Lightweight and disassembles in seconds saving time and money
- Polished 316/316L stainless steel and stain-resistant TecaPro® for easy cleaning
- Improved spray performance maximizes throughput and product quality
- Ideal for spraying viscous liquids
- Modular design provides flexibility for a wide variety of spray applications
- Can be used in batch or continuous processes
- Complete turnover package available with material test reports, welder certification and other relevant data
- Positive air cap alignment option (7° offset built in if requested)
- FDA gaskets replace o-rings between spacer blocks for ease of assembly/disassembly.

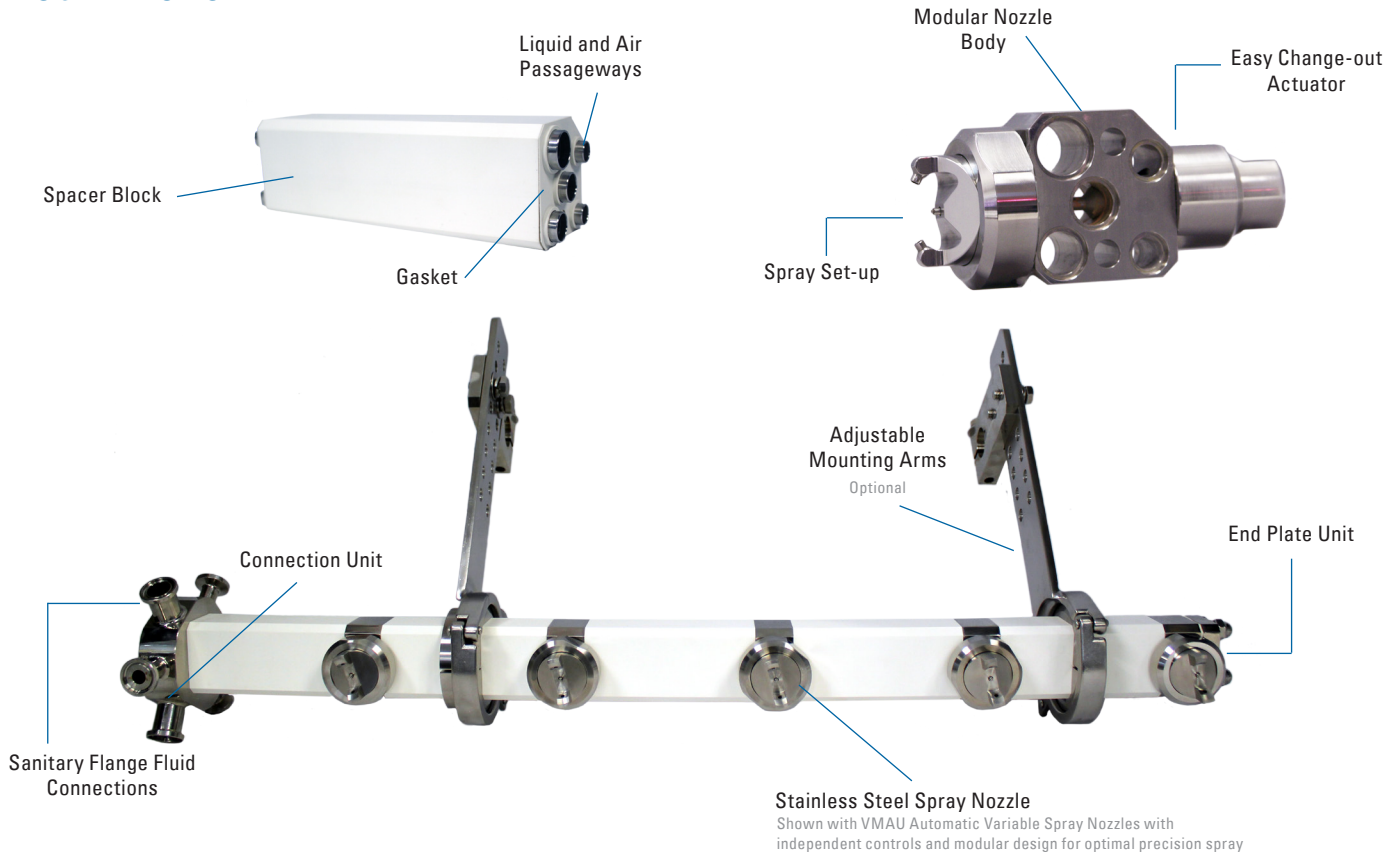
TYPICAL APPLICATIONS

- TABLET COATING
- NUTRACEUTICALS
- FOOD PRODUCT COATING

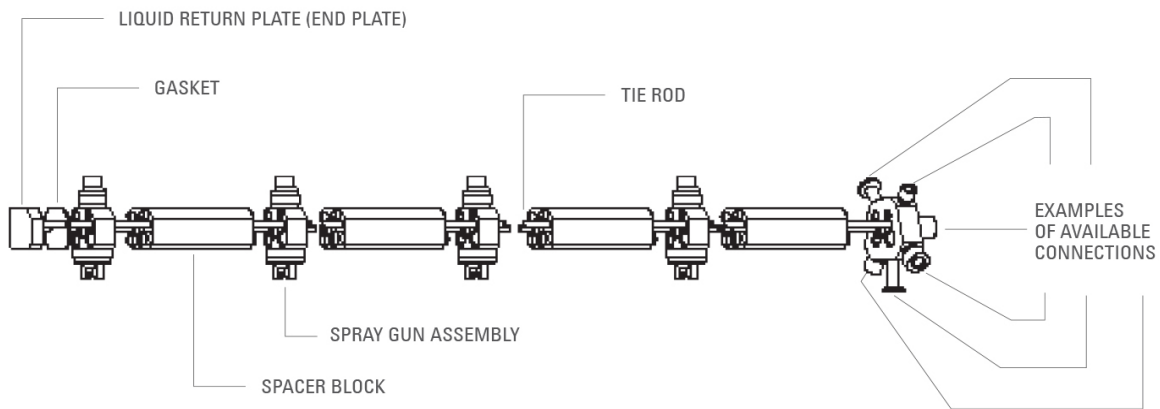


MODULAR AIR ATOMIZING MANIFOLD

DESCRIPTIONS



MODULAR AIR ATOMIZING MANIFOLD ASSEMBLY WITH VMAU NOZZLES



Spraying Systems Co.
Experts in Spray Technology

North Avenue and Schmale Road, P.O. Box 7900, Wheaton Illinois 60187 USA

Tel: 1.800.95.SPRAY Intl. Tel: 1.630.665.5000

Fax: 1.888.95.SPRAY Intl. Fax: 1.630.260.0842

www.spray.com



Bulletin No.562C Printed in the U.S.A. ©Spraying Systems Co. 2017