

SPRAY PERFORMANCE DATA

SPRAY PERFORMANCE DATA INTRODUCTION



SPRAY PERFORMANCE TO MEET YOUR APPLICATION NEEDS

The precise application of sprayed liquids is critical to many manufacturing and processing operations. Spray tips and spray set-ups that accurately control the flow rate, spray angle and spray pattern of automatic and air atomizing nozzles are found in this section. UniJet® spray tips are used with hydraulic automatic spray nozzles. An extensive range of air atomizing spray set-ups are also available, for use with both automatic and non-automatic spray nozzles. Spray tips and set-ups are available in a variety of materials. Each part is precision machined or molded for consistent performance.

OPTIMIZE PERFORMANCE WITH:



Liquid strainers and air filters reduce maintenance and extend nozzle life.
See page G4



Use pressure regulators to maintain consistent air and liquid pressures for consistent results.
See page G12



Drip Free™ spray set-ups ensure positive shut-off for selected air atomizing nozzles with shut-off needles.
See page D24-D42



SPRAY PERFORMANCE DATA TABLE OF CONTENTS

UNIJET® HYDRAULIC SPRAY TIPS

	PAGE
Quick Reference Guide	D4
<hr/>	
For PulsaJet® Series, JUAUH, JJAUH, AA22AUH, AA24AUA, AA26AUH, D55500-JAUH Series (except for 104210, 104214, 104215 and 0050)	
UniJet® TPU Flat Spray Tips	D6
<hr/>	
For PulsaJet 104210, 104214, 104215	
UniJet PWMD Premium Flat Spray Tips	D13
<hr/>	
For PulsaJet 0050	
UniJet PWMM Premium Flat Spray Tips	D13
<hr/>	
For JUAUH, JJAUH, AA22AUH, AA24AUA, AA26AUH, D55500-JAUH Series	
UniJet TP-TC Flat Spray Tips	D14
UniJet TG, TG-W Full Cone Tips	D18
UniJet TX Hollow Cone Tips	D19
UniJet TN Hollow Cone Tips	D20
UniJet TN-SSTC Hollow Cone Tips	D21

AIR ATOMIZING SPRAY SET-UPS

	PAGE
Quick Reference Guide	D22
<hr/>	
For Automatic Nozzles: 1/4JAUA, PulsaJet (JAU), AA29JAUCO, 10535 & D55500-JAU Series Nozzles Non-Automatic Nozzles: 1/4J Series	
Pressure Spray Set-Ups, Internal Mix	D24
Pressure Spray Set-Ups, External Mix	D30
Siphon/Gravity Spray Set-Ups, Internal Mix	D32
Siphon/Gravity Spray Set-Ups, External Mix	D33

For Automatic Nozzles: 1/8JJAU Series, PulsaJet (JJAU), AA28JJAU **Non-Automatic Nozzles: 1/8JJ Series**

Pressure Spray Set-Ups, Internal Mix	D35
Pressure Spray Set-Ups, External Mix	D39
Siphon/Gravity Spray Set-Ups, Internal Mix	D41
Siphon/Gravity Spray Set-Ups, External Mix	D42

For Automatic Nozzles: 10536 Series **Non-Automatic Nozzles: 1/2J Series**

Pressure Spray Set-Ups, Internal Mix	D43
Pressure Spray Set-Ups, External Mix	D47

For Non-Automatic Nozzles: 1J Series

Pressure Spray Set-Ups, Internal Mix	D49
Pressure Spray Set-Ups, External Mix	D52
Siphon/Gravity Spray Set-Ups, External Mix	D53

For Non-Automatic Nozzles: QuickMist® Series

Pressure Spray Set-Ups, Internal Mix	D54
Siphon/Gravity Spray Set-Ups, Internal Mix	D57

For Automatic Nozzles: VMAU, VAU Variable Spray Series **Non-Automatic Nozzles: VAA Series Variable Spray Series**

Pressure Spray Set-Ups, External Mix	D59
--------------------------------------	-----

For Automatic Nozzles: VX Variable Spray Series

Pressure Spray Set-Ups, External Mix	D64
--------------------------------------	-----

Numbering System

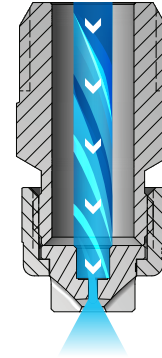
Air Caps Set-Ups and Fluid Caps	D70
---------------------------------	-----

Air Atomizing Set-Up Compatibility

Compatibility Charts	D72
----------------------	-----

OVERVIEW: UNIJET® HYDRAULIC SPRAY TIPS

- These tips provide hydraulic liquid atomizing for automatic nozzles
- Standard UniJet TPU Series tips available for flat spray patterns
- Tungsten carbide TP UniJet Series tips are used for high pressure spraying
- Premium UniJet PWMD Series and PWMM Series tips provide auto-alignment of flat spray patterns for selected PulsaJet® nozzles
- UniJet TG and TG-W Series tips provide full cone and wide angle spray patterns
- TX and TN Series tips provide hollow cone spray patterns
- TN-SSTC Series tips provide hollow cone spray patterns with fine spray atomization



UniJet Flat Spray Tips

As the liquid exits through the sharp V shape cut of the orifice, it forms into a flat spray pattern. The distribution is tapered from the center of the spray.

QUICK REFERENCE GUIDE

UniJet Tips	Nozzles	Spray Pattern	Spray Angle	Max Pressure (liquid)	Max Flow	Page Number
TPU tips	PulsaJet Series (except for 104210, 104214, 104215 and 0050) JAUH, JJAUH, AA22AUH, AA24AUA, AA26AUH, D55500-JAUH Series	Flat Spray	0° to 110°	500 psi (35 bar)	25 gpm (94 lpm)	D6
PWMD tips	PulsaJet 104210, 104214, 104215	Flat Spray	65° to 110°	100 psi (7 bar)	.47 gpm (1.78 lpm)	D12
PWMM tips	PulsaJet 0050	Flat Spray	0° to 110°	200 psi (14 bar)	.050 gpm (.189 lpm)	D13
TP-TC tips	JAUH, JJAUH, AA22AUH, AA24AUA, AA26AUH, D55500-JAUH Series	Flat Spray	5° to 110°	3000 psi (207 bar)	17.4 gpm (66 lpm)	D14
TG tips	JAUH, JJAUH, AA22AUH, AA24AUA, AA26AUH, D55500-JAUH Series	Full Cone	50° to 67°	150 psi (10 bar)	3.5 gpm (13 lpm)	D18
TG-W tips	JAUH, JJAUH, AA22AUH, AA24AUA, AA26AUH, D55500-JAUH Series	Full Cone Wide Angle	102° to 120°	80 psi (6 bar)	9.1 gpm (34 lpm)	D18
TX tips	JAUH, JJAUH, AA22AUH, AA24AUA, AA26AUH, D55500-JAUH Series	Hollow Cone	40° to 78°	400 psi (28 bar)	82 gpm (310 lpm)	D19
TN tips	JAUH, JJAUH, AA22AUH, AA24AUA, AA26AUH, D55500-JAUH Series	Hollow Cone	35° to 91°	1000 psi (70 bar)	130 gpm (492 lpm)	D20
TN-SSTC tips	JAUH, JJAUH, AA22AUH, AA24AUA, AA26AUH, D55500-JAUH Series	Hollow Cone	–	2000 psi (140 bar)	184 gpm (697 lpm)	D21

UNIJET® HYDRAULIC SPRAY TIPS OPTIONS

UniJet® Flat Spray Series

- Flat spray pattern with tapered edges provides uniform coverage when sprays overlap
- TPU Series for use with a variety of automatic spray nozzles
- TP-TC Series
 - High pressure capability provides higher impact
 - Erosion-resistant tungsten carbide orifice insert provides extended wear life
 - Excellent corrosion resistance
 - Tip orifice insert is recessed in a solid stainless steel tip body to protect against damage
 - For use with high pressure automatic spray nozzles

**Premium UniJet Flat Spray Series**

- Flat spray pattern with tapered edges provides uniform coverage when sprays overlap
- Automatic spray pattern alignment with 5° pattern offset when used with PulsaJet® nozzles
- PWM Series for use with selected PulsaJet® automatic spray nozzles
- PWMM Series for use with PulsaJet® 0050 automatic spray nozzles

**UniJet Full Cone Series**

- TG Series tips provide a full cone spray pattern
- TG-W Series tips provide wide angle full cone spray pattern
- For use with a variety of automatic spray nozzles

**UniJet Hollow Cone Series**

- TX Series and TN Series tips provide a hollow cone spray pattern
- For use with a variety of automatic spray nozzles
- TN-SSTC Series
 - High pressure capability for fine spray atomization
 - Erosion-resistant tungsten carbide orifice insert provides extended wear life
 - Excellent corrosion resistance
 - For use with high pressure automatic spray nozzles

**PLACING YOUR ORDER**

Call 1.630.665.5000 for application assistance
or to place an order.

UNIJET® TPU HYDRAULIC FLAT SPRAY TIPS

FOR PULSAJET® SERIES*, JAUH, JJAUH, AA22AUH, AA24AUA, AA26AUH, D55500-JAUH SERIES



**PERFORMANCE DATA:
UNIJET® TPU HYDRAULIC FLAT SPRAY TIPS**

Spray Angle at 3 bar	Capacity Size	Equiv. Orifice Dia. (mm)	Flow Rate Capacity (liters per minute)									Spray Angle (°)			
			0.4 bar	0.7 bar	1.5 bar	3 bar	6 bar	7 bar	15 bar	20 bar	35 bar	1.5 bar	3 bar	6 bar	15 bar
110°	0033	.38	—	—	.092	.13	.18	.20	.29	.34	.45	91	110	116	121
	0050	.46	—	—	.14	.20	.28	.30	.44	.51	.67	91	110	118	124
	0067	.53	—	—	.19	.26	.37	.40	.59	.68	.90	92	110	118	124
	01	.66	.14	.19	.28	.39	.56	.60	.88	1.0	1.3	94	110	121	124
	015	.81	.22	.29	.42	.59	.84	.90	1.3	1.5	2.0	97	110	121	124
	02	.89	.29	.38	.56	.79	1.1	1.2	1.8	2.0	2.7	98	110	120	123
	03	1.1	.43	.57	.84	1.2	1.7	1.8	2.6	3.1	4.0	99	110	120	123
	04	1.3	.58	.76	1.1	1.6	2.2	2.4	3.5	4.1	5.4	100	110	119	122
	05	1.4	.72	.95	1.4	2.0	2.8	3.0	4.4	5.1	6.7	100	110	118	122
	06	1.6	.86	1.1	1.7	2.4	3.4	3.6	5.3	6.1	8.1	101	110	117	122
	07	1.7	1.0	1.3	2.0	2.8	3.9	4.2	6.2	7.1	9.4	102	110	117	121
	08	1.8	1.2	1.5	2.2	3.2	4.5	4.8	7.1	8.2	10.8	102	110	117	121
	10	2.0	1.4	1.9	2.8	3.9	5.6	6.0	8.8	10.2	13.5	103	110	117	119
	12	2.2	1.7	2.3	3.4	4.7	6.7	7.2	10.6	12.2	16.2	103	110	117	119
	15	2.5	2.2	2.9	4.2	5.9	8.4	9.0	13.2	15.3	20	104	110	117	118
	20	2.8	2.9	3.8	5.6	7.9	11.2	12.1	17.7	20	27	105	110	117	118
	30	2.9	4.3	5.7	8.4	11.8	16.8	18.1	26	31	40	105	110	117	118
95°	01	.66	.14	.19	.28	.39	.56	.60	.88	1.0	1.3	81	95	105	113
	015	.81	.22	.29	.42	.59	.84	.90	1.3	1.5	2.0	82	95	105	113
	02	.89	.29	.38	.56	.79	1.1	1.2	1.8	2.0	2.7	82	95	105	113
	03	1.1	.43	.57	.84	1.2	1.7	1.8	2.6	3.1	4.0	83	95	104	111
	04	1.3	.58	.76	1.1	1.6	2.2	2.4	3.5	4.1	5.4	84	95	103	108
	05	1.4	.72	.95	1.4	2.0	2.8	3.0	4.4	5.1	6.7	84	95	102	107
	06	1.5	.86	1.1	1.7	2.4	3.4	3.6	5.3	6.1	8.1	86	95	101	106
	07	1.7	1.0	1.3	2.0	2.8	3.9	4.2	6.2	7.1	9.4	86	95	101	106
	08	1.8	1.2	1.5	2.2	3.2	4.5	4.8	7.1	8.2	10.8	87	95	100	105
	09	1.9	1.3	1.7	2.5	3.6	5.0	5.4	7.9	9.2	12.1	89	95	100	105
	10	2.0	1.4	1.9	2.8	3.9	5.6	6.0	8.8	10.2	13.5	89	95	100	105
	11	2.1	1.6	2.1	3.1	4.3	6.1	6.6	9.7	11.2	14.8	89	95	100	105
	12	2.2	1.7	2.3	3.4	4.7	6.7	7.2	10.6	12.2	16.2	89	95	100	105
	13	2.3	1.9	2.5	3.6	5.1	7.3	7.8	11.5	13.3	17.5	89	95	100	105
	14	2.4	2.0	2.7	3.9	5.5	7.8	8.4	12.4	14.3	18.9	89	95	100	105
	15	2.5	2.2	2.9	4.2	5.9	8.4	9.0	13.2	15.3	20	90	95	100	105
	16	2.5	2.3	3.1	4.5	6.3	8.9	9.6	14.1	16.3	22	90	95	100	105
	18	2.7	2.6	3.4	5.0	7.1	10.1	10.9	15.9	18.3	24	90	95	100	105
	20	2.8	2.9	3.8	5.6	7.9	11.2	12.1	17.7	20	27	90	95	100	105
	30	3.4	4.3	5.7	8.4	11.8	16.8	18.1	26	31	40	91	95	101	105
40	3.9	5.8	7.6	11.2	15.8	22	24	35	41	54	92	95	100	105	
50	4.4	7.2	9.5	14.0	19.7	28	30	44	51	67	93	95	99	103	
60	4.8	8.6	11.4	16.8	24	34	36	53	61	81	93	95	99	103	
70	5.2	10.1	13.3	19.5	28	39	42	62	71	94	93	95	99	103	

Other body types may be available. Contact your sales engineer for further information. **Highlighted column shows the rated pressure of the nozzles.**

*PulsaJet® Series (except for 104210, 104214, 104215 and 0050)



**PERFORMANCE DATA:
 UNIJET® TPU HYDRAULIC FLAT SPRAY TIPS**

Spray Angle at 3 bar	Capacity Size	Equiv. Orifice Dia. (mm)	Flow Rate Capacity (liters per minute)									Spray Angle (°)			
			0.4 bar	0.7 bar	1.5 bar	3 bar	6 bar	7 bar	15 bar	20 bar	35 bar	1.5 bar	3 bar	6 bar	15 bar
80°	0050	.46	–	–	.14	.20	.28	.30	.44	.51	.67	61	80	95	101
	0067	.53	–	.13	.19	.26	.37	.40	.59	.68	.90	67	80	94	99
	01	.66	–	.19	.28	.39	.56	.60	.88	1.0	1.3	68	80	89	92
	015	.81	–	.29	.42	.59	.84	.90	1.3	1.5	2.0	68	80	89	92
	02	.89	.29	.38	.56	.79	1.1	1.2	1.8	2.0	2.7	69	80	88	91
	03	1.1	.43	.57	.84	1.2	1.7	1.8	2.6	3.1	4.0	70	80	87	90
	04	1.3	.58	.76	1.1	1.6	2.2	2.4	3.5	4.1	5.4	71	80	86	89
	045	1.4	.65	.86	1.3	1.8	2.5	2.7	4.0	4.6	6.1	71	80	86	89
	05	1.4	.72	.95	1.4	2.0	2.8	3.0	4.4	5.1	6.7	71	80	86	89
	06	1.6	.86	1.1	1.7	2.4	3.4	3.6	5.3	6.1	8.1	72	80	85	88
	07	1.7	1.0	1.3	2.0	2.8	3.9	4.2	6.2	7.1	9.4	72	80	85	88
	08	1.8	1.2	1.5	2.2	3.2	4.5	4.8	7.1	8.2	10.8	72	80	84	87
	09	1.9	1.3	1.7	2.5	3.6	5.0	5.4	7.9	9.2	12.1	73	80	84	87
	10	2.0	1.4	1.9	2.8	3.9	5.6	6.0	8.8	10.2	13.5	73	80	84	87
	11	2.1	1.6	2.1	3.1	4.3	6.1	6.6	9.7	11.2	14.8	73	80	83	86
	12	2.2	1.7	2.3	3.4	4.7	6.7	7.2	10.6	12.2	16.2	73	80	83	86
	13	2.3	1.9	2.5	3.6	5.1	7.3	7.8	11.5	13.3	17.5	73	80	83	86
	14	2.4	2.0	2.7	3.9	5.5	7.8	8.4	12.4	14.3	18.9	73	80	83	86
	15	2.5	2.2	2.9	4.2	5.9	8.4	9.0	13.2	15.3	20	74	80	83	86
	16	2.5	2.3	3.1	4.5	6.3	8.9	9.6	14.1	16.3	22	74	80	83	86
17	2.6	2.5	3.2	4.7	6.7	9.5	10.3	15.0	17.3	23	74	80	83	86	
20	2.8	2.9	3.8	5.6	7.9	11.2	12.1	17.7	20	27	74	80	83	86	
25	3.1	3.6	4.8	7.0	9.9	14.0	15.1	22	25	34	74	80	83	86	
30	3.4	4.3	5.7	8.4	11.8	16.8	18.1	26	31	40	74	80	83	86	
40	3.9	5.8	7.6	11.2	15.8	22	24	35	41	54	74	80	83	86	
50	4.4	7.2	9.5	14.0	19.7	28	30	44	51	67	74	80	83	85	
60	4.8	8.6	11.4	16.8	24	34	36	53	61	81	75	80	83	85	
70	5.2	10.1	13.3	19.5	28	39	42	62	71	94	75	80	83	86	
73°	0023	.30	–	–	.064	.091	.13	.14	.20	.23	.31	50	73	89	97
	0039	.41	–	.074	.11	.15	.22	.24	.34	.40	.53	53	73	87	93
	0077	.58	–	.15	.21	.30	.43	.46	.68	.78	1.0	53	73	86	92
	0116	.71	.17	.22	.32	.46	.65	.70	1.0	1.2	1.6	54	73	85	90
	0154	.81	.22	.29	.43	.61	.86	.93	1.4	1.6	2.1	55	73	84	88
	0231	.96	.33	.44	.64	.91	1.3	1.4	2.0	2.4	3.1	56	73	83	87
	0308	1.1	.44	.59	.86	1.2	1.7	1.9	2.7	3.1	4.2	58	73	82	86
	0385	1.2	.56	.73	1.1	1.5	2.1	2.3	3.4	3.9	5.2	59	73	81	85
	0462	1.4	.67	.88	1.3	1.8	2.6	2.8	4.1	4.7	6.2	60	73	80	84
	0616	1.6	.89	1.2	1.7	2.4	3.4	3.7	5.4	6.3	8.3	63	73	79	83
	0770	1.8	1.1	1.5	2.1	3.0	4.3	4.6	6.8	7.8	10.4	64	73	77	82
	0924	1.9	1.3	1.8	2.6	3.6	5.2	5.6	8.2	9.4	12.5	65	73	77	80

Other body types may be available. Contact your sales engineer for further information. **Highlighted column shows the rated pressure of the nozzles.**

*PulsaJet® Series (except for 104210, 104214, 104215 and 0050)



**PERFORMANCE DATA:
UNIJET® TPU HYDRAULIC FLAT SPRAY TIPS**

Spray Angle at 3 bar	Capacity Size	Equiv. Orifice Dia. (mm)	Flow Rate Capacity (liters per minute)									Spray Angle (°)			
			0.4 bar	0.7 bar	1.5 bar	3 bar	6 bar	7 bar	15 bar	20 bar	35 bar	1.5 bar	3 bar	6 bar	15 bar
65°	0017	.28	–	–	.047	.067	.095	.10	.15	.17	.23	44	65	77	86
	0025	.33	–	–	.070	.099	.14	.15	.22	.25	.34	45	65	77	84
	0033	.38	–	–	.092	.13	.18	.20	.29	.34	.45	47	65	76	83
	0050	.46	–	–	.14	.20	.28	.30	.44	.51	.67	48	65	75	82
	0067	.53	–	.13	.19	.26	.37	.40	.59	.68	.90	50	65	75	81
	01	.66	–	.19	.28	.39	.56	.60	.88	1.0	1.3	51	65	74	80
	015	.81	–	.29	.42	.59	.84	.90	1.3	1.5	2.0	51	65	74	80
	02	.89	.29	.38	.56	.79	1.1	1.2	1.8	2.0	2.7	52	65	73	79
	025	.99	.36	.48	.70	.99	1.4	1.5	2.2	2.5	3.4	52	65	73	79
	03	1.1	.43	.57	.84	1.2	1.7	1.8	2.6	3.1	4.0	53	65	72	78
	035	1.2	.50	.67	.98	1.4	2.0	2.1	3.1	3.6	4.7	53	65	72	78
	04	1.3	.58	.76	1.1	1.6	2.2	2.4	3.5	4.1	5.4	53	65	72	76
	05	1.4	.72	.95	1.4	2.0	2.8	3.0	4.4	5.1	6.7	53	65	72	76
	055	1.5	.79	1.0	1.5	2.2	3.1	3.3	4.9	5.6	7.4	53	65	72	76
	06	1.6	.86	1.1	1.7	2.4	3.4	3.6	5.3	6.1	8.1	54	65	72	75
	07	1.7	1.0	1.3	2.0	2.8	3.9	4.2	6.2	7.1	9.4	54	65	72	75
	08	1.8	1.2	1.5	2.2	3.2	4.5	4.8	7.1	8.2	10.8	55	65	71	74
	09	1.9	1.3	1.7	2.5	3.6	5.0	5.4	7.9	9.2	12.1	55	65	71	74
	10	2.0	1.4	1.9	2.8	3.9	5.6	6.0	8.8	10.2	13.5	56	65	71	74
	11	2.1	1.6	2.1	3.1	4.3	6.1	6.6	9.7	11.2	14.8	56	65	71	74
12	2.2	1.7	2.3	3.4	4.7	6.7	7.2	10.6	12.2	16.2	56	65	71	74	
13	2.3	1.9	2.5	3.6	5.1	7.3	7.8	11.5	13.3	17.5	56	65	71	74	
14	2.4	2.0	2.7	3.9	5.5	7.8	8.4	12.4	14.3	18.9	56	65	71	74	
15	2.5	2.2	2.9	4.2	5.9	8.4	9.0	13.2	15.3	20	56	65	70	73	
20	2.8	2.9	3.8	5.6	7.9	11.2	12.1	17.7	20	27	57	65	70	73	
30	3.4	4.3	5.7	8.4	11.8	16.8	18.1	26	31	40	58	65	69	72	
40	3.8	5.8	7.6	11.2	15.8	22	24	35	41	54	59	65	68	72	
50	4.4	7.2	9.5	14.0	19.7	28	30	44	51	67	60	65	68	71	
60	4.8	8.6	11.4	16.8	24	34	36	53	61	81	60	65	68	71	
70	5.2	10.1	13.3	19.5	28	39	42	62	71	94	60	65	68	71	
50°	0017	.28	–	–	.047	.067	.095	.10	.15	.17	.23	27	50	65	74
	0025	.33	–	–	.070	.099	.14	.15	.22	.25	.34	29	50	64	71
	0033	.38	–	–	.092	.13	.18	.20	.29	.34	.45	30	50	62	68
	0050	.46	–	–	.14	.20	.28	.30	.44	.51	.67	32	50	60	66
	0067	.53	–	–	.19	.26	.37	.40	.59	.68	.90	35	50	60	66
	01	.66	–	.19	.28	.39	.56	.60	.88	1.0	1.3	37	50	59	65
	015	.81	–	.29	.42	.59	.84	.90	1.3	1.5	2.0	38	50	58	64
	02	.89	–	.38	.56	.79	1.1	1.2	1.8	2.0	2.7	39	50	57	63
	025	.99	.36	.48	.70	.99	1.4	1.5	2.2	2.5	3.4	40	50	57	63
	03	1.1	.43	.57	.84	1.2	1.7	1.8	2.6	3.1	4.0	40	50	56	62
	035	1.2	.50	.67	.98	1.4	2.0	2.1	3.1	3.6	4.7	40	50	56	61

Other body types may be available. Contact your sales engineer for further information. **Highlighted column shows the rated pressure of the nozzles.**

*PulsaJet® Series (except for 104210, 104214, 104215 and 0050)



**PERFORMANCE DATA:
 UNIJET® TPU HYDRAULIC FLAT SPRAY TIPS**

Spray Angle at 3 bar	Capacity Size	Equiv. Orifice Dia. (mm)	Flow Rate Capacity (liters per minute)									Spray Angle (°)			
			0.4 bar	0.7 bar	1.5 bar	3 bar	6 bar	7 bar	15 bar	20 bar	35 bar	1.5 bar	3 bar	6 bar	15 bar
50°	04	1.3	.58	.76	1.1	1.6	2.2	2.4	3.5	4.1	5.4	42	50	56	61
	05	1.4	.72	.95	1.4	2.0	2.8	3.0	4.4	5.1	6.7	44	50	56	61
	06	1.5	.86	1.1	1.7	2.4	3.4	3.6	5.3	6.1	8.1	45	50	56	60
	07	1.7	1.0	1.3	2.0	2.8	3.9	4.2	6.2	7.1	9.4	45	50	56	60
	075	1.7	1.1	1.4	2.1	3.0	4.2	4.5	6.6	7.6	10.1	45	50	55	60
	08	1.8	1.2	1.5	2.2	3.2	4.5	4.8	7.1	8.2	10.8	45	50	55	60
	09	1.9	1.3	1.7	2.5	3.6	5.0	5.4	7.9	9.2	12.1	45	50	55	59
	10	2.0	1.4	1.9	2.8	3.9	5.6	6.0	8.8	10.2	13.5	45	50	55	59
	13	2.3	1.9	2.5	3.6	5.1	7.3	7.8	11.5	13.3	17.5	45	50	55	59
	15	2.5	2.2	2.9	4.2	5.9	8.4	9.0	13.2	15.3	20	45	50	55	59
	20	2.8	2.9	3.8	5.6	7.9	11.2	12.1	17.7	20	27	45	50	55	59
	30	3.4	4.3	5.7	8.4	11.8	16.8	18.1	26	31	40	45	50	55	59
	40	3.8	5.8	7.6	11.2	15.8	22	24	35	41	54	46	50	54	59
	50	4.4	7.2	9.5	14.0	19.7	28	30	44	51	67	46	50	54	59
	60	4.8	8.6	11.4	16.8	24	34	36	53	61	81	46	50	54	59
70	5.2	10.1	13.3	19.5	28	39	42	62	71	94	46	50	54	59	
40°	0017	.28	–	–	.047	.067	.095	.10	.15	.17	.23	21	40	54	61
	0025	.33	–	–	.070	.099	.14	.15	.22	.25	.34	22	40	53	60
	0033	.38	–	–	.092	.13	.18	.20	.29	.34	.45	22	40	53	60
	0050	.46	–	–	.14	.20	.28	.30	.44	.51	.67	22	40	53	60
	0067	.53	–	–	.19	.26	.37	.40	.59	.68	.90	24	40	53	60
	01	.66	–	–	.28	.39	.56	.60	.88	1.0	1.3	26	40	52	59
	015	.81	–	–	.42	.59	.84	.90	1.3	1.5	2.0	27	40	52	59
	02	.89	–	.38	.56	.79	1.1	1.2	1.8	2.0	2.7	29	40	51	58
	025	.99	–	.48	.70	.99	1.4	1.5	2.2	2.5	3.4	29	40	51	58
	03	1.1	–	.57	.84	1.2	1.7	1.8	2.6	3.1	4.0	30	40	50	57
	04	1.3	–	.76	1.1	1.6	2.2	2.4	3.5	4.1	5.4	30	40	50	56
	05	1.4	–	.95	1.4	2.0	2.8	3.0	4.4	5.1	6.7	31	40	49	55
	055	1.5	–	1.0	1.5	2.2	3.1	3.3	4.9	5.6	7.4	31	40	49	55
	06	1.6	–	1.1	1.7	2.4	3.4	3.6	5.3	6.1	8.1	31	40	49	55
	07	1.7	1.0	1.3	2.0	2.8	3.9	4.2	6.2	7.1	9.4	31	40	49	55
	08	1.8	1.2	1.5	2.2	3.2	4.5	4.8	7.1	8.2	10.8	31	40	47	53
	09	1.9	1.3	1.7	2.5	3.6	5.0	5.4	7.9	9.2	12.1	32	40	45	48
	10	2.0	1.4	1.9	2.8	3.9	5.6	6.0	8.8	10.2	13.5	32	40	45	48
	11	2.1	1.6	2.1	3.1	4.3	6.1	6.6	9.7	11.2	14.8	32	40	45	48
	12	2.2	1.7	2.3	3.4	4.7	6.7	7.2	10.6	12.2	16.2	32	40	45	48
	13	2.3	1.9	2.5	3.6	5.1	7.3	7.8	11.5	13.3	17.5	32	40	45	48
15	2.5	2.2	2.9	4.2	5.9	8.4	9.0	13.2	15.3	20	32	40	45	48	
20	2.8	2.9	3.8	5.6	7.9	11.2	12.1	17.7	20	27	32	40	45	48	
25	3.1	3.6	4.8	7.0	9.9	14.0	15.1	22	25	34	32	40	45	48	
30	3.4	4.3	5.7	8.4	11.8	16.8	18.1	26	31	40	33	40	45	48	

Other body types may be available. Contact your sales engineer for further information. **Highlighted column shows the rated pressure of the nozzles.**

*PulsaJet® Series (except for 104210, 104214, 104215 and 0050)



**PERFORMANCE DATA:
UNIJET® TPU HYDRAULIC FLAT SPRAY TIPS**

Spray Angle at 3 bar	Capacity Size	Equiv. Orifice Dia. (mm)	Flow Rate Capacity (liters per minute)									Spray Angle (°)			
			0.4 bar	0.7 bar	1.5 bar	3 bar	6 bar	7 bar	15 bar	20 bar	35 bar	1.5 bar	3 bar	6 bar	15 bar
40°	40	3.9	5.8	7.6	11.2	15.8	22	24	35	41	54	34	40	45	48
	50	4.4	7.2	9.5	14.0	19.7	28	30	44	51	67	35	40	45	48
	60	4.8	8.6	11.4	16.8	24	34	36	53	61	81	35	40	45	48
	70	5.2	10.1	13.3	19.5	28	39	42	62	71	94	35	40	45	48
25°	0017	.28	-	-	-	.067	.095	.10	.15	.17	.23	-	25	35	47
	0025	.33	-	-	-	.099	.14	.15	.22	.25	.34	-	25	35	45
	0033	.38	-	-	-	.13	.18	.20	.29	.34	.45	-	25	34	44
	0050	.46	-	-	-	.20	.28	.30	.44	.51	.67	-	25	34	43
	0067	.53	-	-	-	.26	.37	.40	.59	.68	.90	-	25	34	42
	01	.66	-	-	.28	.39	.56	.60	.88	1.0	1.3	14	25	34	42
	015	.81	-	-	.42	.59	.84	.90	1.3	1.5	2.0	15	25	34	41
	02	.89	-	-	.56	.79	1.1	1.2	1.8	2.0	2.7	15	25	33	40
	03	1.1	-	-	.84	1.2	1.7	1.8	2.6	3.1	4.0	15	25	33	40
	04	1.3	-	.76	1.1	1.6	2.2	2.4	3.5	4.1	5.4	16	25	32	39
	05	1.4	-	.95	1.4	2.0	2.8	3.0	4.4	5.1	6.7	16	25	32	39
	055	1.5	-	1.0	1.5	2.2	3.1	3.3	4.9	5.6	7.4	16	25	32	39
	06	1.6	-	1.1	1.7	2.4	3.4	3.6	5.3	6.1	8.1	17	25	31	38
	07	1.7	-	1.3	2.0	2.8	3.9	4.2	6.2	7.1	9.4	17	25	31	38
	08	1.8	-	1.5	2.2	3.2	4.5	4.8	7.1	8.2	10.8	17	25	31	38
	09	1.9	-	1.7	2.5	3.6	5.0	5.4	7.9	9.2	12.1	17	25	31	38
	10	2.0	-	1.9	2.8	3.9	5.6	6.0	8.8	10.2	13.5	18	25	31	37
	13	2.3	-	2.5	3.6	5.1	7.3	7.8	11.5	13.3	17.5	18	25	31	37
	15	2.5	-	2.9	4.2	5.9	8.4	9.0	13.2	15.3	20	18	25	31	37
	20	2.8	-	3.8	5.6	7.9	11.2	12.1	17.7	20	27	19	25	31	37
30	3.4	4.3	5.7	8.4	11.8	16.8	18.1	26	31	40	20	25	30	36	
40	3.9	5.8	7.6	11.2	15.8	22	24	35	41	54	21	25	29	35	
50	4.4	7.2	9.5	14.0	19.7	28	30	44	51	67	21	25	29	35	
60	4.8	8.6	11.4	16.8	24	34	36	53	61	81	22	25	29	35	
70	5.2	10.1	13.3	19.5	28	39	42	62	71	94	22	25	29	35	
15°	0017	.28	-	-	-	.067	.095	.10	.15	.17	.23	-	15	30	37
	0025	.33	-	-	-	.099	.14	.15	.22	.25	.34	-	15	28	34
	0033	.38	-	-	-	.13	.18	.20	.29	.34	.45	-	15	27	32
	0050	.46	-	-	-	.20	.28	.30	.44	.51	.67	-	15	26	30
	0067	.53	-	-	-	.26	.37	.40	.59	.68	.90	-	15	25	29
	01	.66	-	-	-	.39	.56	.60	.88	1.0	1.3	-	15	24	28
	015	.81	-	-	-	.59	.84	.90	1.3	1.5	2.0	-	15	23	27
	02	.89	-	-	.56	.79	1.1	1.2	1.8	2.0	2.7	6	15	22	27
	03	1.1	-	-	.84	1.2	1.7	1.8	2.6	3.1	4.0	6	15	22	27
	04	1.3	-	-	1.1	1.6	2.2	2.4	3.5	4.1	5.4	7	15	21	26
	05	1.4	-	-	1.4	2.0	2.8	3.0	4.4	5.1	6.7	7	15	21	26
	055	1.5	-	-	1.5	2.2	3.1	3.3	4.9	5.6	7.4	7	15	21	26

Other body types may be available. Contact your sales engineer for further information. **Highlighted column shows the rated pressure of the nozzles.**

*PulsaJet® Series (except for 104210, 104214, 104215 and 0050)



**PERFORMANCE DATA:
 UNIJET® TPU HYDRAULIC FLAT SPRAY TIPS**

Spray Angle at 3 bar	Capacity Size	Equiv. Orifice Dia. (mm)	Flow Rate Capacity (liters per minute)									Spray Angle (°)			
			0.4 bar	0.7 bar	1.5 bar	3 bar	6 bar	7 bar	15 bar	20 bar	35 bar	1.5 bar	3 bar	6 bar	15 bar
15°	06	1.6	–	–	1.7	2.4	3.4	3.6	5.3	6.1	8.1	8	15	21	26
	07	1.7	–	–	2.0	2.8	3.9	4.2	6.2	7.1	9.4	8	15	21	26
	08	1.8	–	–	2.2	3.2	4.5	4.8	7.1	8.2	10.8	9	15	20	25
	09	1.9	–	–	2.5	3.6	5.0	5.4	7.9	9.2	12.1	9	15	20	25
	10	2.0	–	–	2.8	3.9	5.6	6.0	8.8	10.2	13.5	10	15	19	24
	11	2.1	–	2.1	3.1	4.3	6.1	6.6	9.7	11.2	14.8	10	15	19	24
	12	2.2	1.7	2.3	3.4	4.7	6.7	7.2	10.6	12.2	16.2	10	15	19	24
	15	2.5	2.2	2.9	4.2	5.9	8.4	9.0	13.2	15.3	20	10	15	19	24
	20	2.8	2.9	3.8	5.6	7.9	11.2	12.1	17.7	20	27	10	15	19	23
	30	3.4	4.3	5.7	8.4	11.8	16.8	18.1	26	31	40	10	15	19	21
	40	3.9	5.8	7.6	11.2	15.8	22	24	35	41	54	10	15	18	21
	50	4.4	7.2	9.5	14.0	19.7	28	30	44	51	67	11	15	18	21
	60	4.8	8.6	11.4	16.8	24	34	36	53	61	81	11	15	18	21
70	5.2	10.1	13.3	19.5	28	39	42	62	71	94	11	15	18	21	
0°	0009	.20	.013	.017	.025	.036	.050	.054	.079	.092	.12	0° Solid Stream			
	0012	.25	.017	.023	.034	.047	.067	.072	.11	.12	.16				
	0019	.30	.027	.036	.053	.075	.11	.11	.17	.19	.26				
	0021	.33	.030	.040	.059	.083	.12	.13	.19	.21	.28				
	0033	.41	.048	.063	.092	.13	.18	.20	.29	.34	.45				
	0050	.48	.072	.095	.14	.20	.28	.30	.44	.51	.67				
	0067	.58	.097	.13	.19	.26	.37	.40	.59	.68	.90				
	01	.71	.14	.19	.28	.39	.56	.60	.88	1.0	1.3				
	015	.86	.22	.29	.42	.59	.84	.90	1.3	1.5	2.0				
	02	.99	.29	.38	.56	.79	1.1	1.2	1.8	2.0	2.7				
	03	1.2	.43	.57	.84	1.2	1.7	1.8	2.6	3.1	4.0				
	04	1.4	.58	.76	1.1	1.6	2.2	2.4	3.5	4.1	5.4				
	045	1.5	.65	.86	1.3	1.8	2.5	2.7	4.0	4.6	6.1				
	05	1.6	.72	.95	1.4	2.0	2.8	3.0	4.4	5.1	6.7				
	055	1.7	.79	1.0	1.5	2.2	3.1	3.3	4.9	5.6	7.4				
	06	1.7	.86	1.1	1.7	2.4	3.4	3.6	5.3	6.1	8.1				
	065	1.8	.94	1.2	1.8	2.6	3.6	3.9	5.7	6.6	8.8				
	07	1.9	1.0	1.3	2.0	2.8	3.9	4.2	6.2	7.1	9.4				
	08	2.0	1.2	1.5	2.2	3.2	4.5	4.8	7.1	8.2	10.8				
	09	2.1	1.3	1.7	2.5	3.6	5.0	5.4	7.9	9.2	12.1				
10	2.2	1.4	1.9	2.8	3.9	5.6	6.0	8.8	10.2	13.5					
11	2.3	1.6	2.1	3.1	4.3	6.1	6.6	9.7	11.2	14.8					
12	2.4	1.7	2.3	3.4	4.7	6.7	7.2	10.6	12.2	16.2					
15	2.7	2.2	2.9	4.2	5.9	8.4	9.0	13.2	15.3	20					
20	3.1	2.9	3.8	5.6	7.9	11.2	12.1	17.7	20	27					
30	3.6	4.3	5.7	8.4	11.8	16.8	18.1	26	31	40					
40	4.1	5.8	7.6	11.2	15.8	22	24	35	41	54					

Other body types may be available. Contact your sales engineer for further information. **Highlighted column shows the rated pressure of the nozzles.**

*PulsaJet® Series (except for 104210, 104214, 104215 and 0050)





**PERFORMANCE DATA:
UNIJET PWMD PREMIUM HYDRAULIC FLAT SPRAY TIPS***

Tip No. TPU PWMD	Equiv Orifice Dia. (mm)	Marking	Flow Rate Capacity (liters per minute)					Spray Angle (°)		
			0.7 bar	1.5 bar	3 bar	4 bar	7 bar	1 bar	3 bar	5 bar
1100033	.38	WH	–	.092	.13	.15	.20	91	110	116
1100050	.46	WJ	–	.14	.20	.23	.30	91	110	118
1100067	.53	WK	.13	.19	.26	.31	.40	92	110	118
11001	.66	WL	.19	.28	.39	.46	.60	94	110	121
110015	.79	WM	.29	.42	.59	.69	.90	97	110	121
11002	.89	WN	.38	.56	.79	.91	1.2	98	110	120
11003	1.1	WO	.57	.70	.99	1.1	1.5	99	110	120
950033	.38	9H	–	.092	.13	.15	.20	81	95	105
950050	.46	9J	–	.14	.20	.23	.30	81	95	105
950067	.53	9K	.13	.19	.26	.31	.40	81	95	105
9501	.66	9L	.19	.28	.39	.46	.60	81	95	105
95015	.79	9M	.29	.42	.59	.69	.90	81	95	105
9502	.89	9N	.38	.56	.79	.91	1.2	82	95	105
9503	1.1	9O	.57	.70	.99	1.1	1.5	83	95	104
800025	.33	8G	-	.070	.099	.11	.15	61	80	95
800033	.38	8H	-	.092	.13	.15	.20	61	80	95
800050	.46	8J	-	.14	.20	.23	.30	61	80	95
800067	.53	8K	.13	.19	.26	.31	.40	67	80	94
8001	.66	8L	.19	.28	.39	.46	.60	68	80	89
80015	.79	8M	.29	.42	.59	.69	.90	68	80	89
8002	.89	8N	.38	.56	.79	.91	1.2	69	80	88
8003	1.1	8O	.57	.70	.99	1.1	1.5	70	80	87
650025	.33	6G	-	.070	.099	.11	.15	45	65	77
650033	.38	6H	-	.092	.13	.15	.20	47	65	76
650050	.46	6J	-	.14	.20	.23	.30	48	65	75
650067	.53	6K	.13	.19	.26	.31	.40	50	65	75
6501	.66	6L	.19	.28	.39	.46	.60	51	65	74
65015	.79	6M	.29	.42	.59	.69	.90	51	65	74
6502	.89	6N	.38	.56	.79	.91	1.2	52	65	73
6503	1.1	6O	.57	.70	.99	1.1	1.5	53	65	72
500025	.33	5G	-	.070	.099	.11	.15	29	50	64
500033	.38	5H	-	.092	.13	.15	.20	30	50	62
500050	.46	5J	-	.14	.20	.23	.30	32	50	60
500067	.53	5K	.13	.19	.26	.31	.40	35	50	60
5001	.66	5L	.19	.28	.39	.46	.60	37	50	59
50015	.79	5M	.29	.42	.59	.69	.90	38	50	58
5002	.89	5N	.38	.56	.79	.91	1.2	39	50	57
5003	1.1	5O	.57	.70	.99	1.1	1.5	40	50	56
400025	.33	4G	-	.070	.099	.11	.15	40	50	56
400033	.38	4H	-	.092	.13	.15	.20	22	40	53
400050	.46	4J	-	.14	.20	.23	.30	22	40	53



**PERFORMANCE DATA:
UNIJET PWMD PREMIUM HYDRAULIC FLAT SPRAY TIPS***

Tip No. TPU PWMD	Equiv Orifice Dia. (mm)	Marking	Flow Rate Capacity (liters per minute)					Spray Angle (°)		
			0.7 bar	1.5 bar	3 bar	4 bar	7 bar	1 bar	3 bar	5 bar
400067	.53	4K	.13	.19	.26	.31	.40	24	40	53
4001	.66	4L	.19	.28	.39	.46	.60	26	40	52
40015	.79	4M	.29	.42	.59	.69	.90	27	40	52
4002	.89	4N	.38	.56	.79	.91	1.2	29	40	51
4003	1.1	4O	.57	.70	.99	1.1	1.5	30	40	50
250025	.33	3G	-	.070	.099	.11	.15	—	25	35
250033	.38	3H	-	.092	.13	.15	.20	—	25	34
250050	.46	3J	-	.14	.20	.23	.30	—	25	34
250067	.53	3K	.13	.19	.26	.31	.40	—	25	34
2501	.66	3L	.19	.28	.39	.46	.60	14	25	34
25015	.79	3M	.29	.42	.59	.69	.90	15	25	34
2502	.89	3N	.38	.56	.79	.91	1.2	15	25	33
2503	1.1	3O	.57	.70	.99	1.1	1.5	15	25	33
150025	.33	2G	-	.070	.099	.11	.15	—	15	28
150033	.38	2H	-	.092	.13	.15	.20	—	15	27
150050	.46	2J	-	.14	.20	.23	.30	—	15	26
150067	.53	2K	.13	.19	.26	.31	.40	—	15	25
1501	.66	2L	.19	.28	.39	.46	.60	—	15	24
15015	.79	2M	.29	.42	.59	.69	.90	—	15	23
1502	.89	2N	.38	.56	.79	.91	1.2	6	15	22
1503	1.1	2O	.57	.70	.99	1.1	1.5	6	15	22

*For PulsaJet 104210, 104214, 104215



**PERFORMANCE DATA:
UNIJET PWMM PREMIUM HYDRAULIC FLAT SPRAY TIPS***

Tip No. TPU_PWMM-SS	Marking	Flow Rate Capacity (liters per minute)	Spray Angle (°)
		2.75 bar	2.75 bar
1100033	WH	.125	110
1100050	WJ	.189	110
950025	9G	.095	95
950033	9H	.125	95
950050	9J	.189	95
800025	8G	.095	80
800033	8H	.125	80
800050	8J	.189	80
650025	6G	.095	65
650033	6H	.125	65
650050	6J	.189	65

*For PulsaJet 0050 nozzles





**PERFORMANCE DATA:
UNIJET TP-TC HYDRAULIC FLAT SPRAY TIPS**

Spray Angle at 3 bar	Spray Tip Number	Equiv. Orifice Dia. (mm)	Flow Rate Capacity* (liters per minute)				Approx.** Spray Pattern Width (cm) (at 30 cm distance)	
			50 bar	100 bar	150 bar	200 bar		
110°	1100017-TC	.28	.27	.39	.47	.55	39	
	1100025-TC	.33	.40	.57	.70	.81	42	
	1100033-TC	.38	.53	.75	.92	1.1	43	
	1100039-TC	.41	.63	.89	1.1	1.3	46	
	1100050-TC	.46	.81	1.1	1.4	1.6	48	
	1100067-TC	.53	1.1	1.5	1.9	2.2	53	
	1100080-TC	.58	1.3	1.8	2.2	2.6	56	
	11001-TC	.66	1.6	2.3	2.8	3.2	58	
	110015-TC	.79	2.4	3.4	4.2	4.8	63	
	11002-TC	.91	3.2	4.6	5.6	6.4	66	
	11003-TC	1.1	4.8	6.8	8.4	9.7	68	
	11004-TC	1.3	6.4	9.1	11.2	12.9	71	
	11005-TC	1.4	8.1	11.4	14.0	16.1	71	
	110053-TC	1.5	8.5	12.1	14.8	17.1	71	
	11006-TC	1.6	9.7	13.7	16.7	19.3	71	
	11007-TC	1.7	11.3	16.0	19.5	23	71	
	11008-TC	1.8	12.9	18.2	22	26	71	
	11009-TC	1.9	14.5	21	25	29	71	
11010-TC	2.0	16.1	23	28	32	71		
11011-TC	2.2	17.7	25	31	35	71		
11012-TC	2.3	19.3	27	33	39	71		
95°	950017-TC	.28	.27	.39	.47	.55	33	
	950025-TC	.33	.40	.57	.70	.81	36	
	950033-TC	.38	.53	.75	.92	1.1	38	
	950039-TC	.41	.63	.89	1.1	1.3	40	
	950044-TC	.43	.71	1.0	1.2	1.4	41	
	950050-TC	.46	.81	1.1	1.4	1.6	43	
	950067-TC	.53	1.1	1.5	1.9	2.2	48	
	950080-TC	.58	1.3	1.8	2.2	2.6	48	
	9501-TC	.66	1.6	2.3	2.8	3.2	53	
	95015-TC	.79	2.4	3.4	4.2	4.8	53	
	9502-TC	.91	3.2	4.6	5.6	6.4	56	
	9503-TC	1.1	4.8	6.8	8.4	9.7	56	
	9504-TC	1.3	6.4	9.1	11.2	12.9	58	
	9505-TC	1.4	8.1	11.4	14.0	16.1	58	
	9506-TC	1.6	9.7	13.7	16.7	19.3	58	
	90°	9507-TC	1.7	11.3	16.0	19.5	23	58
		9508-TC	1.8	12.9	18.2	22	26	58
		9509-TC	1.9	14.5	21	25	29	58
9510-TC		2.0	16.1	23	28	32	58	
9511-TC		2.2	17.7	25	31	35	58	
9512-TC		2.3	19.3	27	33	39	58	
9513-TC		2.3	21	30	36	42	58	
9514-TC		2.4	23	32	39	45	58	
9515-TC		2.5	24	34	42	48	58	
9516-TC		2.5	26	36	45	52	58	
9518-TC		2.6	29	41	50	58	58	
9520-TC		2.8	32	46	56	64	58	
800011-TC		.23	.18	.25	.31	.35	27	
800017-TC		.28	.27	.39	.47	.55	29	
800025-TC		.33	.40	.57	.70	.81	31	
800033-TC		.38	.53	.75	.92	1.1	33	
800039-TC		.41	.63	.89	1.1	1.3	36	
800050-TC		.46	.81	1.1	1.4	1.6	38	
800067-TC	.53	1.1	1.5	1.9	2.2	43		
800080-TC	.58	1.3	1.8	2.2	2.6	43		
8001-TC	.66	1.6	2.3	2.8	3.2	48		
80015-TC	.79	2.4	3.4	4.2	4.8	48		
8002-TC	.91	3.2	4.6	5.6	6.4	48		
8003-TC	1.1	4.8	6.8	8.4	9.7	48		
8004-TC	1.3	6.4	9.1	11.2	12.9	48		
8005-TC	1.4	8.1	11.4	14.0	16.1	48		
8006-TC	1.6	9.7	13.7	16.7	19.3	48		
8007-TC	1.7	11.3	16.0	19.5	23	48		
8008-TC	1.8	12.9	18.2	22	26	48		
8009-TC	1.9	14.5	21	25	29	48		
8010-TC	2.0	16.1	23	28	33	48		
8011-TC	2.1	17.7	25	31	35	48		
8012-TC	2.2	19.3	27	33	39	48		
8013-TC	2.3	21	30	36	42	48		
8014-TC	2.4	23	32	39	45	48		
8015-TC	2.5	24	34	42	48	48		

* Tabulated capacities based on water.

** Spray pattern width is based on liquid with viscosity of 20 seconds, #4 Zahn Cup spraying at 1600 psi (110 bar). Coverage will vary with viscosities and pressures.



**PERFORMANCE DATA:
 UNIJET TP-TC HYDRAULIC FLAT SPRAY TIPS**

Spray Angle at 3 bar	Spray Tip Number	Equiv. Orifice Dia. (mm)	Flow Rate Capacity* (liters per minute)				Approx.** Spray Pattern Width (cm) (at 30 cm distance)
			50 bar	100 bar	150 bar	200 bar	
73°	730023-TC	.30	.37	.52	.64	.74	29
	730039-TC	.41	.63	.89	1.1	1.3	33
	730044-TC	.43	.71	1.0	1.2	1.4	33
	730050-TC	.46	.81	1.1	1.4	1.6	33
	730154-TC	.79	2.5	3.5	4.3	5.0	33
65°	650008-TC	.18	.13	.18	.22	.26	21
	650011-TC	.23	.18	.25	.31	.35	23
	650017-TC	.28	.27	.39	.47	.55	25
	650025-TC	.33	.40	.57	.70	.81	26
	650033-TC	.38	.53	.75	.92	1.1	27
	650039-TC	.41	.63	.89	1.1	1.3	30
	650044-TC	.43	.71	1.0	1.2	1.4	32
	650050-TC	.46	.81	1.1	1.4	1.6	33
	650055-TC	.48	.88	1.3	1.5	1.8	33
	650067-TC	.53	1.1	1.5	1.9	2.2	38
	650080-TC	.58	1.3	1.8	2.2	2.6	38
	6501-TC	.66	1.6	2.3	2.8	3.2	40
	65015-TC	.79	2.4	3.4	4.2	4.8	40
	6502-TC	.91	3.2	4.6	5.6	6.4	40
	6503-TC	1.1	4.8	6.8	8.4	9.7	40
	6504-TC	1.3	6.4	9.1	11.2	12.9	40
	6505-TC	1.4	8.1	11.4	14.0	16.1	40
	6506-TC	1.6	9.7	13.7	16.7	19.3	40
	6507-TC	1.7	11.3	16.0	19.5	23	40
	6508-TC	1.8	12.9	18.2	22	26	40
	6509-TC	1.9	14.5	21	25	29	40
	6510-TC	2.0	16.1	23	28	32	40
	6511-TC	2.1	17.7	25	31	35	40
	6512-TC	2.2	19.3	27	33	39	40
	6513-TC	2.3	21	30	36	42	40
	6514-TC	2.4	23	32	39	45	40
	6515-TC	2.5	24	34	42	48	40
	6517-TC	2.6	27	39	47	55	40
6520-TC	2.7	32	46	56	64	40	

Spray Angle at 3 bar	Spray Tip Number	Equiv. Orifice Dia. (mm)	Flow Rate Capacity* (liters per minute)				Approx.** Spray Pattern Width (cm) (at 30 cm distance)
			50 bar	100 bar	150 bar	200 bar	
50°	500004-TC	.13	.06	.09	.11	.13	17
	500006-TC	.15	.10	.14	.17	.19	18
	500008-TC	.18	.13	.18	.22	.26	19
	500011-TC	.23	.18	.25	.31	.35	20
	500017-TC	.28	.27	.39	.47	.55	21
	500025-TC	.33	.40	.57	.70	.81	22
	500033-TC	.38	.53	.75	.92	1.1	25
	500039-TC	.41	.63	.89	1.1	1.3	26
	500044-TC	.43	.71	1.0	1.2	1.4	26
	500050-TC	.46	.81	1.1	1.4	1.6	28
	500055-TC	.48	.88	1.3	1.5	1.8	28
	500067-TC	.53	1.1	1.5	1.9	2.2	30
	500080-TC	.58	1.3	1.8	2.2	2.6	33
	5001-TC	.66	1.6	2.3	2.8	3.2	35
	50015-TC	.79	2.4	3.4	4.2	4.8	35
	5002-TC	.91	3.2	4.6	5.6	6.4	35
	5003-TC	1.1	4.8	6.8	8.4	9.7	35
	5004-TC	1.3	6.4	9.1	11.2	12.9	35
	5005-TC	1.4	8.1	11.4	14.0	16.1	35
	5006-TC	1.6	9.7	13.7	16.7	19.3	35
	5007-TC	1.7	11.3	16.0	19.5	23	35
	5008-TC	1.8	12.9	18.2	22	26	35
5010-TC	2.0	16.1	23	28	32	35	
5015-TC	2.5	24	34	42	48	35	
40°	400004-TC	.13	.06	.09	.11	.13	16
	400006-TC	.15	.10	.14	.17	.19	16
	400008-TC	.18	.13	.18	.22	.26	16
	400011-TC	.23	.18	.25	.31	.35	17
	400017-TC	.28	.27	.39	.47	.55	19
	400025-TC	.33	.40	.57	.70	.81	20
	400033-TC	.38	.53	.75	.92	1.1	21
	400039-TC	.41	.63	.89	1.1	1.3	22
	400044-TC	.43	.71	1.0	1.2	1.4	24
	400050-TC	.46	.81	1.1	1.4	1.6	25

* Tabulated capacities based on water.

** Spray pattern width is based on liquid with viscosity of 20 seconds, #4 Zahn Cup spraying at 1600 psi (110 bar). Coverage will vary with viscosities and pressures.



**PERFORMANCE DATA:
UNIJET TP-TC HYDRAULIC FLAT SPRAY TIPS**

Spray Angle at 3 bar	Spray Tip Number	Equiv. Orifice Dia. (mm)	Flow Rate Capacity* (liters per minute)				Approx.** Spray Pattern Width (cm) (at 30 cm distance)
			50 bar	100 bar	150 bar	200 bar	
40°	400055-TC	.48	.88	1.3	1.5	1.8	25
	400067-TC	.53	1.1	1.5	1.9	2.2	27
	400080-TC	.58	1.3	1.8	2.2	2.6	27
	4001-TC	.66	1.6	2.3	2.8	3.2	30
	40013-TC	.74	2.1	3.0	3.6	4.2	30
	40015-TC	.79	2.4	3.4	4.2	4.8	30
	4002-TC	.91	3.2	4.6	5.6	6.4	30
	4003-TC	1.1	4.8	6.8	8.4	9.7	30
	4004-TC	1.3	6.4	9.1	11.2	12.9	30
	4005-TC	1.4	8.1	11.4	14.0	16.1	30
	4006-TC	1.6	9.7	13.7	16.7	19.3	30
	4007-TC	1.7	11.3	16.0	19.5	23	30
	4008-TC	1.8	12.9	18.2	22	26	30
	4009-TC	1.9	14.5	21	25	29	30
	4010-TC	2.0	16.1	23	28	32	30
25°	250004-TC	.13	.06	.09	.11	.13	12
	250006-TC	.15	.10	.14	.17	.19	12
	250008-TC	.18	.13	.18	.22	.26	13
	250011-TC	.23	.18	.25	.31	.35	13
	250017-TC	.28	.27	.39	.47	.55	15
	250025-TC	.33	.40	.57	.70	.81	15
	250033-TC	.38	.53	.75	.92	1.1	17
	250039-TC	.41	.63	.89	1.1	1.3	17
	250050-TC	.46	.81	1.1	1.4	1.6	17
	250055-TC	.48	.88	1.3	1.5	1.8	17
	250067-TC	.53	1.1	1.5	1.9	2.2	20
	250080-TC	.58	1.3	1.8	2.2	2.6	21
	2501-TC	.66	1.6	2.3	2.8	3.2	22
	25015-TC	.79	2.4	3.4	4.2	4.8	22
	2502-TC	.91	3.2	4.6	5.6	6.4	22
2503-TC	1.1	4.8	6.8	8.4	9.7	22	
2504-TC	1.3	6.4	9.1	11.2	12.9	22	
25°	2505-TC	1.4	8.1	11.4	14.0	16.1	22
	2506-TC	1.6	9.7	13.7	16.7	19.3	22
	2508-TC	1.8	12.9	18.2	22	26	22
	2510-TC	2.0	16.1	23	28	32	22
	251004-TC	.13	.06	.09	.11	.13	10
	251006-TC	.15	.10	.14	.17	.19	10
	251008-TC	.18	.13	.18	.22	.26	11
	2510011-TC	.23	.18	.25	.31	.35	11
	2510017-TC	.28	.27	.39	.47	.55	12
	2510025-TC	.33	.40	.57	.70	.81	12
	2510033-TC	.38	.53	.75	.92	1.1	13
	2510039-TC	.41	.63	.89	1.1	1.3	15
	2510044-TC	.43	.71	1.0	1.2	1.4	15
	2510050-TC	.46	.81	1.1	1.4	1.6	15
	2510067-TC	.53	1.1	1.5	1.9	2.2	16
15°	2510080-TC	.58	1.3	1.8	2.2	2.6	17
	25101-TC	.66	1.6	2.3	2.8	3.2	17
	251015-TC	.79	2.4	3.4	4.2	4.8	17
	25102-TC	.91	3.2	4.6	5.6	6.4	17
	25103-TC	1.1	4.8	6.8	8.4	9.7	17
	25104-TC	1.3	6.4	9.1	11.2	12.9	17
	25105-TC	1.4	8.1	11.4	14.0	16.1	17
	25106-TC	1.6	9.7	13.7	16.7	19.3	17
	25107-TC	1.7	11.3	16.0	19.5	23	17
	25108-TC	1.8	12.9	18.2	22	26	17
	251010-TC	2.0	16.1	23	28	32	17
	251015-TC	2.5	24	34	42	48	17
	2510004-TC	.13	.06	.09	.11	.13	7
	2510006-TC	.15	.10	.14	.17	.19	7
	2510008-TC	.18	.13	.18	.22	.26	9
2510011-TC	.23	.18	.25	.31	.35	9	
2510017-TC	.28	.27	.39	.47	.55	10	
2510025-TC	.33	.40	.57	.70	.81	10	
2510033-TC	.38	.53	.75	.92	1.1	11	

* Tabulated capacities based on water.

** Spray pattern width is based on liquid with viscosity of 20 seconds, #4 Zahn Cup spraying at 1600 psi (110 bar). Coverage will vary with viscosities and pressures.



**PERFORMANCE DATA:
 UNIJET TP-TC HYDRAULIC FLAT SPRAY TIPS**

Spray Angle at 3 bar	Spray Tip Number	Equiv. Orifice Dia. (mm)	Flow Rate Capacity* (liters per minute)				Approx.** Spray Pattern Width (cm) (at 30 cm distance)
			50 bar	100 bar	150 bar	200 bar	
10°	100039-TC	.41	.63	.89	1.1	1.3	12
	100050-TC	.46	.81	1.1	1.4	1.6	12
	100067-TC	.53	1.1	1.5	1.9	2.2	13
	100080-TC	.58	1.3	1.8	2.2	2.6	13
	1001-TC	.66	1.6	2.3	2.8	3.2	15
	10015-TC	.79	2.4	3.4	4.2	4.8	15
	1002-TC	.91	3.2	4.6	5.6	6.4	15
5°	050004-TC	.13	.06	.09	.11	.13	6
	050008-TC	.18	.13	.18	.22	.26	6
	050011-TC	.23	.18	.25	.31	.35	6

Spray Angle at 3 bar	Spray Tip Number	Equiv. Orifice Dia. (mm)	Flow Rate Capacity* (liters per minute)				Approx.** Spray Pattern Width (cm) (at 30 cm distance)
			50 bar	100 bar	150 bar	200 bar	
5°	050017-TC	.28	.27	.39	.47	.55	7
	050025-TC	.33	.40	.57	.70	.81	7
	050033-TC	.38	.53	.75	.92	1.1	8
	050039-TC	.41	.63	.89	1.1	1.3	10
	050050-TC	.46	.81	1.1	1.4	1.6	10
	050067-TC	.53	1.1	1.5	1.9	2.2	10
	0501-TC	.66	1.1	1.5	1.9	2.2	10
	05015-TC	.79	2.4	3.4	4.2	4.8	10
	0502-TC	.91	3.2	4.6	5.6	6.4	10
	0503-TC	1.1	4.8	6.8	8.4	9.7	10

* Tabulated capacities based on water.

** Spray pattern width is based on liquid with viscosity of 20 seconds, #4 Zahn Cup spraying at 1600 psi (110 bar). Coverage will vary with viscosities and pressures.

PLACING YOUR ORDER

**Call 1.630.665.5000 for application assistance
 or to place an order.**





**PERFORMANCE DATA:
UNIJET TG HYDRAULIC FULL CONE SPRAY TIPS**

Body Inlet Conn. (mm)	Capacity Size	Orifice Dia. Nom. (mm)	Max. Free Passage Dia. (mm)	Flow Rate Capacity (liters per minute)								Spray Angle (°)		
				0.4 bar	0.5 bar	0.7 bar	1.5 bar	3 bar	6 bar	7 bar	10 bar	0.5 bar	1.5 bar	6 bar
1/4	.3	.51	.41	–	–	–	.16	.22	.31	.33	.39	–	50	61
	.4	.56	.46	–	–	–	.22	.30	.41	.44	.52	–	56	63
	.5	.61	.51	–	–	–	.27	.37	.51	.55	.65	–	56	63
	.6	.69	.51	–	–	–	.32	.45	.61	.66	.78	–	54	62
	.7	.76	.51	–	–	–	.38	.52	.72	.77	.91	–	54	63
	1	.94	.64	–	–	.38	.54	.74	1.0	1.1	1.3	–	58	53
	2	1.19	1.0	.59	.65	.76	1.1	1.5	2.0	2.2	2.6	43	50	46
	3	1.57	1.0	.88	.98	1.1	1.6	2.2	3.1	3.3	3.9	52	65	59
	3.5	1.70	1.3	1.0	1.1	1.3	1.9	2.6	3.6	3.8	4.5	43	50	46
	5	2.08	1.3	1.5	1.6	1.9	2.7	3.7	5.1	5.5	6.5	52	65	59
	6.5	2.38	1.6	1.9	2.1	2.5	3.5	4.8	6.7	7.1	8.4	45	50	46
10	3.18	1.6	3.0	3.3	3.8	5.4	7.5	10.3	11.0	13.0	58	67	61	

Maximum Free Passage Diameter is the maximum diameter as listed of foreign matter that can pass through the nozzle without clogging. Other body sizes may be available. Contact your sales engineer for further information.

Highlighted column shows the rated pressure of the nozzles.



**PERFORMANCE DATA:
UNIJET TG-W HYDRAULIC FULL CONE SPRAY TIPS**

Body Inlet Conn. (mm)	Capacity Size	Orifice Dia. Nom. (mm)	Max. Free Passage Dia. (mm)	Flow Rate Capacity (liters per minute)							Spray Angle (°)		
				0.4 bar	0.5 bar	0.7 bar	1 bar	1.5 bar	3 bar	6 bar	0.4 bar	0.7 bar	6 bar
1/8, 1/4	2.8W	1.6	1.0	–	–	1.1	1.2	1.5	2.0	2.7	–	120	102
	4.3W	2.0	1.0	–	–	1.6	1.9	2.3	3.1	4.2	–	120	102
	5.6W	2.4	1.0	–	1.8	2.1	2.5	3.0	4.0	5.5	–	120	102
	8W	2.4	1.3	–	2.6	3.0	3.6	4.3	6.0	8.2	–	120	103
1/4	10W	2.8	1.3	3.0	3.3	3.8	4.5	5.4	7.5	10.3	112	120	103
	12W	3.2	1.3	3.5	3.9	4.6	5.4	6.5	8.9	12.3	114	120	103
	14W	3.6	1.6	4.2	4.6	5.3	6.2	7.5	10.2	13.8	114	120	103

Maximum Free Passage Diameter is the maximum diameter as listed of foreign matter that can pass through the nozzle without clogging. Other body sizes may be available. Contact your sales engineer for further information.

Highlighted column shows the rated pressure of the nozzles.





PERFORMANCE DATA:
 UNIJET® TX HYDRAULIC HOLLOW CONE SPRAY TIPS

Body Inlet Conn. (mm)	Capacity Size	Inlet Openings (mm)	Orifice Dia. Nom. (mm)	Flow Rate Capacity (liters per hour)									Spray Angle (°)	
				1.5 bar	2 bar	3 bar	4 bar	6 bar	7 bar	10 bar	15 bar	25 bar	1.5 bar	3 bar
1/4	.60	One .30 x .25	.36	–	–	–	2.7	3.4	3.6	4.3	5.3	6.8	–	–
	1	One .41 x .38	.51	–	3.2	3.9	4.6	5.6	6.0	7.2	8.8	11.4	–	54
	1.25	One .51 x .51	.56	–	4.0	4.9	5.7	7.0	7.5	9.0	11.0	14.2	–	59
	1.5	One .61 x .51	.61	–	4.8	5.9	6.8	8.4	9.0	10.8	13.2	17.1	–	63
	2	One .71 x .61	.71	5.6	6.4	7.9	9.1	11.2	12.1	14.4	17.7	23	40	68
	2.5	One .76 x .74	.79	7.0	8.1	9.9	11.4	14.0	15.1	18.0	22	28	48	70
	3	One .91 x .86	.86	8.4	9.7	11.8	13.7	16.8	18.1	22	26	34	57	72
	4	One 1.0 x .86	1.0	11.2	12.9	15.8	18.2	22	24	29	35	46	61	73
	5	Two .81 x .81	1.1	14.0	16.1	19.7	23	28	30	36	44	57	63	73
	6	Two 1.0 x .81	1.2	16.8	19.3	24	27	34	36	43	53	68	65	74
	8	Two 1.0 x .91	1.4	22	26	32	36	45	48	58	71	91	66	74
	10	Two 1.3 x .76	1.5	28	32	39	46	56	60	72	88	114	68	75
	12	Two 1.3 x .86	1.7	34	39	47	55	67	72	86	106	137	69	76
	14	Two 1.4 x .86	1.8	39	45	55	64	78	84	101	124	160	70	76
	18	Two 1.5 x .79	2.0	50	58	71	82	101	109	130	159	205	71	77
22	Two 1.7 x .76	2.2	61	71	87	100	123	133	159	194	251	71	78	
26	Two 1.7 x .76	2.4	73	84	103	119	145	157	187	230	296	72	78	

Spray angle of all above tips is 80° at 100 psi (7 bar). Other body types may be available. Contact your sales engineer for more information.

Highlighted column shows the rated pressure of the nozzles.





**PERFORMANCE DATA:
UNIJET® TN HYDRAULIC HOLLOW CONE SPRAY TIPS**

Body Inlet Conn. (mm)	Capacity Size	Orifice Dia. Nom. (mm)	Core No.	Flow Rate Capacity (liters per hour)									Spray Angle (°)		
				2 bar	3 bar	4 bar	7 bar	15 bar	20 bar	35 bar	45 bar	80 bar	3 bar	6 bar	20 bar
1/4	.30	.41	106	–	–	–	–	–	3.1	4.0	4.6	6.1	–	–	51
	.40	.41	108	–	–	–	–	–	4.1	5.4	6.1	8.2	–	–	58
	.60	.41	206	–	–	–	3.6	5.3	6.1	8.1	9.2	12.2	–	35	65
	1	.51	210	–	3.9	4.6	6.0	8.8	10.2	13.5	15.3	20	45	62	72
	1.5	.51	216	4.8	5.9	6.8	9.0	13.2	15.3	20	23	31	65	70	72
	2	.71	216	6.4	7.9	9.1	12.1	17.7	20	27	31	41	70	75	77
	3	.71	220	9.7	11.8	13.7	18.1	26	31	40	46	61	65	70	73
	4	1.1	220	12.9	15.8	18.2	24	35	41	54	61	82	72	81	84
	6	1.1	225	19.3	24	27	36	53	61	81	92	122	73	79	81
	8	1.5	225	26	32	36	48	71	82	108	122	163	85	89	91
	10	1.6	420	32	39	46	60	88	102	135	153	204	82	84	86
	12	1.9	420	39	47	55	72	106	122	162	183	245	78	82	85
	14	1.9	421	45	55	64	84	124	143	189	214	285	85	88	90
	18	1.9	422	58	71	82	109	159	183	243	275	367	81	84	86
	22	1.9	625	71	87	100	133	194	224	297	336	449	70	72	75
26	2.2	625	84	103	119	157	230	265	351	398	530	73	74	77	

Other body types may be available. Contact your sales engineer for more information. **Highlighted column shows the rated pressure of the nozzles.**





PERFORMANCE DATA:
UNIJET® TN-SSTC HYDRAULIC HOLLOW CONE SPRAY TIPS

Body Inlet Conn. (mm)	Capacity Size	Orifice Dia. Nom. (mm)	Flow Rate Capacity (liters per hour)					Approximate Spray Pattern Dia. (at 30 cm distance) (cm)
			25 bar	50 bar	80 bar	100 bar	140 bar	
1/4	.60	.41	6.8	9.7	12.2	13.7	16.2	7.6
	.80	.34	9.1	12.9	16.3	18.2	22	7.6
	.90	.41	10.3	14.5	18.3	21	24	7.6
	1	.51	11.4	16.1	20	23	27	8.9
	1.5	.51	17.1	24	31	34	40	8.9
	1.8	.64	21	29	37	41	49	11.4
	2	.71	23	32	41	46	54	11.4
	3	.71	34	48	61	68	81	15.2
	4	1.1	46	64	82	91	108	20.3
	6	1.1	68	97	122	137	162	25.4
	8	1.5	91	129	163	182	216	30.5
	9	1.5	103	145	183	205	243	35.6
	10	1.6	114	161	204	228	270	40.6
	12	1.9	137	193	245	274	324	45.7
	14	1.9	160	226	285	319	378	35.6
	15	2.1	171	242	306	342	405	40.6
	16	2.2	182	258	326	365	432	45.7
	18	1.9	205	290	367	410	485	40.6
20	2.1	228	322	408	456	539	45.7	
22	1.9	251	355	449	501	593	30.5	
24	2.1	274	387	489	547	647	33	
26	2.2	296	419	530	593	701	35.6	

Spray pattern diameter is based on liquid with viscosity of 20 seconds #3 Zahn Cup spraying at 1600 psi (110 bar).

Coverage will vary with viscosities and pressures. Tabulated capacities are based on water.

Other body types may be available. Contact your sales engineer for more information.

Calibration pressure = 40 psi (3 bar).

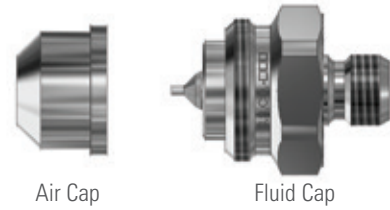
PLACING YOUR ORDER

**Call 1.630.665.5000 for application assistance
or to place an order.**



OVERVIEW: AIR ATOMIZING SPRAY NOZZLE SET-UPS

- Each spray set-up – consisting of an air cap and a fluid cap – provides a specific spray pattern, flow rate and spray coverage
- Within each nozzle series, spray set-ups are interchangeable, for versatile performance
- Air and liquid can be externally or internally mixed to produce a completely atomized spray
- Drip Free™ spray set-ups are used for all nozzle assemblies containing shut-off or clean-out needles to ensure positive liquid shut-off

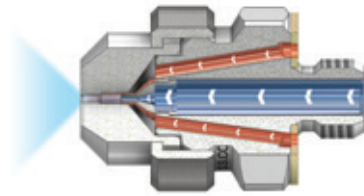


Air Cap

Fluid Cap

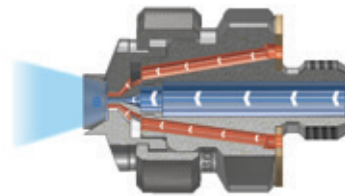
Spray Set-Ups

Each spray set-up consists of an air cap and a fluid cap.



Internal Mix Set-Ups

Liquid and air are mixed internally to produce an atomized spray. Liquid and gas streams are not independent – a change in air flow will affect the liquid flow.



External Mix Set-Ups

Liquid and air streams are mixed outside of the nozzle. Air and liquid flow can be controlled independently. Effective for higher viscosity liquids and abrasive suspensions.

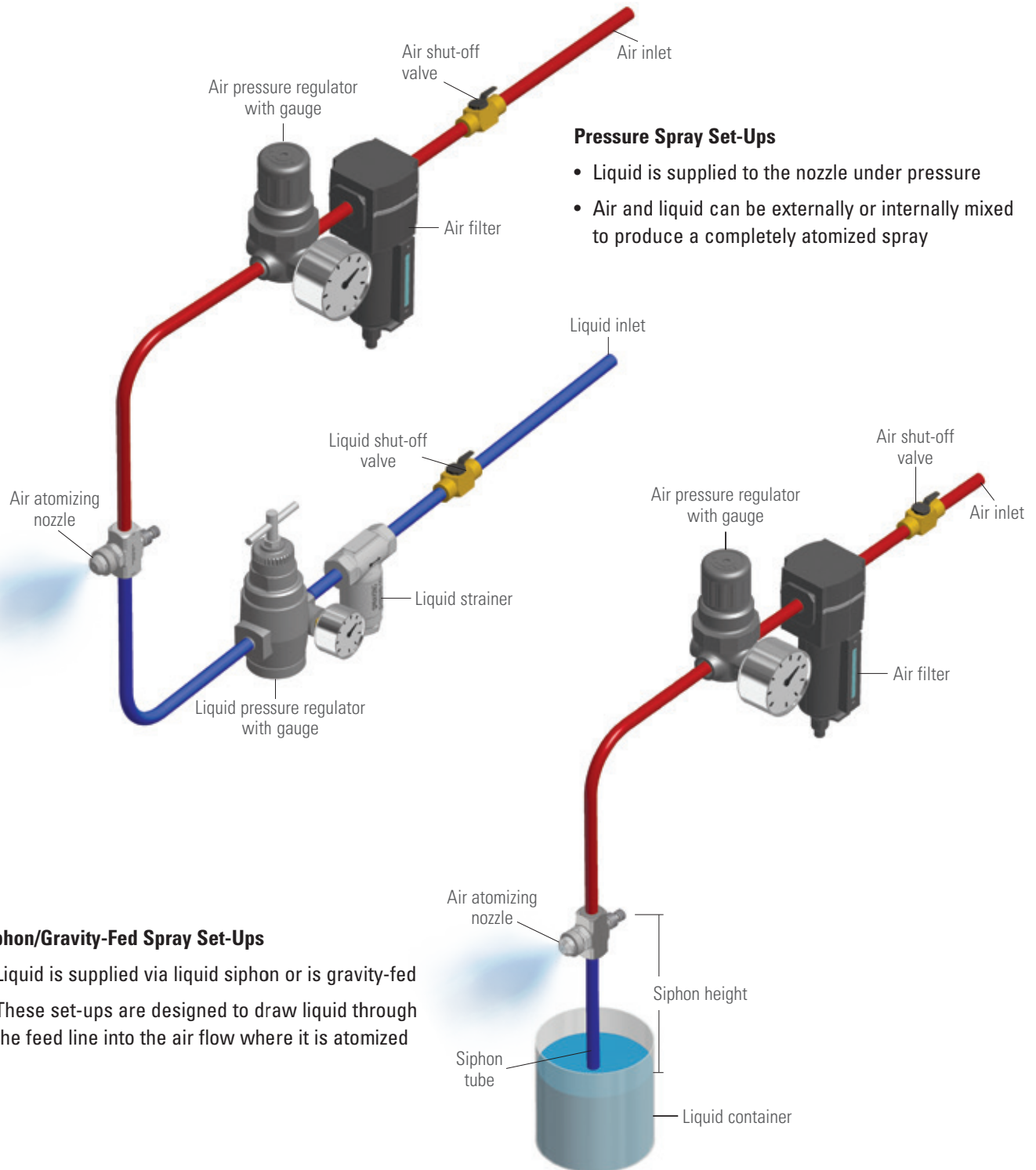
QUICK REFERENCE GUIDE

Spray Set-Up	Liquid Supply	Internal / External Mix	Spray Patterns	Max Flow	Page Number
1/4J Series	Pressure Feed Siphon/Gravity Feed	Both	<ul style="list-style-type: none"> • Flat Spray • Deflected Flat Spray • Round Spray • Wide Angle Round Spray • 360° Circular Spray 	72 gph (272.5 lph)	D24
1/8JJ Series	Pressure Feed Siphon/Gravity Feed	Both	<ul style="list-style-type: none"> • Flat Spray • Round Spray • Wide Angle Round Spray • 360° Circular Spray 	33.2 gph (126 lph)	D35
1/2J Series	Pressure Feed Siphon/Gravity Feed	Both	<ul style="list-style-type: none"> • Flat Spray • Round Spray • Wide Angle Round Spray 	306 gph (1158 lph)	D43
1J Series	Pressure Feed Siphon/Gravity Feed	Both	<ul style="list-style-type: none"> • Flat Spray • Round Spray • Wide Angle Round Spray 	29 gpm (110 lpm)	D49
QuickMist® Series	Pressure Feed Siphon/Gravity Feed	Internal Mix Only	<ul style="list-style-type: none"> • Flat Spray • Round Spray • Wide Angle Round Spray 	26 gpm (98 lpm)	D54
SUV and SUVM Series	Pressure Feed Only	External Mix Only	<ul style="list-style-type: none"> • Variable 	49.8 gph (188.5 lph)	D59 & D62



OVERVIEW: AIR ATOMIZING SPRAY FEED SET-UPS

- Liquid can be supplied to the nozzle under pressure or it can be supplied through a liquid siphon or gravity feed
- Filtration and pressure regulation are recommended on both the liquid and air line



Pressure Spray Set-Ups

- Liquid is supplied to the nozzle under pressure
- Air and liquid can be externally or internally mixed to produce a completely atomized spray

Siphon/Gravity-Fed Spray Set-Ups

- Liquid is supplied via liquid siphon or is gravity-fed
- These set-ups are designed to draw liquid through the feed line into the air flow where it is atomized



**PERFORMANCE DATA:
PRESSURE SPRAY SET-UPS | INTERNAL MIX | ROUND SPRAY**

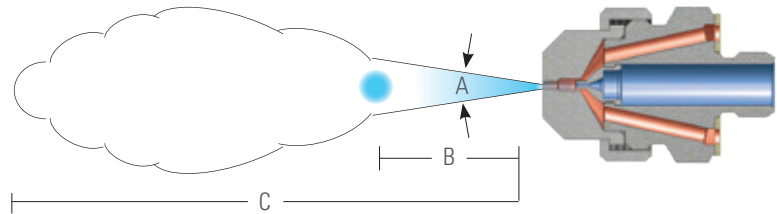
For a round spray pattern, angle "A" is maintained throughout distance "B". Beyond "B", the spray becomes turbulent and projects out to distance "C".

Liquid is supplied to this spray set-up under pressure.

Liquid and compressed air or gas are mixed internally to produce a completely atomized spray.

When ordering only a spray set-up, 3199 retainer ring and 3612 gasket must be ordered separately. These components are included in a complete air atomizing nozzle assembly.

Please contact your sales engineer for more information.



Spray Set-up No.	Spray Set-up Consists of Fluid and Air Cap Combination	Liquid Capacity (liters per hour)* and Air Capacity (liters per minute)*																Spray Dimensions		
		Liquid Pressure																		
		0.7 bar			1.5 bar			2 bar			3 bar			4 bar			Spray Angle A (°)	B (cm)	C (m)	
		Air Press.	l/h	Air l/min	Air Press.	l/h	Air l/min	Air Press.	l/h	Air l/min	Air Press.	l/h	Air l/min	Air Press.	l/h	Air l/min				
SU11	Fluid Cap 2050 + Air Cap 67147	.70	2.5	15.6	1.1	6.4	11.9	1.4	6.4	13.9	2.7	6.2	23	3.5	7.8	28	13 - 15	30 - 44	2.7 - 4.4	
		.85	1.8	19.0	1.4	5.0	15.0	1.7	5.5	16.7	2.8	5.7	25	3.7	7.3	29				
		1.0	1.4	22	1.7	4.1	18.7	2.0	4.5	19.8	3.0	5.2	27	3.9	6.4	33				
		-	-	-	1.8	3.4	20	2.2	3.4	24	3.1	4.7	29	4.2	5.5	38				
		-	-	-	2.0	3.0	23	2.4	3.0	26	3.2	4.3	31	4.5	4.5	43				
		-	-	-	2.1	2.6	25	2.5	2.5	28	3.4	3.9	33	4.6	4.1	45				
SU12A	Fluid Cap 2050 + Air Cap 73160	.70	2.5	18.7	1.4	5.7	27	1.7	6.7	29	2.2	9.2	34	2.8	11.9	39	12 - 15	43 - 56	3.7 - 5.2	
		.85	2.0	22	1.5	5.2	29	1.8	6.4	31	2.5	8.2	39	3.1	11.0	43				
		1.0	1.6	26	1.7	4.8	32	2.0	5.9	34	2.8	7.2	44	3.4	10.1	47				
		-	-	-	1.8	4.3	35	2.1	5.2	37	3.0	6.7	47	3.7	9.2	52				
		-	-	-	2.0	3.9	37	2.2	4.8	40	3.1	6.3	49	3.9	8.4	58				
		-	-	-	2.1	3.4	40	2.4	4.3	43	3.2	5.9	52	4.2	7.6	62				
SU12	Fluid Cap 2850 + Air Cap 73160	.85	4.8	21	1.7	8.4	31	2.0	10.7	33	2.7	16.5	37	3.4	20	43	12 - 15	48 - 60	4.0 - 5.3	
		1.1	4.1	27	1.8	7.5	35	2.1	9.8	37	2.8	15.4	38	3.7	18.4	47				
		1.4	3.4	33	2.0	7.0	37	2.4	8.2	42	3.1	13.6	43	3.9	16.8	50				
		1.7	3.0	39	2.5	4.8	49	3.0	5.9	55	3.7	10.4	55	4.5	13.8	60				
		2.0	2.8	44	3.1	3.6	59	3.5	4.1	65	4.2	7.9	65	4.9	11.8	68				

*At the stated pressure in bar.

Drip Free™ spray set-ups ensure positive shut-off and are provided for air atomizing assemblies containing a shut-off needle. For more information, call 1.630.665.5000.



**PERFORMANCE DATA:
PRESSURE SPRAY SET-UPS | INTERNAL MIX | ROUND SPRAY**

Spray Set-up No.	Spray Set-up Consists of Fluid and Air Cap Combination	Liquid Capacity (liters per hour)* and Air Capacity (liters per minute)*															Spray Dimensions		
		Liquid Pressure																	
		0.7 bar			1.5 bar			2 bar			3 bar			4 bar			Spray Angle A (°)	B (cm)	C (m)
		Air Press.	l/h	Air l/min	Air Press.	l/h	Air l/min	Air Press.	l/h	Air l/min	Air Press.	l/h	Air l/min	Air Press.	l/h	Air l/min			
SU22B	Fluid Cap 40100 + Air Cap 1401110	1.1	13.0	76	2.2	17.8	116	2.8	20	136	3.4	32	149	4.6	37	193	18 - 21	66 - 97	4.9 - 9.1
		1.4	8.9	91	2.5	13.1	130	3.1	16.3	149	3.9	25	170	5.3	29	220			
		1.7	5.8	105	3.1	7.0	157	3.9	7.0	187	5.3	9.1	240	6.0	21	250			
		2.0	3.6	119	3.5	4.2	178	4.6	3.0	220	6.0	5.0	275	6.7	14.0	290			
SU22	Fluid Cap 60100 + Air Cap 1401110	.85	31	57	1.4	61	69	2.1	53	96	2.7	80	103	3.8	88	135	17 - 21	61 - 91	4.9 - 8.5
		1.1	18.5	75	1.7	48	85	2.7	31	127	3.2	59	130	4.6	61	176			
		1.3	12.9	85	1.8	41	93	2.8	26	136	3.5	49	146	4.9	48	196			
		-	-	-	2.0	35	102	3.0	22	144	3.7	44	154	5.3	39	215			
		-	-	-	2.1	30	110	-	-	-	3.8	37	161	5.6	31	240			
		-	-	-	2.2	25	119	-	-	-	3.9	35	170	6.0	23	260			
SU42	Fluid Cap 100150 + Air Cap 1891125	1.0	44	86	1.4	125	79	2.0	123	108	2.2	199	88	3.0	250	99	19 - 22	89 - 117	6.1 - 9.1
		1.1	32	102	1.5	106	91	2.1	108	119	2.5	174	110	3.2	225	120			
		-	-	-	1.7	87	105	2.2	95	130	2.8	146	133	3.5	205	141			
		-	-	-	1.8	70	118	2.4	79	143	3.1	121	154	3.8	182	163			
		-	-	-	2.0	55	130	2.5	64	155	3.2	108	166	4.1	159	184			
		-	-	-	-	-	-	2.7	52	166	3.4	95	176	4.6	121	225			
		-	-	-	-	-	-	2.8	42	178	3.5	84	187	4.9	93	255			

*At the stated pressure in bar.

Drip Free™ spray set-ups ensure positive shut-off and are provided for air atomizing assemblies containing a shut-off needle. For more information, call 1.630.665.5000.

PLACING YOUR ORDER

**Call 1.630.665.5000 for application assistance
or to place an order.**





**PERFORMANCE DATA:
PRESSURE SPRAY SET-UPS | INTERNAL MIX | WIDE ANGLE ROUND SPRAY**

For a wide angle round spray, dimensions "A" and "B" are the pattern widths at distances from the nozzle.

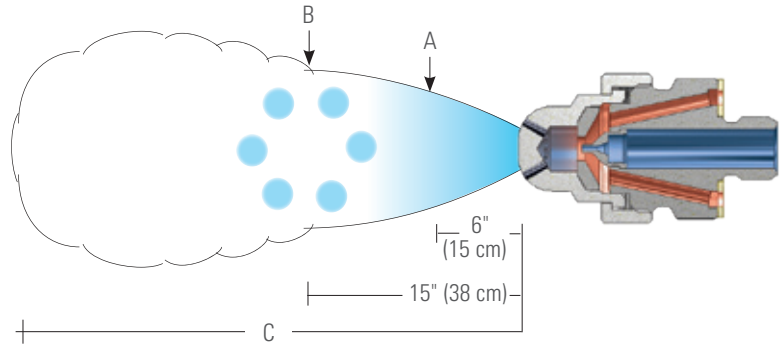
The total distance of spray projection from the nozzle to the maximum dispersal point is represented by "C".

Liquid is supplied to this spray set-up under pressure.

Liquid and compressed air or gas are mixed internally to produce a completely atomized spray.

When ordering only a spray set-up, 3199 retainer ring and 3612 gasket must be ordered separately. These components are included in a complete air atomizing nozzle assembly.

Please contact your sales engineer for more information.



Spray Set-up No.	Spray Set-up Consists of Fluid and Air Cap Combination	Liquid Capacity (liters per hour)* and Air Capacity (liters per minute)*														Spray Dimensions			
		Liquid Pressure														A (cm)	B (cm)	C (m)	
		0.7 bar		1.5 bar		2 bar		3 bar		4 bar									
		Air Press.	l/h	Air l/min	Air Press.	l/h	Air l/min	Air Press.	l/h	Air l/min	Air Press.	l/h	Air l/min	Air Press.	l/h				Air l/min
SU16	Fluid Cap 2050 + Air Cap 67-6-20-70°	.60	5.3	10.2	1.1	8.1	13.3	1.5	8.1	16.4	2.4	8.9	22	3.1	10.5	24	14 - 19	23 - 30	1.5 - 4.0
		.85	3.0	14.2	1.4	6.4	17.0	2.1	4.9	25	3.0	6.4	30	3.9	7.8	36			
		1.0	1.7	17.0	1.5	5.5	19.0	2.4	3.2	29	3.2	4.9	34	4.2	6.1	42			
		-	-	-	1.7	4.5	22	-	-	-	3.4	4.2	37	4.6	4.4	47			
		-	-	-	1.8	3.5	24	-	-	-	3.5	3.4	40	4.9	2.8	54			
SU26B	Fluid Cap 40100 + Air Cap 140-6-37-70°	.85	7.0	50	1.7	13.2	68	2.0	18.5	68	2.8	25	84	3.7	31	96	18 - 21	31 - 37	1.8 - 5.9
		1.0	2.1	62	1.8	9.8	79	2.1	15.1	76	3.0	22	92	3.8	28	105			
		-	-	-	-	-	-	2.2	11.7	85	3.1	18.5	101	3.9	26	113			
		-	-	-	-	-	-	-	-	-	3.2	15.1	109	4.1	23	122			
		-	-	-	-	-	-	-	-	-	3.4	12.1	119	4.2	20	130			
		-	-	-	-	-	-	-	-	-	3.5	9.1	130	4.6	13.6	153			
SU26	Fluid Cap 60100 + Air Cap 140-6-37-70°	.70	24	32	1.4	43	37	2.1	33	66	2.8	52	65	3.7	63	68	19 - 20	36 - 39	2.1 - 6.8
		.85	13.6	44	1.5	35	49	2.2	26	78	3.0	46	76	3.8	58	79			
		1.0	7.6	57	1.7	28	61	2.4	18.9	89	3.1	39	87	3.9	52	101			
		-	-	-	1.8	21	71	2.5	11.7	100	3.2	33	99	4.2	41	111			
		-	-	-	-	-	-	-	-	-	3.4	26	110	4.6	27	138			
		-	-	-	-	-	-	-	-	-	3.5	19.5	122	4.9	15.9	166			
		-	-	-	-	-	-	-	-	-	3.7	13.2	133	-	-	-			
SU29	Fluid Cap 60100 + Air Cap 140-6-52-70°	1.3	36	85	2.1	57	116	3.1	53	156	4.2	64	197	5.6	74	245	20-24	33 - 41	5.5 - 10.4
		1.5	29	102	2.4	51	130	3.2	50	163	4.9	51	230	6.0	68	260			
		1.8	23	117	2.7	45	143	3.4	47	170	5.6	40	265	6.3	62	280			
		2.1	16.7	133	3.2	33	170	3.9	38	194	6.3	28	300	7.0	51	315			
		2.4	11.4	149	4.2	13.6	220	4.9	18.5	245	7.0	17.8	335	-	-	-			

*At the stated pressure in bar.

Drip Free™ spray set-ups ensure positive shut-off and are provided for air atomizing assemblies containing a shut-off needle. For more information, call 1.630.665.5000.



PERFORMANCE DATA:
PRESSURE SPRAY SET-UPS | INTERNAL MIX | WIDE ANGLE ROUND SPRAY

Spray Set-up No.	Spray Set-up Consists of Fluid and Air Cap Combination	Liquid Capacity (liters per hour)* and Air Capacity (liters per minute)*															Spray Dimensions		
		Liquid Pressure																	
		0.7 bar			1.5 bar			2 bar			3 bar			4 bar			A (cm)	B (cm)	C (m)
		Air Press.	l/h	Air l/min	Air Press.	l/h	Air l/min	Air Press.	l/h	Air l/min	Air Press.	l/h	Air l/min	Air Press.	l/h	Air l/min			
SU30	Fluid Cap 40100 + Air Cap 120-6-35-60°	1.1	12.3	40	2.2	16.3	62	2.7	21	69	4.2	19.3	100	5.6	22	130	15 - 19	23 - 30	9 - 31
		1.4	7.9	50	2.8	8.9	79	3.2	12.3	86	4.9	10.8	124	6.3	14.0	152			
		1.7	4.9	58	3.1	6.4	87	3.5	9.3	94	5.6	6.2	146	7.0	9.1	174			
		2.0	3.1	67	3.4	4.7	95	4.2	4.7	115	6.3	4.0	167	-	-	-			
SU46	Fluid Cap 100150 + Air Cap 189-6-62-70°	1.7	25	156	3.0	39	230	3.4	50	250	4.6	62	320	6.0	93	395	24 - 33	46 - 58	5.5 - 9.8
		2.0	15.1	178	3.2	27	255	3.7	41	275	5.3	36	375	6.7	62	460			
		2.3	7.6	205	3.5	18.5	280	4.1	23	310	6.0	18.9	435	-	-	-			
		-	-	-	3.7	14.8	290	4.2	18.9	320	6.3	13.6	460	-	-	-			
-	-	-	-	-	-	4.4	15.9	335	-	-	-	-	-	-	-	-	-		

*At the stated pressure in bar.



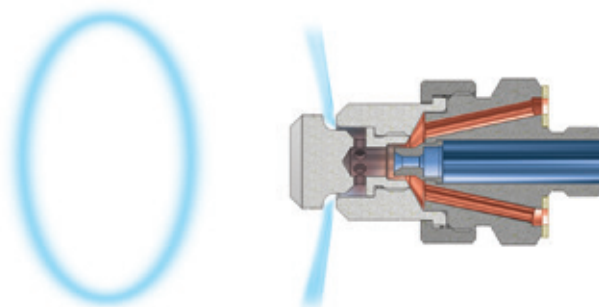
PERFORMANCE DATA:
PRESSURE SPRAY SET-UPS | INTERNAL MIX | 360° CIRCULAR SPRAY

Liquid is supplied to this spray set-up under pressure.

Liquid and compressed air or gas are mixed internally to produce a completely atomized spray.

When ordering only a spray set-up, 3199 retainer ring and 3612 gasket must be ordered separately. These components are included in a complete air atomizing nozzle assembly.

Please contact your sales engineer for more information.



360° circular spray pattern

Spray Set-up No.	Spray Set-up Consists of Fluid and Air Cap Combination	Liquid Capacity (liters per hour)* and Air Capacity (liters per minute)*														
		Liquid Pressure														
		0.7 bar			1.5 bar			2 bar			3 bar			4 bar		
		Air Press.	l/h	Air l/min	Air Press.	l/h	Air l/min	Air Press.	l/h	Air l/min	Air Press.	l/h	Air l/min	Air Press.	l/h	Air l/min
SU340C	Fluid Cap 60150 + Air Cap 189-6-62-160HC	1.4	15.1	69	2.8	19.5	142	3.5	21	185	4.2	48	210	6.0	45	340
		1.5	10.6	77	3.0	16.1	153	3.7	17.6	196	4.6	37	240	6.3	37	375
		1.7	7.6	84	3.1	13.2	165	3.8	14.8	210	4.9	28	275	6.7	30	405
		1.8	5.7	93	3.2	10.6	177	3.9	12.5	220	5.6	15.5	340	7.0	24	440
		2.0	4.2	103	3.4	8.3	188	4.2	8.1	245	6.3	7.8	425	-	-	-

*At the stated pressure in bar.

Drip Free™ spray set-ups ensure positive shut-off and are provided for air atomizing assemblies containing a shut-off needle. For more information, call 1.630.665.5000.





**PERFORMANCE DATA:
PRESSURE SPRAY SET-UPS | INTERNAL MIX | FLAT SPRAY**

For a flat spray pattern, "A" and "B" are the pattern widths at distances from the nozzle.

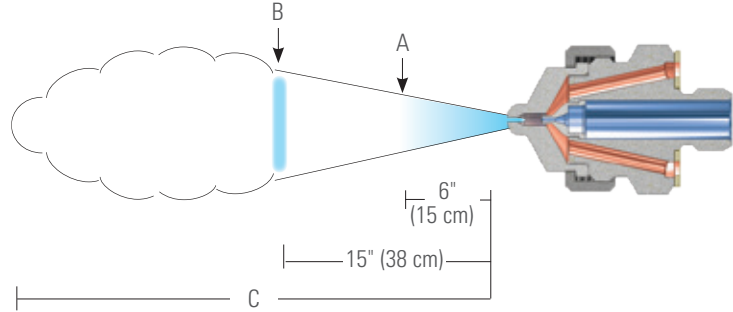
The total distance of spray projection from the nozzle to the maximum dispersal point is represented by "C".

Liquid is supplied to this spray set-up under pressure.

Liquid and compressed air or gas are mixed internally to produce a completely atomized spray.

When ordering only a spray set-up, 3199 retainer ring and 3612 gasket must be ordered separately. These components are included in a complete air atomizing nozzle assembly.

Please contact your sales engineer for more information



Spray Set-up No.	Spray Set-up Consists of Fluid and Air Cap Combination	Liquid Capacity (liters per hour)* and Air Capacity (liters per minute)*														Spray Dimensions			
		Liquid Pressure																	
		0.7 bar		1.5 bar			2 bar		3 bar		4 bar			A (cm)	B (cm)	C (m)			
Air Press.	l/h	Air l/min	Air Press.	l/h	Air l/min	Air Press.	l/h	Air l/min	Air Press.	l/h	Air l/min	Air Press.	l/h	Air l/min					
SU13A	Fluid Cap 2050 + Air Cap 73328	.70	5.5	24	1.3	9.1	31	2.0	8.6	42	2.7	11.2	52	3.9	12.0	69	25 - 56	46 - 94	2.6 - 4.0
		1.0	4.1	31	1.8	6.5	42	2.5	6.2	52	3.2	9.1	62	5.3	7.5	93			
		1.1	3.5	34	2.1	5.4	47	2.8	5.2	57	3.5	8.1	66	6.0	5.3	104			
		1.4	2.5	40	2.7	3.3	57	3.2	3.7	65	4.6	4.2	85	6.7	3.3	116			
		1.5	2.0	44	2.8	2.8	60	3.4	3.2	68	4.9	3.1	91	7.0	2.4	122			
SU13	Fluid Cap 2850 + Air Cap 73328	.85	8.2	19.8	1.4	14.4	27	2.1	13.5	36	2.7	19.1	42	4.6	16.1	69	36 - 58	71 - 97	2.1 - 3.2
		1.1	5.5	27	2.0	9.5	37	2.7	9.2	47	3.2	15.1	52	5.3	11.5	83			
		1.4	2.9	34	2.2	7.1	43	3.2	5.0	59	4.2	8.1	72	6.0	7.3	97			
		-	-	-	2.4	6.1	46	3.4	4.0	63	4.6	5.9	79	6.3	5.6	104			
		-	-	-	2.5	5.1	49	3.5	3.3	66	4.9	4.0	86	6.7	4.3	112			
SUN13	Fluid Cap 2850 + Air Cap 73335	1.1	7.8	30	2.1	9.3	45	2.5	10.4	51	3.2	14.6	59	4.6	15.0	80	10 - 20	17 - 33	3.0 - 4.8
		1.4	5.2	36	2.5	6.1	55	3.0	7.3	61	3.8	10.8	71	5.3	11.0	94			
		1.7	3.1	44	2.8	4.3	62	3.2	5.5	68	4.2	8.5	82	5.6	9.4	103			
		2.2	1.1	56	3.4	2.0	75	3.8	2.9	81	6.0	2.3	120	7.0	6.1	134			
SU14	Fluid Cap 2850 + Air Cap 73320	1.3	3.9	30	2.1	7.4	40	3.0	6.1	52	3.9	9.4	60	5.3	10.2	78	25 - 64	46 - 97	1.8 - 2.3
		1.5	2.3	35	2.5	4.4	47	3.2	4.5	57	4.6	5.3	73	6.0	6.6	89			
		1.8	1.3	41	2.8	3.1	52	3.5	3.2	62	-	-	-	-	-	-			
		2.0	.95	44	3.0	2.6	55	3.9	1.8	68	-	-	-	-	-	-			
		-	-	-	3.1	2.1	57	-	-	-	-	-	-	-	-	-			
SUN23	Fluid Cap 60100 + Air Cap 125340	1.1	11.0	27	2.1	18.9	50	2.5	23	59	3.5	33	80	4.2	53	89	10 - 20	15 - 35	2.4 - 4.0
		1.4	3.2	40	2.4	10.6	63	2.8	15.1	74	3.8	23	97	4.9	30	127			
		-	-	-	-	-	-	-	-	-	4.2	13.1	120	5.6	13.8	173			
		-	-	-	-	-	-	-	-	-	4.6	7.2	138	6.3	3.2	225			
SU23B	Fluid Cap 40100 + Air Cap 125328	1.1	11.2	54	2.1	18.0	79	2.7	19.6	93	3.5	27	112	4.6	33	137	15 - 33	20 - 48	3.0 - 4.0
		1.4	6.5	65	2.4	13.6	89	3.0	15.2	103	3.8	23	121	5.3	24	161			
		1.7	3.8	77	-	-	-	3.2	11.4	114	4.1	18.9	132	6.0	15.7	187			
		-	-	-	-	-	-	-	-	-	4.2	17.0	137	6.3	12.4	200			

*At the stated pressure in bar.

Drip Free™ spray set-ups ensure positive shut-off and are provided for air atomizing assemblies containing a shut-off needle. For more information, call 1.630.665.5000.



**PERFORMANCE DATA:
PRESSURE SPRAY SET-UPS | INTERNAL MIX | FLAT SPRAY**

Spray Set-up No.	Spray Set-up Consists of Fluid and Air Cap Combination	Liquid Capacity (liters per hour)* and Air Capacity (liters per minute)*															Spray Dimensions		
		Liquid Pressure																	
		0.7 bar			1.5 bar			2 bar			3 bar			4 bar			A (cm)	B (cm)	C (m)
		Air Press.	l/h	Air l/min	Air Press.	l/h	Air l/min	Air Press.	l/h	Air l/min	Air Press.	l/h	Air l/min	Air Press.	l/h	Air l/min			
SU23	Fluid Cap 60100 + Air Cap 125328	.85	27	33	1.8	38	55	2.4	39	67	3.2	58	76	4.6	59	106	18 - 33	30 - 51	3.4 - 4.4
		1.1	15.9	45	2.2	24	71	3.0	24	87	3.8	38	97	5.6	32	145			
		1.4	10.2	56	2.5	17.8	82	3.4	15.1	103	4.2	27	113	6.3	20	172			
		1.5	7.6	62	2.7	15.1	87	3.5	12.9	109	4.6	20	126	6.7	15.9	185			
		-	-	-	-	-	-	3.7	10.6	114	4.9	14.8	140	7.0	12.7	198			
SU43	Fluid Cap 100150 + Air Cap 189351	1.0	29	90	1.8	56	117	2.1	100	119	3.0	126	140	4.1	140	181	18 - 36	25 - 58	3.4 - 5.2
		1.1	18.9	108	2.0	40	133	2.2	79	133	3.1	110	151	4.2	125	193			
		-	-	-	-	-	-	2.4	62	147	3.2	95	163	4.6	89	225			
		-	-	-	-	-	-	2.7	36	177	3.5	62	193	5.3	34	305			
		-	-	-	-	-	-	-	-	-	3.7	48	210	5.6	16.7	340			
		-	-	-	-	-	-	-	-	-	3.8	37	225	-	-	-			

*At the stated pressure in bar.



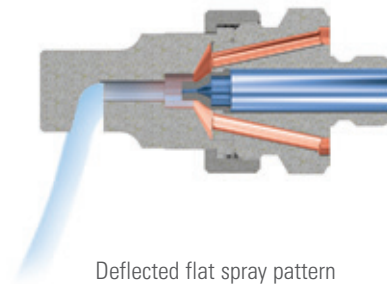
**PERFORMANCE DATA:
PRESSURE SPRAY SET-UPS | INTERNAL MIX | DEFLECTED FLAT SPRAY**

Liquid is supplied to this spray set-up under pressure.

Liquid and compressed air or gas are mixed internally to produce a completely atomized spray.

When ordering only a spray set-up, 3199 retainer ring and 3612 gasket must be ordered separately. These components are included in a complete air atomizing nozzle assembly.

Please contact your sales engineer for more information.



Deflected flat spray pattern

Spray Set-up No.	Spray Set-up Consists of Fluid and Air Cap Combination	Liquid Capacity (liters per hour)* and Air Capacity (liters per minute)*														
		Liquid Pressure														
		0.7 bar			1.5 bar			2 bar			3 bar			4 bar		
		Air Press.	l/h	Air l/min	Air Press.	l/h	Air l/min	Air Press.	l/h	Air l/min	Air Press.	l/h	Air l/min	Air Press.	l/h	Air l/min
SU240E	Fluid Cap 28150 + Air Cap 189110-75°	.40	11.0	45	1.1	14.5	79	1.5	15.7	96	2.1	20	114	2.7	26	133
		.60	9.5	54	1.3	13.2	86	1.7	14.3	104	2.2	19.2	121	3.2	22	160
		.70	7.6	65	1.4	11.8	95	1.8	12.9	112	2.7	15.8	146	3.8	17.7	186
		.80	5.7	77	1.5	10.0	103	2.1	9.8	130	3.1	11.8	173	4.4	13.1	230
		-	-	-	1.7	8.7	113	2.2	8.3	142	3.2	10.3	183	4.6	10.2	250

*At the stated pressure in bar.

Drip Free™ spray set-ups ensure positive shut-off and are provided for air atomizing assemblies containing a shut-off needle. For more information, call 1.630.665.5000.





**PERFORMANCE DATA:
PRESSURE SPRAY SET-UPS | EXTERNAL MIX | FLAT SPRAY**

For a flat spray pattern, "A" and "B" are the pattern widths at distances from the nozzle.

The total distance of spray projection from the nozzle to the maximum dispersal point is represented by "C".

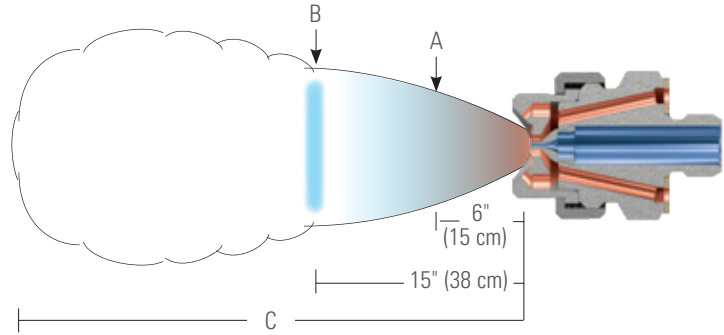
Liquid is supplied to this spray set-up under pressure.

The liquid and compressed air or gas are mixed externally to produce a completely atomized spray.

For external mix spray set-ups, atomization can be controlled by varying the air pressure without changing liquid flow rate.

When ordering only a spray set-up, 3199 retainer ring and 3612 gasket must be ordered separately. These components are included in a complete air atomizing nozzle assembly.

Please contact your sales engineer for more information.



Spray Set-up No.	Spray Set-up Consists of Fluid and Air Cap Combination	Liquid Capacity (liters per hour)* and Air Capacity (liters per minute)*														Spray Dimensions			
		Liquid Pressure														A (cm)	B (cm)	C (m)	
		0.2 bar		0.3 bar		0.7 bar		1.5 bar		3 bar									
Air Press.	l/h	Air l/min	Air Press.	l/h	Air l/min	Air Press.	l/h	Air l/min	Air Press.	l/h	Air l/min	Air Press.	l/h	Air l/min					
SUE15B	Fluid Cap 1650 + Air Cap 67228-45°	.20	2.8	25.2	3.5	3.5	26.3	.70	5.3	31.2	1.4	7.8	45.3	2.8	11.0	73.6	9.0 - 15.0	23 - 24	.90 - 2.4
		.70	2.8	31.2	1.05	3.5	39.6	1.4	5.3	45.3	2.1	7.8	59.5	4.2	11.0	102			
		1.4	2.8	45.3	1.75	3.5	53.8	2.1	5.3	59.4	3.5	7.8	85	5.3	11.0	127.5			
		1.75	2.8	53.8	2.1	3.5	59.4	2.8	5.3	73.6	4.2	7.8	102	5.6	11.0	139			
		2.1	2.8	59.4	2.8	3.5	73.6	3.5	5.3	85	5.6	7.8	139	6.3	11.0	159			
SUE18B	Fluid Cap 1650 + Air Cap 62240-60°	.35	2.8	22	.35	3.5	22	.40	5.3	25	.60	7.8	28	.70	11.0	34	20 - 30	33 - 51	1.2 - 2.7
		.40	2.8	25	.40	3.5	25	.60	5.3	28	.70	7.8	34	1.1	11.0	45			
		.50	2.8	27.5	.60	3.5	28	.70	5.3	34	1.1	7.8	45	1.8	11.0	62			
		.60	2.8	28	.70	3.5	34	.85	5.3	40	1.4	7.8	54	2.5	11.0	79			
SUE15A	Fluid Cap 2050 + Air Cap 67228-45°	.35	4.5	26.3	.70	5.5	31.2	1.05	8.3	39.6	1.75	12.2	53.8	3.15	16.6	82	7.5 - 15.0	22 - 25	1.0 - 3.0
		1.05	4.5	39.6	1.4	5.5	45.3	1.75	8.3	53.8	2.8	12.2	73.6	4.2	16.6	102			
		1.75	4.5	53.8	2.1	5.5	59.4	2.8	8.3	73.6	4.2	12.2	102	5.25	16.6	127			
		2.1	4.5	59.4	2.8	5.5	73.6	3.5	8.3	85	4.9	12.2	119	6.3	16.6	159			
		2.8	4.5	73.6	3.5	5.5	85	4.2	8.3	102	6.3	12.2	159	6.7	16.6	164			
SUE18A	Fluid Cap 2050 + Air Cap 62240-60°	.35	4.5	22	.35	5.5	22	.60	8.3	28	.70	12.2	34	1.1	16.6	45	28 - 41	40 - 66	1.5 - 2.9
		.60	4.5	28	.70	5.5	34	.70	8.3	34	1.4	12.2	54	1.4	16.6	54			
		.70	4.5	34	1.1	5.5	45	1.4	8.3	54	2.1	12.2	71	2.1	16.6	71			
		1.1	4.5	45	1.4	5.5	54	2.1	8.3	71	2.5	12.2	79	2.5	16.6	79			
SUE15	Fluid Cap 2850 + Air Cap 67228-45°	.70	8.5	31.2	1.05	10.4	39.6	1.4	15.9	45.3	2.5	23	68	3.5	33	85	13.0 - 16.5	25 - 30	1.2 - 4.0
		1.4	8.5	45.3	1.75	10.4	53.8	2.1	15.9	59.4	3.5	23	85	4.9	33	119			
		2.1	8.5	59.4	2.8	10.4	73.6	3.5	15.9	85.0	4.9	23	119	5.6	33	139			
		2.8	8.5	73.6	3.5	10.4	85	4.2	15.9	102	5.6	23	139	6.3	33	159			
		3.5	8.5	85	4.2	10.4	102	4.9	15.9	119	6.3	23	159	7.0	33	176			

*At the stated pressure in bar.

Anti-bearding set-ups are available to reduce nozzle build-up and maintenance time for select external mix air atomizing nozzles. Drip Free™ spray set-ups ensure positive shut-off and are provided for air atomizing assemblies containing a shut-off needle. For more information, call 1.630.665.5000.



**PERFORMANCE DATA:
PRESSURE SPRAY SET-UPS | EXTERNAL MIX | FLAT SPRAY**

Spray Set-up No.	Spray Set-up Consists of Fluid and Air Cap Combination	Liquid Capacity (liters per hour)* and Air Capacity (liters per minute)*															Spray Dimensions		
		Liquid Pressure																	
		0.2 bar			0.3 bar			0.7 bar			1.5 bar			3 bar			A (cm)	B (cm)	C (m)
		Air Press.	l/h	Air l/min	Air Press.	l/h	Air l/min	Air Press.	l/h	Air l/min	Air Press.	l/h	Air l/min	Air Press.	l/h	Air l/min			
SUE18	Fluid Cap 2850 + Air Cap 62240-60°	.40	8.5	25	.40	10.4	25	.40	15.9	25	.70	23	34	1.4	33	54	35 - 41	61 - 69	1.8 - 2.9
		.50	8.5	27.5	.60	10.4	28	.60	15.9	28	.85	23	40	1.8	33	62			
		.60	8.5	28	.65	10.4	31	.70	15.9	34	1.1	23	45	2.1	33	71			
		.70	8.5	34	.70	10.4	34	.85	15.9	40	1.4	23	54	2.5	33	79			
SUE25B	Fluid Cap 35100 + Air Cap 134255-45°	.70	13.4	85	1.0	16.4	102	1.4	25	116	2.5	37	178	3.2	52	212	13.0 - 16.5	25 - 37	1.7 - 4.9
		1.4	13.4	116	1.8	16.4	139	2.1	25	156	3.5	37	227	3.9	52	255			
		2.1	13.4	156	2.8	16.4	195	2.8	25	195	4.9	37	312	4.9	52	314			
		2.8	13.4	195	3.5	16.4	227	3.5	25	227	5.6	37	360	5.6	52	360			
SUE28B	Fluid Cap 35100 + Air Cap 122281-60°	.60	13.4	91	.70	16.4	102	1.4	25	156	2.1	37	210	3.2	52	285	33 - 41	48 - 71	3.8 - 5.2
		.70	13.4	102	1.1	16.4	130	2.1	25	210	2.8	37	260	4.2	52	360			
		1.1	13.4	130	1.8	16.4	184	2.5	25	235	3.5	37	310	5.3	52	430			
		1.4	13.4	156	2.1	16.4	210	2.8	25	260	4.2	37	360	5.6	52	455			
SUE25A	Fluid Cap 40100 + Air Cap 134255-45°	.70	17.6	85	1.4	22	116	1.8	33	139	2.8	48	195	3.5	68	232	15.0 - 18.0	27 - 37	2.1 - 5.8
		1.4	17.6	116	2.1	22	156	2.5	33	178	3.5	48	227	4.9	68	314			
		2.1	17.6	156	2.8	22	195	3.5	33	227	4.9	48	312	5.6	68	360			
		2.8	17.6	195	3.5	22	227	4.2	33	266	5.6	48	360	6.3	68	411			
SUE28A	Fluid Cap 40100 + Air Cap 122281-60°	.60	17.6	91	.70	22	102	1.1	33	130	2.5	48	235	3.5	68	310	33 - 38	51 - 64	3.0 - 5.2
		1.1	17.6	130	1.4	22	156	1.8	33	184	3.2	48	285	4.6	68	380			
		1.4	17.6	156	1.8	22	184	2.5	33	235	3.9	48	330	6.0	68	475			
		1.8	17.6	184	2.1	22	210	2.8	33	260	4.2	48	360	6.7	68	525			
SUE28	Fluid Cap 60100 + Air Cap 122281-60°	1.1	36	130	1.4	45	156	2.1	68	210	3.5	100	310	6.0	141	475	38 - 48	76 - 84	3.0 - 5.8
		1.4	36	156	2.1	45	210	2.8	68	260	4.9	100	405	6.7	141	525			
		1.8	36	184	2.5	45	235	3.2	68	285	5.9	100	455	7.0	141	550			
SUE25	Fluid Cap 60100 + Air Cap 134255-45°	1.4	36	116	2.1	45	156	2.8	68	195	3.5	100	227	4.2	141	275	15.0 - 19.0	25 - 38	2.7 - 5.9
		2.1	36	156	2.8	45	195	3.5	68	227	4.2	100	266	4.9	141	314			
		2.8	36	195	3.5	45	227	4.9	68	312	5.6	100	360	6.3	141	411			
		3.5	36	227	4.2	45	266	5.6	68	360	6.3	100	411	7.0	141	453			
SUE45B	Fluid Cap 60150 + Air Cap 200278-45°	2.1	36	260	2.1	45	260	2.8	68	330	4.2	100	445	-	-	-	15.0 - 17.0	29 - 34	3.0 - 5.5
		2.8	36	330	2.8	45	330	3.5	68	380	4.9	100	529	-	-	-			
		3.5	36	380	3.5	45	380	4.2	68	445	5.6	100	600	-	-	-			
		4.2	36	445	4.2	45	445	4.9	68	520	6.3	100	685	-	-	-			
SUE45A	Fluid Cap 80150 + Air Cap 200278-45°	2.1	64	260	2.8	78	330	3.9	119	410	4.9	175	520	-	-	-	17.0 - 20	34 - 38	3.5 - 6.1
		2.8	64	330	3.5	78	380	4.6	119	480	5.6	175	600	-	-	-			
		3.5	64	380	4.2	78	445	5.3	119	565	6.3	175	685	-	-	-			
		4.2	64	445	4.9	78	520	5.6	119	600	-	-	-	-	-	-			
		4.9	64	520	5.6	78	600	6.3	119	685	-	-	-	-	-	-			
SUE45	Fluid Cap 100150 + Air Cap 200278-45°	2.8	102	330	3.5	125	380	4.6	192	480	5.6	280	600	-	-	-	19.0 - 22	36 - 41	4.6 - 6.1
		3.5	102	380	4.2	125	445	5.3	192	565	6.3	280	685	-	-	-			
		4.2	102	445	4.9	125	520	6.0	192	640	-	-	-	-	-	-			
		4.9	102	520	5.6	125	600	-	-	-	-	-	-	-	-	-			

*At the stated pressure in bar.

Anti-bearding set-ups are available to reduce nozzle build-up and maintenance time for select external mix air atomizing nozzles. Drip Free™ spray set-ups ensure positive shut-off and are provided for air atomizing assemblies containing a shut-off needle. For more information, call 1.630.665.5000.





**PERFORMANCE DATA:
SIPHON/GRAVITY SPRAY SET-UPS | INTERNAL MIX | FLAT SPRAY**

For a flat spray pattern, "A" and "B" are the pattern widths at distances from the nozzle.

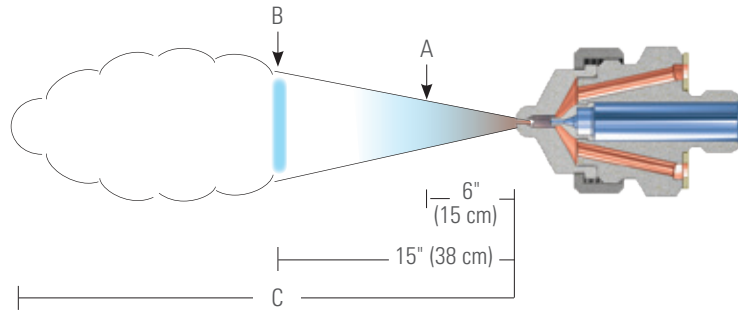
The total distance of spray projection from the nozzle to the maximum dispersal point is represented by "C".

Liquid is supplied to this spray set-up by either a liquid siphon or a gravity-feed.

Liquid is drawn through the feed line into the air flow where it is atomized.

When ordering only a spray set-up, 3199 retainer ring and 3612 gasket must be ordered separately. These components are included in a complete air atomizing nozzle assembly.

Please contact your sales engineer for more information.



Spray Set-up No.	Spray Set-up Consists of Fluid and Air Cap Combination	Atomizing Air		Liquid Capacity (liters per hour)*								Spray Dimensions at 20 cm Siphon Height		
		Air Press.	Air Capacity l/min	Gravity Head (cm)			Siphon Height (cm)					A (cm)	B (cm)	C (m)
				45	30	15	10	20	30	60	90			
SUF1	Fluid Cap 2850 + Air Cap 73420	.70	28	1.3	1.2	1.1	1.0	.95	.83	.64	.49	20 - 23	38	1.8 - 2.1
		1.5	43	1.2	1.1	1.0	.90	.86	.78	.66	.54			
		2.0	50	.82	.76	.68	.57	.50	-	-	-			
SUF2C	Fluid Cap 35100 + Air Cap 120432	1.5	56	3.7	3.5	3.3	2.9	2.8	2.5	2.3	2.1	23 - 28	38 - 48	2.7 - 3.0
		2.0	65	3.4	3.3	3.1	2.8	2.7	2.6	2.4	2.2			
		3.0	87	2.8	2.7	2.5	2.4	2.2	2.1	1.9	1.7			
		4.0	110	1.9	1.8	1.6	1.5	1.3	1.2	-	-			
SUF3B	Fluid Cap 40100 + Air Cap 122435	1.5	68	5.1	4.8	4.5	3.8	3.7	3.5	3.0	2.4	19 - 22	27 - 30	3.0 - 3.4
		2.0	78	4.9	4.7	4.4	3.6	3.4	3.2	2.9	2.3			
		3.0	103	3.4	3.2	3.0	2.2	2.0	1.7	-	-			
		3.5	117	2.2	2.0	1.7	-	-	-	-	-			
SUF4B	Fluid Cap 40100 + Air Cap 122440	1.5	63	7.6	7.2	6.6	5.7	5.4	5.1	4.6	3.7	17 - 20	27 - 33	3.4
		2.0	73	7.6	7.3	6.8	5.9	5.7	5.5	5.0	4.2			
		3.0	96	6.4	6.1	5.7	5.0	4.5	4.1	3.3	-			
		3.5	110	4.2	3.7	3.2	2.6	-	-	-	-			

*At the stated pressure in bar.

Drip Free™ spray set-ups ensure positive shut-off and are provided for air atomizing assemblies containing a shut-off needle. For more information, call 1.630.665.5000.





PERFORMANCE DATA:
SIPHON/GRAVITY SPRAY SET-UPS | EXTERNAL MIX | ROUND SPRAY

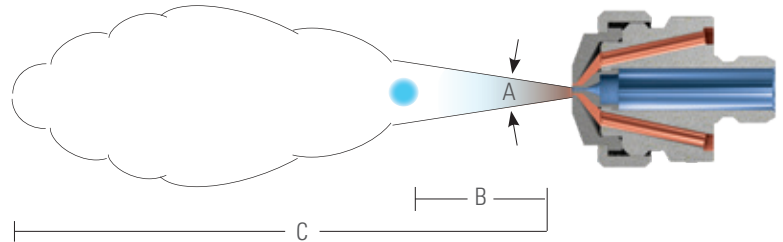
For a round spray pattern, angle "A" is maintained throughout distance "B". Beyond "B", the spray becomes turbulent and projects out to distance "C".

Liquid is supplied to this spray set-up by either a liquid siphon or a gravity-feed.

Liquid is drawn through the feed line into the air flow where it is atomized.

When ordering only a spray set-up, 3199 retainer ring and 3612 gasket must be ordered separately. These components are included in a complete air atomizing nozzle assembly.

Please contact your sales engineer for more information.

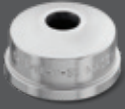


Spray Set-up No.	Spray Set-up Consists of Fluid and Air Cap Combination	Atomizing Air		Liquid Capacity (liters per hour)*								Spray Dimensions at 20 cm Siphon Height		
		Air Press.	Air Capacity l/min	Gravity Head (cm)			Siphon Height (cm)					Spray Angle A (°)	B (cm)	C (m)
				45	30	15	10	20	30	60	90			
SU1A	Fluid Cap 1650 + Air Cap 64	.70	11.3	1.5	1.3	1.1	.87	.68	.53	–	–	18	28 - 36	1.8 - 2.6
		1.5	17.0	1.8	1.7	1.5	1.3	1.2	1.1	.62	–			
		3.0	28	2.1	1.9	1.7	1.5	1.4	1.3	1.1	.76			
		4.0	36	2.2	2.0	1.8	1.6	1.5	1.4	1.2	.87			
SU1	Fluid Cap 2050 + Air Cap 64	.70	13.3	2.4	2.1	1.7	1.5	1.2	.79	–	–	18 - 19	30 - 43	2.1 - 3.0
		1.5	20	2.8	2.6	2.4	2.1	1.9	1.6	.91	–			
		3.0	32	3.4	3.1	2.9	2.8	2.6	2.4	1.7	1.1			
		4.0	41	3.7	3.4	3.3	3.1	2.9	2.7	2.1	1.5			
SU2A	Fluid Cap 2050 + Air Cap 70	.70	23	2.5	2.3	2.0	1.6	1.4	1.1	–	–	18 - 20	30 - 43	2.4 - 4.0
		1.5	36	2.9	2.8	2.5	2.2	2.0	1.7	.89	–			
		3.0	58	3.4	3.3	3.2	2.9	2.8	2.5	1.9	1.2			
		4.0	74	3.7	3.6	3.5	3.4	3.3	3.0	2.5	2.0			
SU2	Fluid Cap 2850 + Air Cap 70	.70	19.3	4.5	4.0	3.4	2.1	1.8	1.4	–	–	21 - 22	38 - 51	3.0 - 4.6
		1.5	31	5.3	4.9	4.4	3.5	2.9	2.7	1.8	–			
		3.0	50	6.0	5.6	5.0	4.4	4.0	3.4	2.4	1.2			
		4.0	65	5.7	5.4	5.0	4.2	3.9	3.5	2.8	1.9			
SU4	Fluid Cap 60100 + Air Cap 120	1.5	58	22	19.9	16.3	12.3	10.5	8.3	2.8	–	17 - 19	46 - 58	3.7 - 5.5
		3.0	88	25	23	19.5	16.7	14.2	11.5	6.4	2.8			
		4.0	111	26	24	21	18.4	15.7	12.9	7.9	4.5			
		5.6	147	26	24	22	19.7	17.0	14.6	9.8	6.1			
SU5	Fluid Cap 100150 + Air Cap 180	2.0	144	–	–	–	27	22	16.8	–	–	20 - 22	51 - 63	6.7 - 8.2
		3.0	190	–	–	–	30	26	21	–	–			
		4.0	240	–	43	40	31	28	23	11.0	–			
		5.6	315	44	42	39	31	28	24	16.7	8.3			

*At the stated pressure in bar.

Anti-bearding set-ups are available to reduce nozzle build-up and maintenance time for select external mix air atomizing nozzles. Drip Free™ spray set-ups ensure positive shut-off and are provided for air atomizing assemblies containing a shut-off needle. For more information, call 1.630.665.5000.





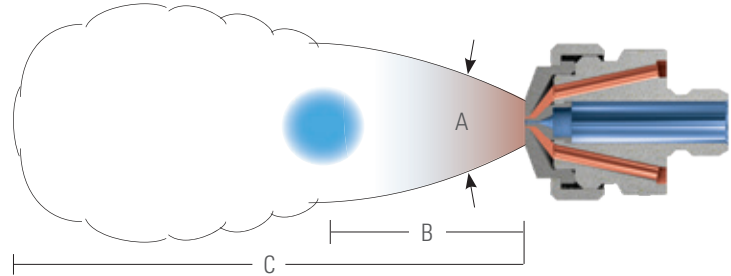
**PERFORMANCE DATA:
SIPHON/GRAVITY SPRAY SET-UPS | EXTERNAL MIX | WIDE ANGLE ROUND SPRAY**

For this wide angle round spray pattern, angle "A" is maintained throughout distance "B". Beyond "B", the spray becomes turbulent and projects out to distance "C".

Liquid is supplied to this spray set-up by either a liquid siphon or a gravity-feed.

Liquid is drawn through the feed line into the air flow where it is atomized.

Please contact your sales engineer for more information.



Spray Set-up No.	Atomizing Air		Liquid Capacity (liters per hour)*							Spray Dimensions at 20 cm Siphon Height		
	Air Press.	Air Capacity (l/min)	Gravity Head (cm)			Siphon Height (cm)				Spray Angle A (°)	B (cm)	C (m)
			45	30	15	10	20	30	60			
D-SU1A-W D-SU1A-W-CO	0.5	32	1.6	1.5	1.4	1.3	1.2	1.1	0.60	30 - 40	10 - 25	1.8 - 2.1
	0.7	40	1.9	1.8	1.6	1.5	1.4	1.4	1.1			
	1.0	50	2.2	2.0	2.0	1.9	1.8	1.8	1.5			
	1.5	69	2.5	2.5	2.4	2.3	2.3	2.3	2.1			
D-SU1-W D-SU1-W-CO	0.5	45	2.6	2.4	2.3	2.0	1.9	1.7	1.0	32 - 40	15 - 30	1.9 - 2.4
	0.7	54	2.9	2.7	2.6	2.4	2.3	2.1	1.7			
	1.0	69	3.3	3.2	3.1	2.9	2.8	2.7	2.4			
	1.5	91	4.0	3.9	3.8	3.6	3.6	3.5	3.2			
D-SU2A-W D-SU2A-W-CO	0.5	45	2.5	2.4	2.3	2.2	2.1	1.9	1.5	30 - 40	15 - 30	1.9 - 2.4
	0.7	54	2.8	2.8	2.7	2.6	2.5	2.4	2.0			
	1.0	69	3.4	3.3	3.2	3.2	3.1	3.0	2.6			
	1.5	91	4.0	4.0	3.9	3.9	3.8	3.7	3.4			
D-SU2-W D-SU2-W-CO	0.5	48	5.1	4.7	4.2	3.5	3.2	2.7	1.1	30 - 40	15 - 30	1.9 - 2.6
	0.7	59	5.7	5.3	4.8	4.2	3.9	3.6	2.6			
	1.0	76	6.3	5.9	5.5	5.0	4.9	4.7	3.8			
	1.5	101	7.1	7.0	6.8	6.3	6.1	6.0	5.4			
D-SU4-W D-SU4-W-CO	0.5	57	27	24	21	12.1	9.7	7.7	2.7	30 - 40	20 - 45	2.0 - 2.9
	0.7	70	28	26	22	14.3	12.0	10.3	5.6			
	1.0	88	31	28	25	17.1	14.6	12.9	8.6			
	1.5	118	34	32	28	21	17.7	15.4	11.2			
D-SU5-W D-SU5-W-CO	0.5	87	-	-	-	23	16.5	11.4	3.5	30 - 40	25 - 55	2.2 - 3.3
	0.7	108	-	-	-	26	21	16.2	7.7			
	1.0	134	-	-	55	34	27	21	12.8			
	1.5	175	-	67	61	43	34	29	18.9			

*At the stated pressure in bar.

"CO" set-ups are used for nozzles with clean-out needles.





**PERFORMANCE DATA:
PRESSURE SPRAY SET-UPS | INTERNAL MIX | ROUND SPRAY**

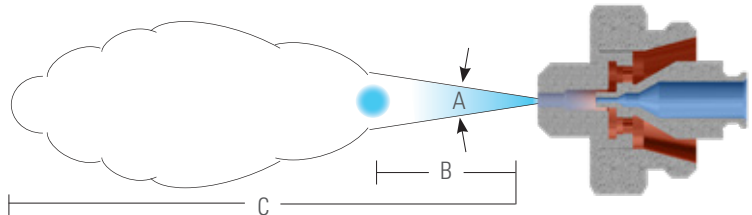
For a round spray pattern, angle “A” is maintained throughout distance “B”. Beyond “B”, the spray becomes turbulent and projects out to distance “C”.

Liquid is supplied to this spray set-up under pressure.

Liquid and compressed air or gas are mixed internally to produce a completely atomized spray.

When ordering only a spray set-up, 12582 retainer ring and 7717-2/007 O-ring must be ordered separately. These components are included in a complete air atomizing nozzle assembly.

Please contact your sales engineer for more information.



Spray Set-up No.	Spray Set-up Consists of Fluid and Air Cap Combination	Liquid Capacity (liters per hour)* and Air Capacity (liters per minute)*															Spray Dimensions		
		Liquid Pressure															Spray Angle A (°)	B (cm)	C (m)
		0.7 bar			1.5 bar			2 bar			3 bar			4 bar					
		Air Press.	l/h	Air l/min	Air Press.	l/h	Air l/min	Air Press.	l/h	Air l/min	Air Press.	l/h	Air l/min	Air Press.	l/h	Air l/min			
SUJ11	Fluid Cap J2050 + Air Cap J67147	.70	2.5	15.6	1.1	6.4	11.9	1.4	6.4	13.9	2.7	6.2	23	3.5	7.8	28	13 - 15	30 - 44	27 - 44
		.85	1.8	19.0	1.4	5.0	15.0	1.7	5.5	16.7	2.8	5.7	25	3.7	7.3	29			
		1.0	1.4	22	1.7	4.1	18.7	2.0	4.5	19.8	3.0	5.2	27	3.9	6.4	33			
		–	–	–	2.0	3.0	23	2.4	3.0	26	3.2	4.3	31	4.5	4.5	43			
		–	–	–	2.2	2.0	27	2.7	2.3	31	3.7	3.0	38	4.8	3.7	47			
SUJ12A	Fluid Cap J2050 + Air Cap J73160	.70	2.5	18.7	1.4	5.7	27	1.7	6.7	29	2.2	9.2	34	2.8	11.9	39	12 - 15	43 - 56	3.7 - 5.2
		.85	2.0	22	1.5	5.2	29	1.8	6.4	31	2.5	8.2	39	3.1	11.0	43			
		1.0	1.6	26	1.7	4.8	32	2.0	5.9	34	2.8	7.2	44	3.4	10.1	47			
		–	–	–	2.0	3.9	37	2.2	4.8	40	3.1	6.3	49	3.9	8.4	58			
		–	–	–	2.1	3.4	40	2.7	3.6	48	3.4	5.5	55	4.5	6.8	68			
SUJ12	Fluid Cap J2850 + Air Cap J73160	.85	4.8	21	1.7	8.4	31	2.0	10.7	33	2.7	16.5	37	3.4	20	43	12 - 15	48 - 60	4.0 - 5.3
		1.1	4.1	27	1.8	7.5	35	2.1	9.8	37	2.8	15.4	38	3.7	18.4	47			
		1.4	3.4	33	2.0	7.0	37	2.4	8.2	42	3.1	13.6	43	3.9	16.8	50			
		1.7	3.0	39	2.5	4.8	49	3.0	5.9	55	3.7	10.4	55	4.5	13.8	60			
		2.0	2.8	44	3.1	3.6	59	3.5	4.1	65	4.2	7.9	65	4.9	11.8	68			
SUJ22B	Fluid Cap J40100 + Air Cap J1401110	1.1	13.0	76	2.2	17.8	116	2.8	20	136	3.4	32	149	4.6	37	190	18 - 21	66 - 97	4.9 - 9.1
		1.4	8.9	91	2.5	13.1	130	3.1	16.3	149	3.9	25	170	5.3	29	220			
		1.5	7.2	98	2.8	9.5	143	3.4	11.9	163	4.6	15.9	205	5.6	25	235			
		1.8	4.7	112	3.4	4.9	171	4.2	4.7	205	5.6	6.8	255	6.3	17.4	270			
		2.1	2.7	127	3.5	4.2	178	4.6	3.0	220	6.3	3.6	290	7.0	11.0	305			

*At the stated pressure in bar.

Drip Free™ spray set-ups ensure positive shut-off and are provided for air atomizing assemblies containing a shut-off needle. For more information, call 1.630.665.5000.



**PERFORMANCE DATA:
PRESSURE SPRAY SET-UPS | INTERNAL MIX | ROUND SPRAY**

Spray Set-up No.	Spray Set-up Consists of Fluid and Air Cap Combination	Liquid Capacity (liters per hour)* and Air Capacity (liters per minute)*															Spray Dimensions		
		Liquid Pressure																	
		0.7 bar			1.5 bar			2 bar			3 bar			4 bar			Spray Angle A (°)	B (cm)	C (m)
		Air Press.	l/h	Air l/min	Air Press.	l/h	Air l/min	Air Press.	l/h	Air l/min	Air Press.	l/h	Air l/min	Air Press.	l/h	Air l/min			
SUJ22	Fluid Cap J60100 + Air Cap J1401110	.85	31	57	1.4	61	69	2.1	53	96	2.7	80	103	3.8	88	135	17 - 21	61 - 91	4.9 - 8.5
		1.0	25	66	1.5	54	76	2.4	41	112	3.0	69	117	4.2	73	156			
		1.1	18.5	75	1.7	48	85	2.7	31	127	3.2	59	130	4.6	61	176			
		1.3	12.9	85	2.0	35	102	2.8	26	136	3.7	44	154	5.3	39	215			
		–	–	–	2.2	25	119	3.0	22	144	3.9	35	170	6.0	23	260			

*At the stated pressure in bar.



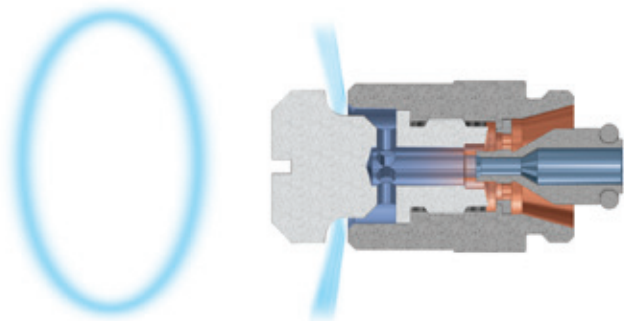
**PERFORMANCE DATA:
PRESSURE SPRAY SET-UPS | INTERNAL MIX | 360° CIRCULAR SPRAY**

Liquid is supplied to this spray set-up under pressure.

Liquid and compressed air or gas are mixed internally to produce a completely atomized spray.

When ordering only a spray set-up, 7717-2/007 O-ring must be ordered separately. This component is included in a complete air atomizing nozzle assembly.

Please contact your sales engineer for more information.



360° circular spray pattern

Spray Set-up No.	Spray Set-up Consists of Fluid and Air Cap Combination	Liquid Capacity (liters per hour)* and Air Capacity (liters per minute)*														
		Liquid Pressure														
		0.7 bar			1.5 bar			2 bar			3 bar			4 bar		
		Air Press.	l/h	Air l/min	Air Press.	l/h	Air l/min	Air Press.	l/h	Air l/min	Air Press.	l/h	Air l/min	Air Press.	l/h	Air l/min
SUJ340C	Fluid Cap J60100 + Air Cap J150-6-62-160HC	1.4	15.1	69	2.8	19.5	142	3.5	21	185	4.2	48	210	6.0	45	340
		1.5	10.6	77	3.0	16.1	153	3.7	17.6	196	4.6	37	240	6.3	37	375
		1.7	7.6	84	3.1	13.2	165	3.8	14.8	210	4.9	28	275	6.7	30	405
		1.8	5.7	93	3.2	10.6	177	3.9	12.5	220	5.6	15.5	340	7.0	24	440
		2.0	4.2	103	3.4	8.3	188	4.2	8.1	245	6.3	7.8	425	–	–	–

Drip Free™ spray set-ups ensure positive shut-off and are provided for air atomizing assemblies containing a shut-off needle. For more information, call 1.630.665.5000.





**PERFORMANCE DATA:
PRESSURE SPRAY SET-UPS | INTERNAL MIX | WIDE ANGLE ROUND SPRAY**

For a wide angle round spray, dimensions “A” and “B” are the pattern widths at distances from the nozzle.

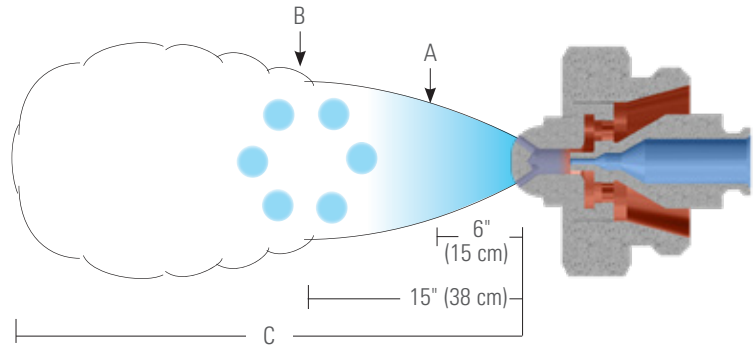
The total distance of spray projection from the nozzle to the maximum dispersal point is represented by “C”.

Liquid is supplied to this spray set-up under pressure.

Liquid and compressed air or gas are mixed internally to produce a completely atomized spray.

When ordering only a spray set-up, 12582 retainer ring and 7717-2/007 O-ring must be ordered separately. These components are included in a complete air atomizing nozzle assembly.

Please contact your sales engineer for more information.



Spray Set-up No.	Spray Set-up Consists of Fluid and Air Cap Combination	Liquid Capacity (liters per hour)* and Air Capacity (liters per minute)*														Spray Dimensions			
		Liquid Pressure														A (cm)	B (cm)	C (m)	
		0.7 bar		1.5 bar		2 bar		3 bar		4 bar									
		Air Press.	l/h	Air l/min	Air Press.	l/h	Air l/min	Air Press.	l/h	Air l/min	Air Press.	l/h	Air l/min	Air Press.	l/h				Air l/min
SUJ16	Fluid Cap J2050 + Air Cap J67-6-20-70°	.60	5.3	10.2	1.1	8.1	13.3	1.5	8.1	16.4	2.4	8.9	22	3.1	10.5	24	14 - 19	23 - 30	1.5 - 4.0
		.70	4.3	12.2	1.3	7.0	15.0	1.8	6.6	21	2.7	8.1	26	3.4	9.7	28			
		1.0	1.7	17.0	1.7	4.5	22	2.4	3.2	29	3.4	4.2	37	4.6	4.4	47			
		–	–	–	1.8	3.5	24	–	–	–	3.5	3.4	40	4.9	2.8	54			
SUJ26B	Fluid Cap J40100 + Air Cap J140-6-37-70°	.85	7.0	50	1.7	13.2	68	2.0	18.5	68	2.8	25	84	3.7	31	96	19 - 21	31 - 37	1.8 - 5.9
		1.0	2.1	62	1.8	9.8	79	2.1	15.1	76	3.0	22	92	3.8	28	105			
		–	–	–	–	–	–	2.2	11.7	85	3.1	18.5	101	3.9	26	113			
		–	–	–	–	–	–	–	–	–	3.4	12.1	119	4.2	20	130			
SUJ26	Fluid Cap J60100 + Air Cap J140-6-37-70°	.70	24	32	1.4	43	37	2.1	33	66	2.8	52	65	3.7	63	68	19 - 20	.6 - 39	2.1 - 6.8
		.85	13.6	44	1.5	35	49	2.2	26	78	3.0	46	76	3.8	58	79			
		1.0	7.6	57	1.7	28	61	2.4	18.9	89	3.1	39	87	3.9	52	101			
		–	–	–	1.8	21	71	2.5	11.7	100	3.4	26	110	4.6	27	138			
SUJ29	Fluid Cap J60100 + Air Cap J140-6-52-70°	1.3	36	85	2.1	57	116	3.1	53	156	4.2	64	197	5.6	74	245	20 - 24	33 - 41	5.5 - 10.4
		1.8	23	117	2.7	45	143	3.4	47	170	5.6	40	265	6.3	62	280			
		2.4	11.4	149	4.2	13.6	220	4.9	18.5	245	7.0	17.8	335	7.0	51	315			
SUJ30	Fluid Cap J40100 + Air Cap J120-6-35-60°	1.1	12.3	40	2.2	16.3	62	2.7	21	69	4.2	19.3	100	5.6	22	130	15 - 19	23 - 30	2.7 - 9.4
		1.4	7.9	50	2.8	8.9	79	3.2	12.3	86	4.9	10.8	124	6.3	14.0	152			
		2.0	3.1	67	3.4	4.7	95	4.2	4.7	115	6.3	4.0	167	7.0	9.1	174			

*At the stated pressure in bar.

Drip Free™ spray set-ups ensure positive shut-off and are provided for air atomizing assemblies containing a shut-off needle. For more information, call 1.630.665.5000.





**PERFORMANCE DATA:
PRESSURE SPRAY SET-UPS | INTERNAL MIX | FLAT SPRAY**

For a flat spray pattern, "A" and "B" are the pattern widths at distances from the nozzle.

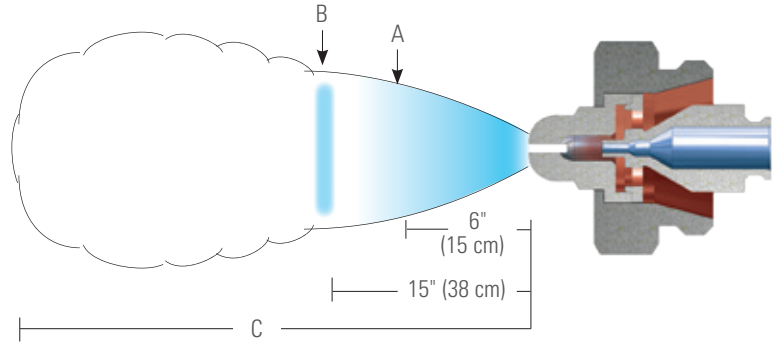
The total distance of spray projection from the nozzle to the maximum dispersal point is represented by "C".

Liquid is supplied to this spray set-up under pressure.

Liquid and compressed air or gas are mixed internally to produce a completely atomized spray.

When ordering only a spray set-up, 12582 retainer ring and 7717-2/007 O-ring must be ordered separately. These components are included in a complete air atomizing nozzle assembly.

Please contact your sales engineer for more information.



Spray Set-up No.	Spray Set-up Consists of Fluid and Air Cap Combination	Liquid Capacity (liters per hour)* and Air Capacity (liters per minute)*														Spray Dimensions			
		Liquid Pressure																	
		0.7 bar		1.5 bar			2 bar			3 bar		4 bar				A (cm)	B (cm)	C (m)	
		Air Press.	l/h	Air l/min	Air Press.	l/h	Air l/min	Air Press.	l/h	Air l/min	Air Press.	l/h	Air l/min	Air Press.	l/h				Air l/min
SUJ13A	Fluid Cap J2050 + Air Cap J73328	.70	5.5	24	1.3	9.1	31	2.0	8.6	42	2.7	11.2	52	3.9	12.0	69	25 - 56	46 - 94	2.6 - 4.0
		1.0	4.1	31	1.8	6.5	42	2.5	6.2	52	3.2	9.1	62	5.3	7.5	93			
		1.5	2.0	44	2.8	2.8	60	3.4	3.2	68	4.9	3.1	91	7.0	2.4	122			
SUJ13	Fluid Cap J2850 + Air Cap J73328	.85	8.2	19.8	1.4	14.4	27	2.1	13.5	36	2.7	19.1	42	4.6	16.1	69	36 - 58	71 - 97	2.1 - 3.2
		1.1	5.5	27	2.0	9.5	37	2.7	9.2	47	3.2	15.1	52	5.3	11.5	83			
		1.4	2.9	34	2.5	5.1	49	3.5	3.3	66	4.9	4.0	86	6.7	4.3	112			
SUJ14	Fluid Cap J2850 + Air Cap J73320	1.3	3.9	30	2.1	7.4	40	3.0	6.1	52	3.9	9.4	60	5.3	10.2	78	25 - 64	46 - 97	1.8 - 2.3
		1.5	2.3	35	2.5	4.4	47	3.2	4.5	57	4.6	5.3	73	6.0	6.6	89			
		1.8	1.3	41	2.8	3.1	52	3.5	3.2	62	4.9	3.8	80	6.3	5.1	98			
		2.0	.95	44	3.1	2.1	57	3.9	1.8	68	-	-	-	-	-	-			
SUJ23B	Fluid Cap J40100 + Air Cap J125328	1.1	11.2	54	2.1	18.0	79	2.7	19.6	93	3.5	27	112	4.6	33	137	15 - 33	20 - 48	3.0 - 4.0
		1.3	8.5	60	2.2	15.8	84	2.8	17.3	98	3.7	25	116	4.9	28	149			
		1.4	6.5	65	2.4	13.6	89	3.0	15.2	103	3.8	23	121	5.3	27	161			
		1.5	5.0	71	2.5	11.6	95	3.1	13.2	109	3.9	21	126	5.6	19.7	174			
		1.7	3.8	77	-	-	-	3.2	11.4	114	4.2	17.0	137	6.3	12.4	200			
SUJ23	Fluid Cap J60100 + Air Cap J125328	.85	27	33	1.8	38	55	2.4	39	67	3.2	58	76	4.6	59	106	18 - 33	23 - 41	3.4 - 4.4
		1.0	20	38	2.1	28	66	2.7	30	77	3.5	47	87	5.3	40	132			
		1.1	15.9	45	2.2	24	71	3.0	24	87	3.8	38	97	5.6	32	145			
		1.4	10.2	56	2.5	17.8	82	3.4	15.1	103	4.2	27	113	6.3	20	172			
		1.5	7.6	62	2.7	15.1	87	3.7	10.6	114	4.9	14.8	140	7.0	12.7	198			

*At the stated pressure in bar.

Drip Free™ spray set-ups ensure positive shut-off and are provided for air atomizing assemblies containing a shut-off needle. For more information, call 1.630.665.5000.





**PERFORMANCE DATA:
PRESSURE SPRAY SET-UPS | EXTERNAL MIX | FLAT SPRAY**

SUJE external mix spray set-ups offer increased ability to atomize viscous fluids and allow for greater flow capacity of finely atomized sprays.

Atomization can be controlled by varying the air pressure without changing liquid flow rate.

Liquid is supplied to this spray set-up under pressure.

Liquid and compressed air or gas are mixed externally to produce a completely atomized spray.

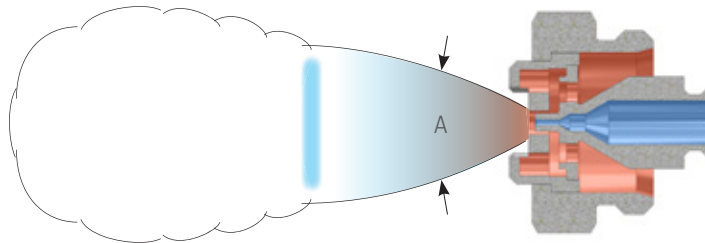
SUJE Series set-ups produce lower spray velocity for improved transfer and reduced misting.

Low profile design is ideal for applications where space is limited.

Very efficient use of air results in reduced air consumption costs and noise levels.

When ordering only a spray set-up, retainer ring and O-ring must be ordered separately. These components are included in a complete air atomizing nozzle assembly. The 46599 adapter is used with all 1/8JJ nozzle bodies and 1/8JJAU nozzle bodies with extensions only.

Please contact your sales engineer for more information.



Spray Set-up No.	Spray Set-up Consists of Fluid and Air Cap Combination	Liquid Capacity (liters per hour)* and Air Capacity (liters per minute)*												Spray Angle A (°)
		Liquid Pressure												
		0.7 bar			1.5 bar			2 bar			2.5 bar			
		Air Press.	l/h	Air l/min	Air Press.	l/h	Air l/min	Air Press.	l/h	Air l/min	Air Press.	l/h	Air l/min	
SUJE416-50	Fluid Cap PFJ1650 + Air Cap PAJ105-50	0.7	4.9	65.1	0.7	7.4	65.1	0.7	8.4	65.1	0.7	9.2	65.1	50
		2.1	4.9	141.6	2.1	7.4	141.6	2.1	8.4	141.6	2.1	9.2	141.6	
		2.8	4.9	175.6	2.8	7.4	175.6	2.8	8.4	175.6	2.8	9.2	175.6	
		3.4	4.9	209.5	3.4	7.4	209.5	3.4	8.4	209.5	3.4	9.2	209.5	
SUJE417-50	Fluid Cap PFJ2050 + Air Cap PAJ105-50	0.7	7.2	65.1	0.7	10.8	65.1	0.7	12.3	65.1	0.7	13.5	65.1	
		2.1	7.2	141.6	2.1	10.8	141.6	2.1	12.3	141.6	2.1	13.5	141.6	
		3.4	7.2	209.5	3.4	10.8	209.5	3.4	12.3	209.5	3.4	13.5	209.5	
SUJE418-50	Fluid Cap PFJ2850 + Air Cap PAJ105-50	0.7	11.0	65.1	0.7	23.4	65.1	0.7	27.8	65.1	0.7	31.1	65.1	
		2.1	11.0	141.6	2.1	23.4	141.6	2.1	27.8	141.6	2.1	31.1	141.6	
		3.4	11.0	209.5	3.4	23.4	209.5	3.4	27.8	209.5	3.4	31.1	209.5	
SUJE420-50	Fluid Cap PFJ40100 + Air Cap PAJ135-50	0.7	44.3	65.1	0.7	47.7	65.1	0.7	54.4	65.1	0.7	61.5	65.1	
		2.1	44.3	141.6	2.1	47.7	141.6	2.1	54.4	141.6	2.1	61.5	141.6	
		3.4	44.3	206.7	3.4	47.7	206.7	3.4	54.4	206.7	3.4	61.5	206.7	

*At the stated pressure in bar.

Drip Free™ spray set-ups ensure positive shut-off and are provided for air atomizing assemblies containing a shut-off needle. For more information, call 1.630.665.5000.



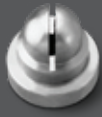
**PERFORMANCE DATA:
PRESSURE SPRAY SET-UPS | EXTERNAL MIX | FLAT SPRAY**

Spray Set-up No.	Spray Set-up Consists of Fluid and Air Cap Combination	Liquid Capacity (liters per hour)* and Air Capacity (liters per minute)*												Spray Angle A (°)
		Liquid Pressure												
		0.7 bar			1.5 bar			2 bar			2.5 bar			
		Air Press.	l/h	Air l/min	Air Press.	l/h	Air l/min	Air Press.	l/h	Air l/min	Air Press.	l/h	Air l/min	
SUJE416-65	Fluid Cap PFJ1650 + Air Cap PAJ080-65	0.7	4.9	53.8	0.7	7.4	53.8	0.7	8.4	53.8	0.7	9.2	53.8	65
		2.1	4.9	113.3	2.1	7.4	113.3	2.1	8.4	113.3	2.1	9.2	113.3	
		3.4	4.9	167.1	3.4	7.4	167.1	3.4	8.4	167.1	3.4	9.2	167.1	
SUJE417-65	Fluid Cap PFJ2050 + Air Cap PAJ080-65	0.7	7.2	53.8	0.7	10.8	53.8	0.7	12.3	53.8	0.7	13.5	53.8	
		2.1	7.2	113.3	2.1	10.8	113.3	2.1	12.3	113.3	2.1	13.5	113.3	
		3.4	7.2	167.1	3.4	10.8	167.1	3.4	12.3	167.1	3.4	13.5	167.1	
SUJE418-65	Fluid Cap PFJ2850 + Air Cap PAJ080-65	0.7	11.0	53.8	0.7	23.3	53.8	0.7	27.7	53.8	0.7	31.2	53.8	
		2.1	11.0	113.3	2.1	23.3	113.3	2.1	27.7	113.3	2.1	31.2	113.3	
		3.4	11.0	167.1	3.4	23.3	167.1	3.4	27.7	167.1	3.4	31.2	167.1	
SUJE420-65	Fluid Cap PFJ40100 + Air Cap PAJ125-65	0.7	30.3	59.5	0.7	47.7	59.5	0.7	54.4	59.5	0.7	59.7	59.5	
		2.1	30.3	124.6	2.1	47.7	124.6	2.1	54.4	124.6	2.1	59.7	124.6	
		3.4	30.3	184.1	3.4	47.7	184.1	3.4	54.4	184.1	3.4	59.7	184.1	
SUJE421-65	Fluid Cap PFJ60100 + Air Cap PAJ125-65	2.1	60.6	124.6	2.1	–	–	2.1	–	–	2.1	–	–	
		2.8	60.6	152.9	2.8	94.9	152.9	2.8	–	–	2.8	–	–	
		3.4	60.6	184.1	3.4	94.9	184.1	3.4	108.2	184.1	3.4	–	–	
SUJE416-90	Fluid Cap PFJ1650 + Air Cap PAJ075-90	0.7	4.9	53.8	0.7	7.4	53.8	0.7	8.4	53.8	0.7	9.2	53.8	90
		2.1	4.9	113.3	2.1	7.4	113.3	2.1	8.4	113.3	2.1	9.2	113.3	
		3.4	4.9	167.1	3.4	7.4	167.1	3.4	8.4	167.1	3.4	9.2	167.1	
SUJE417-90	Fluid Cap PFJ2050 + Air Cap PAJ075-90	0.7	7.2	53.8	0.7	10.8	53.8	0.7	12.3	53.8	0.7	13.5	53.8	
		2.1	7.2	113.3	2.1	10.8	113.3	2.1	12.3	113.3	2.1	13.5	113.3	
		3.4	7.2	167.1	3.4	10.8	167.1	3.4	12.3	167.1	3.4	13.5	167.1	
SUJE418-90	Fluid Cap PFJ2850 + Air Cap PAJ075-90	0.7	11.0	53.8	0.7	24.3	53.8	0.7	27.9	53.8	0.7	30.8	53.8	
		2.1	11.0	113.3	2.1	24.3	113.3	2.1	27.9	113.3	2.1	30.8	113.3	
		3.4	11.0	167.1	3.4	24.3	167.1	3.4	27.9	167.1	3.4	30.8	167.1	
SUJE420-90	Fluid Cap PFJ40100 + Air Cap PAJ115-90	1.4	30.3	82.1	1.4	–	–	1.4	–	–	1.4	–	–	
		2.1	30.3	110.4	2.1	44.3	110.4	2.1	–	–	2.1	–	–	
		2.8	30.3	135.9	2.8	44.3	135.9	2.8	54.4	135.9	2.8	–	–	
		3.4	30.3	161.4	3.4	44.3	161.4	3.4	54.4	161.4	3.4	63.2	161.4	
SUJE421-90	Fluid Cap PFJ60100 + Air Cap PAJ115-90	2.1	60.6	110.4	2.1	–	–	2.1	–	–	2.1	–	–	
		2.8	60.6	135.9	2.8	94.9	135.9	2.8	–	–	2.8	–	–	
		3.4	60.6	161.4	3.4	94.9	161.4	3.4	108.2	161.4	3.4	–	–	
		4.1	–	–	4.1	–	–	4.1	–	–	4.1	118.6	186.9	
		4.8	–	–	4.8	–	–	4.8	–	–	4.8	118.6	212.4	

*At the stated pressure in bar.

Drip Free™ spray set-ups ensure positive shut-off and are provided for air atomizing assemblies containing a shut-off needle. For more information, call 1.630.665.5000.





PERFORMANCE DATA:
SIPHON/GRAVITY SPRAY SET-UPS | INTERNAL MIX | FLAT SPRAY

For a flat spray pattern, "A" and "B" are the pattern widths at distances from the nozzle.

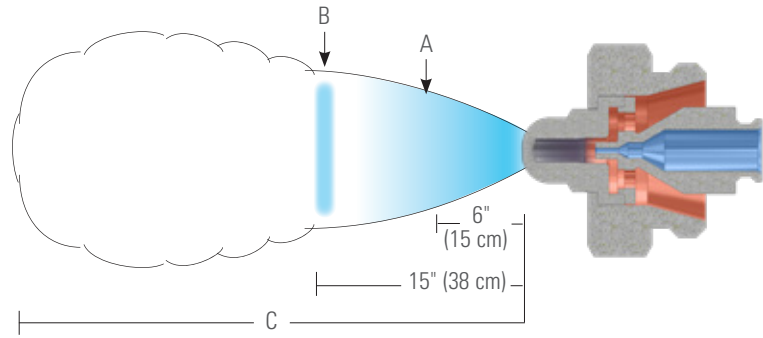
The total distance of spray projection from the nozzle to the maximum dispersal point is represented by "C".

Liquid is supplied to this spray set-up by either a liquid siphon or a gravity-feed.

Liquid is drawn through the feed line into the air flow where it is atomized.

When ordering only a spray set-up, 12582 retainer ring and 7717-2/007 O-ring must be ordered separately. These components are included in a complete air atomizing nozzle assembly.

Please contact your sales engineer for more information.



Spray Set-up No.	Spray Set-up Consists of Fluid and Air Cap Combination	Atomizing Air		Liquid Capacity (liters per hour)*								Spray Dimensions at 20 cm Siphon Height		
		Air Press.	Air Capacity l/min	Gravity Head (cm)			Siphon Height (cm)					A (cm)	B (cm)	C (m)
				45	30	15	10	20	30	60	90			
SUJF1	Fluid Cap J2850 + Air Cap J73420	.70	28	1.3	1.2	1.1	1.0	.95	.83	.64	.49	20 - 23	38	1.8 - 2.1
		1.5	43	1.2	1.1	1.0	.90	.86	.78	.66	.54			
		2.0	50	.82	.76	.68	.57	.50	-	-	-			
SUJF2C	Fluid Cap J35100 + Air Cap J120432	1.5	56	3.7	3.5	3.3	2.9	2.8	2.5	2.3	2.1	23 - 28	38 - 48	2.7 - 3.0
		2.0	65	3.4	3.3	3.1	2.8	2.7	2.6	2.4	2.2			
		3.0	87	2.8	2.7	2.5	2.4	2.2	2.1	1.9	1.7			
		4.0	110	1.9	1.8	1.6	1.5	1.3	1.2	-	-			
SUJF3B	Fluid Cap J40100 + Air Cap J122435	1.5	68	5.1	4.8	4.5	3.8	3.7	3.5	3.0	2.4	19 - 22	27 - 30	3.0 - 3.4
		2.0	78	4.9	4.7	4.4	3.6	3.4	3.2	2.9	2.3			
		3.0	103	3.4	3.2	3.0	2.2	2.0	1.7	-	-			
		3.5	117	2.2	2.0	1.7	-	-	-	-	-			
SUJF4B	Fluid Cap J40100 + Air Cap J122440	1.5	63	7.6	7.2	6.6	5.7	5.4	5.1	4.6	3.7	17 - 20	27 - 33	3.4
		2.0	73	7.6	7.3	6.8	5.9	5.7	5.5	5.0	4.2			
		3.0	96	6.4	6.1	5.7	5.0	4.5	4.1	3.3	-			
		3.5	110	4.2	3.7	3.2	2.6	-	-	-	-			

*At the stated pressure in bar.

Drip Free™ spray set-ups ensure positive shut-off and are provided for air atomizing assemblies containing a shut-off needle. For more information, call 1.630.665.5000.





**PERFORMANCE DATA:
SIPHON/GRAVITY SPRAY SET-UPS | EXTERNAL MIX | ROUND SPRAY**

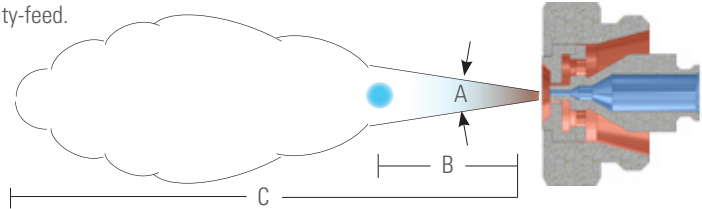
For a round spray pattern, angle “A” is maintained throughout distance “B”. Beyond “B”, the spray becomes turbulent and projects out to distance “C”.

Liquid is supplied to this spray set-up by either a liquid siphon or a gravity-feed.

Liquid is drawn through the feed line into the air flow where it is atomized.

When ordering only a spray set-up, 12582 retainer ring and 7717-2/007 O-ring must be ordered separately. These components are included in a complete air atomizing nozzle assembly.

Please contact your sales engineer for more information.



Spray Set-up No.	Spray Set-up Consists of Fluid and Air Cap Combination	Atomizing Air		Liquid Capacity (liters per hour)*								Spray Dimensions at 20 cm Siphon Height		
		Air Press.	Air Capacity l/min	Gravity Head (cm)			Siphon Height (cm)					Spray Angle A (°)	B (mm)	C (m)
				45	30	15	10	20	30	60	90			
SUJ1A	Fluid Cap J1650 + Air Cap J64	.70	11.3	1.5	1.3	1.1	.87	.68	.53	–	–	18	28 - 36	1.8 - 2.6
		1.5	17.0	1.8	1.7	1.5	1.3	1.2	1.1	.62	–			
		3.0	28	2.1	1.9	1.7	1.5	1.4	1.3	1.1	.76			
		4.0	36	2.2	2.0	1.8	1.6	1.5	1.4	1.2	.87			
SUJ1	Fluid Cap J2050 + Air Cap J64	.70	13.3	2.4	2.1	1.7	1.5	1.2	.79	–	–	18 - 19	30 - 43	2.1 - 3.0
		1.5	20	2.8	2.6	2.4	2.1	1.9	1.6	.91	–			
		3.0	32	3.4	3.1	2.9	2.8	2.6	2.4	1.7	1.1			
		4.0	41	3.7	3.4	3.3	3.1	2.9	2.7	2.1	1.5			
SUJ2A	Fluid Cap J2050 + Air Cap J70	.70	23	2.5	2.3	2.0	1.6	1.4	1.1	–	–	18 - 20	30 - 43	2.4 - 4.0
		1.5	36	2.9	2.8	2.5	2.2	2.0	1.7	.89	–			
		3.0	58	3.4	3.3	3.2	2.9	2.8	2.5	1.9	1.2			
		4.0	74	3.7	3.6	3.5	3.4	3.3	3.0	2.5	2.0			
SUJ2	Fluid Cap J2850 + Air Cap J70	.70	19.3	4.5	4.0	3.4	2.1	1.8	1.4	–	–	21 - 22	38 - 51	3.0 - 4.6
		1.5	31	5.3	4.9	4.4	3.5	2.9	2.7	1.8	–			
		3.0	50	5.7	5.4	5.0	4.2	3.9	3.4	2.4	1.2			
		4.0	65	6.0	5.6	5.0	4.4	4.0	3.5	2.8	1.9			
SUJ3	Fluid Cap J2850 + Air Cap J64-5	.70	11.6	–	–	–	2.2	1.9	1.1	–	–	18 - 19	30 - 43	2.4 - 4.0
		1.5	18.4	–	4.8	4.1	3.6	3.2	2.6	1.2	–			
		3.0	29	6.4	6.0	5.6	5.2	4.8	4.4	2.8	1.2			
		4.0	37	7.1	6.7	6.3	6.1	5.6	5.3	3.7	2.0			
SUJ4B	Fluid Cap J40100 + Air Cap J120	.70	37	–	–	–	5.3	3.7	2.2	–	–	17 - 19	46 - 58	3.0 - 4.6
		1.5	59	–	9.9	9.2	7.4	6.0	4.8	1.5	–			
		3.0	91	12.1	11.3	10.7	8.8	7.7	6.5	3.0	1.1			
		4.0	116	12.9	12.1	11.4	9.5	8.6	7.6	4.2	1.8			
SUJ4	Fluid Cap J60100 + Air Cap J120	1.5	57	22	19.9	16.3	12.3	10.5	8.3	2.8	–	17 - 19	46 - 58	3.7 - 5.5
		3.0	88	25	23	19.5	16.7	14.2	11.5	6.4	2.8			
		4.0	111	26	24	21	18.4	15.7	12.9	7.9	4.5			
		5.6	147	26	24	22	19.7	17.0	14.6	9.8	6.1			

*At the stated pressure in bar.

Drip Free™ spray set-ups ensure positive shut-off and are provided for air atomizing assemblies containing a shut-off needle. For more information, call 1.630.665.5000.





PERFORMANCE DATA:
PRESSURE SPRAY SET-UPS | INTERNAL MIX | FLAT SPRAY

For a flat spray pattern, "A" and "B" are the pattern widths at distances from the nozzle.

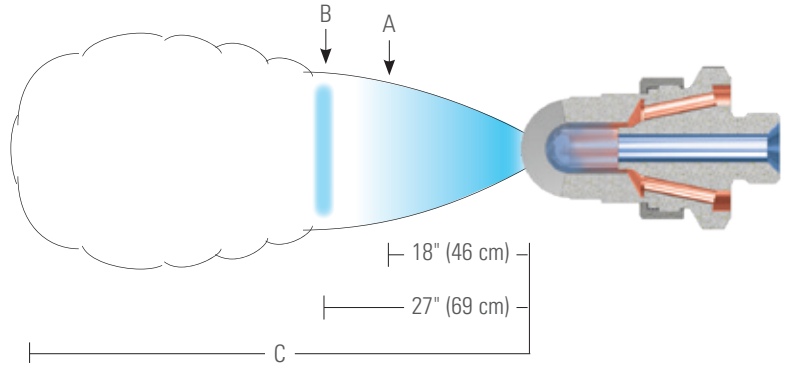
The total distance of spray projection from the nozzle to the maximum dispersal point is represented by "C".

Liquid is supplied to this spray set-up under pressure.

Liquid and compressed air or gas are mixed internally to produce a completely atomized spray.

When ordering only a spray set-up, 1705 retainer ring and 8491 gasket must be ordered separately. These components are included in a complete air atomizing nozzle assembly.

Please contact your sales engineer for more information.



Spray Set-up No.	Spray Set-up Consists of Fluid and Air Cap Combination	Liquid Capacity (liters per hour)* and Air Capacity (liters per minute)*															Spray Dimensions		
		Liquid Pressure															A (cm)	B (cm)	C (m)
		0.35 bar			1 bar			2 bar			3 bar			4 bar					
		Air Press.	l/h	Air l/min	Air Press.	l/h	Air l/min	Air Press.	l/h	Air l/min	Air Press.	l/h	Air l/min	Air Press.	l/h	Air l/min			
SU75	Fluid Cap 250375 + Air Cap 4533102	-	-	-	1.8	154	590	3.4	184	950	-	-	-	-	-	-	46 - 51	91 - 97	5.8 - 7.0
		-	-	-	2.0	119	640	3.5	157	1010	-	-	-	-	-	-			
		-	-	-	2.1	93	690	3.7	133	1060	-	-	-	-	-	-			
		-	-	-	-	-	-	3.8	112	1110	-	-	-	-	-	-			
SU85	Fluid Cap 251376 + Air Cap 4693102	.70	134	315	1.3	320	440	2.1	575	570	3.0	740	710	3.9	840	860	51 - 91	119 - 226	4.0 - 6.4
		.85	100	380	1.4	255	520	2.2	505	640	3.1	690	770	4.1	790	930			
		-	-	-	1.5	200	590	2.4	440	720	3.2	630	840	4.2	740	990			
		-	-	-	1.7	154	670	2.5	380	790	3.4	570	910	4.4	690	1070			
		-	-	-	-	-	-	2.7	330	860	3.5	520	980	4.5	650	1140			
		-	-	-	-	-	-	2.8	275	930	3.7	470	1050	4.6	600	1210			
		-	-	-	-	-	-	3.0	235	1010	3.8	420	1120	4.8	550	1280			
		-	-	-	-	-	-	3.1	195	1080	3.9	345	1190	4.9	510	1350			
		-	-	-	-	-	-	-	-	-	4.1	325	1260	5.1	465	1430			
		-	-	-	-	-	-	-	-	-	-	-	-	5.2	425	1490			
		-	-	-	-	-	-	-	-	-	-	-	-	5.3	390	1560			
		-	-	-	-	-	-	-	-	-	-	-	-	5.5	350	1640			

*At the stated pressure in bar.





**PERFORMANCE DATA:
PRESSURE SPRAY SET-UPS | INTERNAL MIX | WIDE ANGLE ROUND**

For a wide angle round spray, dimensions "A" and "B" are the pattern widths at distances from the nozzle.

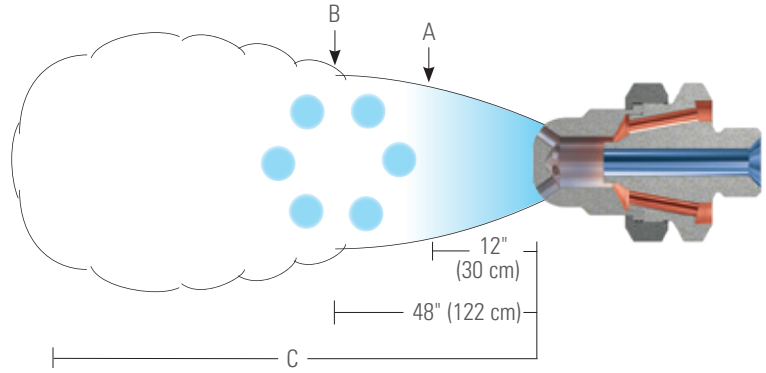
The total distance of spray projection from the nozzle to the maximum dispersal point is represented by "C".

Liquid is supplied to this spray set-up under pressure.

Liquid and compressed air or gas are mixed internally to produce a completely atomized spray.

When ordering only a spray set-up, 1705 retainer ring and 8491 gasket must be ordered separately. These components are included in a complete air atomizing nozzle assembly.

Please contact your sales engineer for more information.



Spray Set-up No.	Spray Set-up Consists of Fluid and Air Cap Combination	Liquid Capacity (liters per hour)* and Air Capacity (liters per minute)*														Spray Dimensions			
		Liquid Pressure														A (cm)	B (cm)	C (m)	
		0.35 bar		1 bar		2 bar		3 bar		4 bar									
		Air Press.	l/h	Air l/min	Air Press.	l/h	Air l/min	Air Press.	l/h	Air l/min	Air Press.	l/h	Air l/min	Air Press.	l/h				Air l/min
SU77	Fluid Cap 250375 + Air Cap 422-6-73-70°	-	-	-	-	-	2.1	213	176	3.1	316	214	4.2	238	351	36	69	6.7 - 8.5	
		-	-	-	-	-	2.3	127	249	3.2	195	292	4.3	154	439				
		-	-	-	-	-	-	-	-	3.4	107	371	4.5	100	521				
SU78	Fluid Cap 250375 + Air Cap 422-6-94-70°	.60	102	184	1.1	215	153	2.5	185	355	3.7	192	560	5.0	230	830	33 - 36	65 - 69	6.1 - 8.2
		.70	57	230	1.3	124	230	2.7	146	410	3.9	150	620	5.3	158	940			
		.85	32	280	1.4	84	280	2.8	112	465	4.0	119	680	5.6	108	1080			
		-	-	-	-	-	-	3.0	86	520	4.2	86	770	-	-	-			
		-	-	-	-	-	-	3.1	65	580	4.6	51	910	-	-	-			
SU79	Fluid Cap 250375 + Air Cap 469-6-125-70°	.70	129	325	1.7	182	540	3.1	265	810	4.3	350	1000	-	-	-	33 - 36	66 - 69	7.0 - 8.5
		.85	82	380	1.8	143	590	3.2	245	860	4.6	260	1080	-	-	-			
		1.0	45	415	-	-	-	3.4	173	910	5.0	186	1200	-	-	-			
		-	-	-	-	-	-	3.5	136	950	-	-	-	-	-	-			
		-	-	-	-	-	-	3.6	120	980	-	-	-	-	-	-			
SU89	Fluid Cap 251376 + Air Cap 469-6-130-70°	.70	134	315	1.3	320	440	2.1	575	570	3.0	740	710	3.9	840	860	28 - 33	74 - 91	3.4 - 7.8
		.85	100	380	1.4	255	520	2.2	505	640	3.1	690	770	4.1	790	930			
		-	-	-	1.5	200	590	2.4	440	720	3.2	630	840	4.2	740	990			
		-	-	-	1.7	154	670	2.5	380	790	3.4	570	910	4.4	690	1070			
		-	-	-	-	-	-	2.7	330	860	3.5	520	980	4.5	650	1140			
		-	-	-	-	-	-	2.8	275	930	3.7	470	1050	4.6	600	1210			
		-	-	-	-	-	-	3.0	235	1010	3.8	420	1120	4.8	550	1280			
		-	-	-	-	-	-	3.1	195	1080	3.9	345	1190	4.9	510	1350			
		-	-	-	-	-	-	-	-	-	4.1	325	1260	5.1	465	1430			
		-	-	-	-	-	-	-	-	-	-	-	-	5.2	425	1490			
		-	-	-	-	-	-	-	-	-	-	-	-	5.3	390	1560			
		-	-	-	-	-	-	-	-	-	-	-	-	5.5	350	1640			

*At the stated pressure in bar.



PERFORMANCE DATA:
PRESSURE SPRAY SET-UPS | INTERNAL MIX | ROUND SPRAY

For a round spray, dimensions "A" and "B" are the pattern widths at distances from the nozzle.

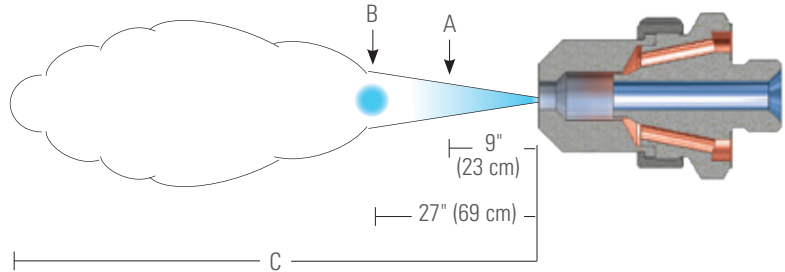
The total distance of spray projection from the nozzle to the maximum dispersal point is represented by "C".

Liquid is supplied to this spray set-up under pressure.

Liquid and compressed air or gas are mixed internally to produce a completely atomized spray.

When ordering only a spray set-up, 1705 retainer ring and 8491 gasket must be ordered separately. These components are included in a complete air atomizing nozzle assembly.

Please contact your sales engineer for more information.



Spray Set-up No.	Spray Set-up Consists of Fluid and Air Cap Combination	Liquid Capacity (liters per hour)* and Air Capacity (liters per minute)*														Spray Dimensions			
		Liquid Pressure														A (cm)	B (cm)	C (m)	
		0.35 bar		1 bar		2 bar		3 bar		4 bar									
		Air Press.	l/h	Air l/min	Air Press.	l/h	Air l/min	Air Press.	l/h	Air l/min	Air Press.	l/h	Air l/min						
SU72	Fluid Cap 250375 + Air Cap 4221250	1.3	34	350	1.7	146	365	3.0	230	510	-	-	-	-	-	-	9	25	6.7 - 8.2
		1.4	25	390	1.8	121	395	3.1	200	550	-	-	-	-	-	-			
		1.5	20	415	2.0	102	430	3.2	176	590	-	-	-	-	-	-			
		1.7	15.5	445	2.1	86	460	3.4	154	620	-	-	-	-	-	-			
		-	-	-	2.3	72	490	3.5	135	660	-	-	-	-	-	-			
		-	-	-	2.4	60	520	3.6	118	700	-	-	-	-	-	-			
SU82	Fluid Cap 251376 + Air Cap 4691312	.70	134	315	1.3	320	440	2.1	575	570	3.0	740	710	3.9	840	860	10 - 15	23 - 25	6.4 - 14.3
		.85	100	380	1.4	255	520	2.2	505	640	3.1	690	770	4.1	790	930			
		-	-	-	1.5	200	590	2.4	440	720	3.2	630	840	4.2	740	990			
		-	-	-	1.7	154	670	2.5	380	790	3.4	570	910	4.4	690	1070			
		-	-	-	-	-	-	2.7	330	860	3.5	520	980	4.5	650	1140			
		-	-	-	-	-	-	2.8	275	930	3.7	470	1050	4.6	600	1210			
		-	-	-	-	-	-	3.0	235	1010	3.8	420	1120	4.8	550	1280			
		-	-	-	-	-	-	3.1	195	1080	3.9	345	1190	4.9	510	1350			
		-	-	-	-	-	-	-	-	-	4.1	325	1260	5.1	465	1430			
		-	-	-	-	-	-	-	-	-	-	-	-	5.2	425	1490			
		-	-	-	-	-	-	-	-	-	-	-	-	5.3	390	1560			
		-	-	-	-	-	-	-	-	-	-	-	-	5.5	350	1640			

*At the stated pressure in bar.





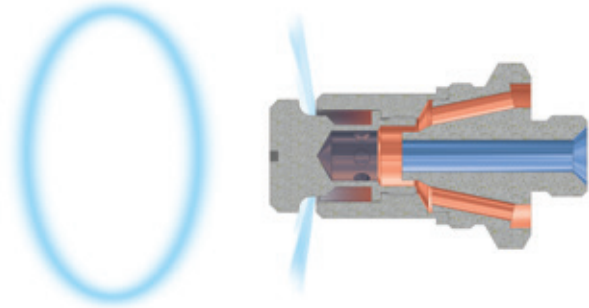
**PERFORMANCE DATA:
PRESSURE SPRAY SET-UPS | INTERNAL MIX | 360° CIRCULAR SPRAY**

Liquid is supplied to this spray set-up under pressure.

Liquid and compressed air or gas are mixed internally to produce a completely atomized spray.

When ordering only a spray set-up, 3199 retainer ring and 3612 gasket must be ordered separately. These components are included in a complete air atomizing nozzle assembly.

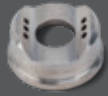
Please contact your sales engineer for more information.



360° circular spray pattern

Spray Set-up No.	Spray Set-up Consists of Fluid and Air Cap Combination	Liquid Capacity (liters per hour)* and Air Capacity (liters per minute)*														
		Liquid Pressure														
		0.7 bar			1.4 bar			2.1 bar			2.8 bar			4.2 bar		
		Air Press.	l/h	Air l/min	Air Press.	l/h	Air l/min	Air Press.	l/h	Air l/min	Air Press.	l/h	Air l/min	Air Press.	l/h	Air l/min
SU380C	Fluid Cap 251376 + Air Cap 469-6-130-160HC	1.0	213	345	1.7	394	453	2.5	439	634	3.35	462	787	5.0	484	1138
		1.1	145	418	1.8	324	526	2.65	372	702	3.5	416	843	5.2	439	1197
		1.25	97.6	575	1.95	275	574	2.8	322	750	3.65	372	891	5.3	409	1254
		1.4	59	538	2.1	207	642	2.95	277	818	3.8	325	956	5.5	366	1310
		–	–	–	2.25	159	702	3.1	272	874	3.9	282	1019	5.6	325	1367
		–	–	–	2.4	116	758	3.2	188	931	4.05	250	1084	5.8	297	1429
		–	–	–	2.5	93	829	3.35	145	990	4.2	209	1135	5.9	257	1486
		–	–	–	2.65	27	900	3.5	114	1050	4.35	168	1189	6.0	232	1551
		–	–	–	–	–	–	–	–	–	4.5	141	1259	6.3	182	1670
		–	–	–	–	–	–	–	–	–	4.6	77	1296	–	–	–

*At the stated pressure in psi.



PERFORMANCE DATA:
PRESSURE SPRAY SET-UPS | EXTERNAL MIX | FLAT SPRAY

For a flat spray pattern, "A" and "B" are the pattern widths at distances from the nozzle.

The total distance of spray projection from the nozzle to the maximum dispersal point is represented by "C".

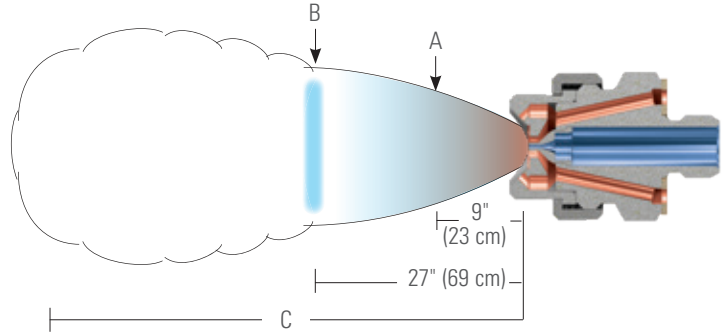
Liquid is supplied to this spray set-up under pressure.

The liquid and compressed air or gas are mixed externally to produce a completely atomized spray.

For external mix spray set-ups, atomization can be controlled by varying the air pressure without changing liquid flow rate.

When ordering only a spray set-up, 1705 retainer ring and 8491 gasket must be ordered separately. These components are included in a complete air atomizing nozzle assembly.

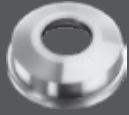
Please contact your sales engineer for more information.



Spray Set-up No.	Spray Set-up Consists of Fluid and Air Cap Combination	Liquid Capacity (liters per hour)* and Air Capacity (liters per minute)*															Spray Dimensions		
		Liquid Pressure															A (cm)	B (cm)	C (m)
		0.2 bar			0.35 bar			0.5 bar			0.7 bar			1 bar					
		Air Press.	l/h	Air l/min	Air Press.	l/h	Air l/min	Air Press.	l/h	Air l/min	Air Press.	l/h	Air l/min	Air Press.	l/h	Air l/min			
SUE75	Fluid Cap 250375 + Air Cap 14356	2.1	522	877	2.8	681	1075	3.15	795	1174	3.85	953	1358	5.6	1158	1839	21.6 - 25.4	52 - 66	5.8 - 8.9
		2.45	522	962	3.15	681	1174	3.5	795	1273	4.2	953	1457	6.0	1158	1952			
		2.8	522	1075	3.5	681	1273	3.85	795	1358	4.9	953	1641	6.3	1158	2037			
		3.15	522	1174	3.85	681	1358	4.2	795	1457	5.25	953	1754	6.6	1158	2122			
		-	-	-	4.2	681	1457	4.55	795	1556	5.6	953	1839	7.0	1158	2207			
		-	-	-	-	-	-	4.9	795	1641	6.0	953	1952	-	-	-			

*At the stated pressure in bar.





**PERFORMANCE DATA:
SIPHON/GRAVITY SPRAY SET-UPS | EXTERNAL MIX | ROUND SPRAY**

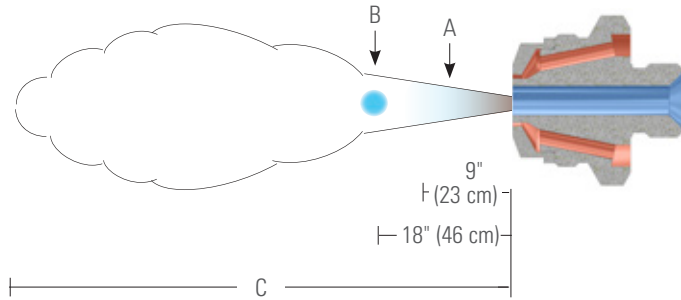
For a round spray pattern, "A" and "B" are the pattern widths at distances from the nozzle.

The total distance of spray projection from the nozzle to the maximum dispersal point is represented by "C".

Liquid is supplied to this spray set-up by either a liquid siphon or a gravity-feed. The liquid drawn through the feed line into the air flow where it is atomized.

When ordering only a spray set-up, 5713 retainer ring must be ordered separately. This component is included in a complete air atomizing nozzle assembly.

Please contact your sales engineer for more information.



Spray Set-up No.	Spray Set-up Consists of Fluid and Air Cap Combination	Atomizing Air		Liquid Capacity (liters per hour)*						A (cm)	B (cm)	C (m)	
		Air Press.	Air Capacity l/min	Gravity Head (cm)			Siphon Height (cm)						
				45	30	15	10	20	30				60
SU70	Fluid Cap 250375 + Air Cap 437	.70	360	-	-	-	40	-	-	-	9	22	6.1 - 10.7
		1.5	570	-	-	-	97	64	-	-			
		2.0	660	-	-	-	117	90	-	-			
		3.0	870	-	260	225	150	123	90	-			
		3.5	990	300	265	235	163	133	104	-			
		4.0	1100	305	270	240	170	143	115	-			
		5.0	1300	315	280	250	183	157	129	53			
		5.6	1450	320	290	255	188	164	136	62			

*At the stated pressure in psi.





PERFORMANCE DATA:
PRESSURE SPRAY SET-UPS | INTERNAL MIX | WIDE ANGLE ROUND SPRAY

For a wide angle round spray, dimensions "A" and "B" are the pattern widths at distances from the nozzle.

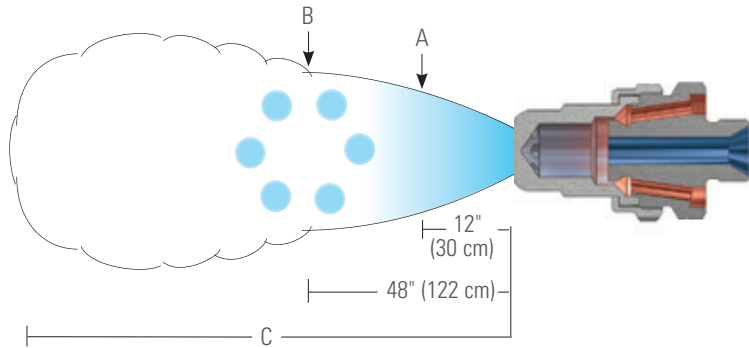
The total distance of spray projection from the nozzle to the maximum dispersal point is represented by "C".

Liquid is supplied to this spray set-up under pressure.

Liquid and compressed air or gas are mixed internally to produce a completely atomized spray.

When ordering only a spray set-up, 5713 retainer ring must be ordered separately. This component is included in a complete air atomizing nozzle assembly.

Please contact your sales engineer for more information.



Spray Set-up No.	Spray Set-up Consists of Fluid and Air Cap Combination	Liquid Capacity (liters per minute)* and Air Capacity (liters per minute)*														Spray Dimensions			
		Liquid Pressure														A (cm)	B (cm)	C (m)	
		0.7 bar		1.5 bar		2 bar		3 bar		4 bar									
		Air Press.	l/min	Air l/min	Air Press.	l/min	Air l/min	Air Press.	l/min	Air l/min	Air Press.	l/min	Air l/min						
SU159	Fluid Cap 4371000 + Air Cap 1109-6-224-70*	.85	12.1	1220	1.8	16.3	1840	2.2	19.5	2050	3.1	30	2360	4.2	33	3110	48 - 56	119 - 170	4.3 - 15.5
		1.0	9.1	1440	2.0	13.2	2110	2.4	16.1	2350	3.2	26	2650	4.4	30	3410			
		1.1	6.4	1730	2.1	10.7	2420	2.5	13.3	2650	3.4	23	2940	4.5	26	3720			
		-	-	-	2.2	8.5	2720	2.7	11.2	2940	3.5	19.7	3240	4.6	24	4040			
		-	-	-	2.4	6.8	3030	2.8	9.2	3230	3.7	17.0	3530	4.8	21	4330			
		-	-	-	-	-	-	3.0	7.6	3510	3.8	14.7	3820	4.9	18.9	4670			
		-	-	-	-	-	-	-	-	-	3.9	12.7	4120	5.1	17.0	5010			
		-	-	-	-	-	-	-	-	-	4.1	11.0	4420	5.2	15.2	5380			
		-	-	-	-	-	-	-	-	-	4.2	9.5	4810	5.3	13.7	5750			

*At the stated pressure in bar.





**PERFORMANCE DATA:
PRESSURE SPRAY SET-UPS | INTERNAL MIX | ROUND SPRAY**

For a round spray, dimensions "A" and "B" are the pattern widths at distances from the nozzle.

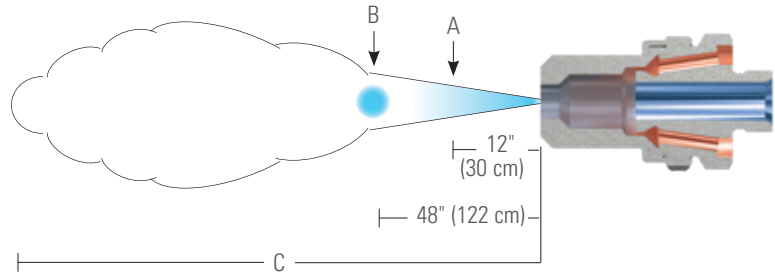
The total distance of spray projection from the nozzle to the maximum dispersal point is represented by "C".

Liquid is supplied to this spray set-up under pressure.

Liquid and compressed air or gas are mixed internally to produce a completely atomized spray.

When ordering only a spray set-up, 5713 retainer ring must be ordered separately. This component is included in a complete air atomizing nozzle assembly.

Please contact your sales engineer for more information.



Spray Set-up No.	Spray Set-up Consists of Fluid and Air Cap Combination	Liquid Capacity (liters per minute)* and Air Capacity (liters per minute)*														Spray Dimensions			
		Liquid Pressure														A (cm)	B (cm)	C (m)	
		0.7 bar		1.5 bar		2 bar		3 bar		4 bar									
		Air Press.	l/min	Air l/min	Air Press.	l/min	Air l/min	Air Press.	l/min	Air l/min	Air Press.	l/min	Air l/min						
SU152	Fluid Cap 4371000 + Air Cap 11091547	.85	12.1	1220	1.8	16.3	1840	2.2	19.5	2050	3.1	30	2360	4.2	33	3110	10.2 - 12.7	30 - 38	9.1 - 21.3
		1.0	9.1	1440	2.0	13.2	2110	2.4	16.1	2350	3.2	26	2650	4.4	30	3410			
		1.1	6.4	1730	2.1	10.7	2420	2.5	13.3	2650	3.4	23	2940	4.5	26	3720			
		-	-	-	2.2	8.5	2720	2.7	11.2	2940	3.5	19.7	3240	4.6	24	4040			
		-	-	-	2.4	6.8	3030	2.8	9.2	3230	3.7	17.0	3530	4.8	21	4330			
		-	-	-	-	-	-	3.0	7.9	3510	3.8	14.7	3820	4.9	18.9	4670			
		-	-	-	-	-	-	-	-	-	3.9	12.7	4120	5.1	17.0	5010			
		-	-	-	-	-	-	-	-	-	4.1	11.0	4420	5.2	15.2	5380			
SU172	Fluid Cap 6251000 + Air Cap 11251625	.85	22	1370	1.7	37	1780	2.0	48	1560	3.1	54	2270	4.1	65	2360	15	33 - 38	7.5 - 15.2
		1.0	16.7	2320	1.8	32	2290	2.1	42	1950	3.2	49	2630	4.2	61	2660			
		1.1	13.1	3620	2.0	28	3000	2.2	37	2400	3.4	46	3030	4.6	52	3480			
		1.3	10.4	5300	2.1	25	3840	2.4	34	2920	3.5	42	3510	4.9	46	4520			
		-	-	-	2.2	22	4930	2.5	30	3430	3.7	39	3990	-	-	-			
		-	-	-	-	-	-	-	-	-	3.8	37	4590	-	-	-			

*At the stated pressure in bar.



PERFORMANCE DATA:
PRESSURE SPRAY SET-UPS | INTERNAL MIX | FLAT SPRAY

For a flat spray pattern, "A" and "B" are the pattern widths at distances from the nozzle.

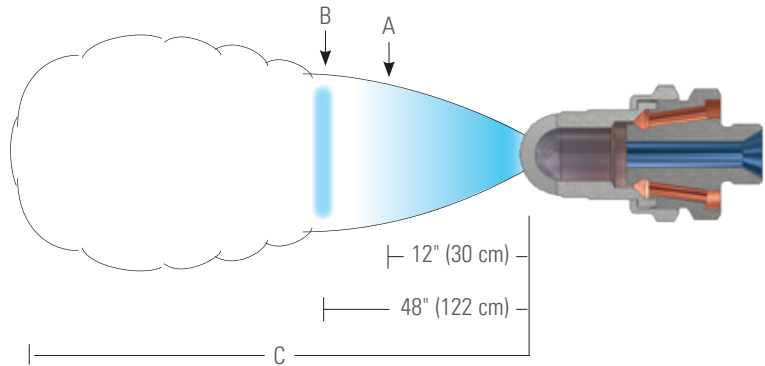
The total distance of spray projection from the nozzle to the maximum dispersal point is represented by "C".

Liquid is supplied to this spray set-up under pressure.

Liquid and compressed air or gas are mixed internally to produce a completely atomized spray.

When ordering only a spray set-up, 5713 retainer ring must be ordered separately. This component is included in a complete air atomizing nozzle assembly.

Please contact your sales engineer for more information.



Spray Set-up No.	Spray Set-up Consists of Fluid and Air Cap Combination	Liquid Capacity (liters per minute)* and Air Capacity (liters per minute)*														Spray Dimensions			
		Liquid Pressure														A (cm)	B (cm)	C (m)	
		0.7 bar		1.5 bar		2 bar		3 bar		4 bar									
		Air Press.	l/min	Air l/min	Air Press.	l/min	Air l/min	Air Press.	l/min	Air l/min	Air Press.	l/min	Air l/min						
SU155	Fluid Cap 4371000 + Air Cap 11093187	.85	12.1	1220	1.8	16.3	1840	2.2	19.5	2050	3.1	30	2360	4.2	33	3110	74 - 124	178 - 320	6.4 - 10.3
		1.0	9.1	1440	2.0	13.2	2110	2.4	16.1	2350	3.2	26	2650	4.4	30	3410			
		1.1	6.4	1730	2.1	10.7	2420	2.5	13.3	2650	3.4	23	2940	4.5	26	3720			
		-	-	-	2.2	8.5	2720	2.7	11.2	2940	3.5	19.7	3240	4.6	24	4040			
		-	-	-	2.4	6.8	3030	2.8	9.2	3230	3.7	17.0	3530	4.8	21	4330			
		-	-	-	-	-	-	3.0	7.6	3510	3.8	14.7	3820	4.9	18.9	4670			
		-	-	-	-	-	-	-	-	-	3.9	12.7	4120	5.1	17.0	5010			
		-	-	-	-	-	-	-	-	-	4.1	11.0	4420	5.2	15.2	5380			
		-	-	-	-	-	-	-	-	-	4.2	9.5	4810	5.3	13.7	5750			

*At the stated pressure in bar.





**PERFORMANCE DATA:
PRESSURE SPRAY SET-UPS | EXTERNAL MIX | FLAT SPRAY**

For a flat spray pattern, “A” and “B” are the pattern widths at distances from the nozzle.

The total distance of spray projection from the nozzle to the maximum dispersal point is represented by “C”.

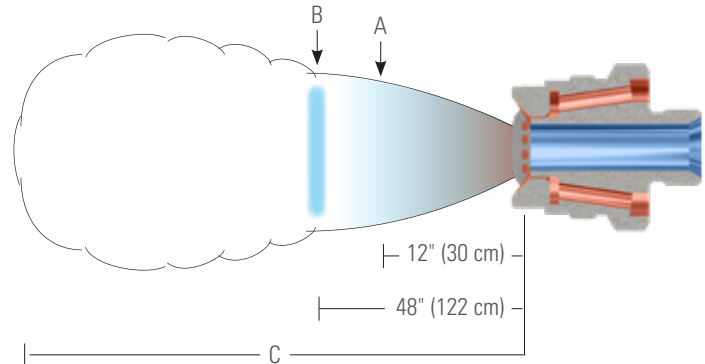
Liquid is supplied to this spray set-up under pressure.

The liquid and compressed air or gas are mixed externally to produce a completely atomized spray.

For external mix spray set-ups, atomization can be controlled by varying the air pressure without changing liquid flow rate.

When ordering only a spray set-up, 12415 retainer ring must be ordered separately. This component is included in a complete air atomizing nozzle assembly.

Please contact your sales engineer for more information.



Spray Set-up No.	Spray Set-up Consists of Fluid and Air Cap Combination	Liquid Capacity (liters per minute)* and Air Capacity (liters per minute)*															Spray Dimensions		
		Liquid Pressure															A (cm)	B (cm)	C (m)
		0.2 bar			0.3 bar			0.5 bar			0.7 bar			1 bar					
		Air Press.	l/min	Air l/min	Air Press.	l/min	Air l/min	Air Press.	l/min	Air l/min	Air Press.	l/min	Air l/min	Air Press.	l/min	Air l/min			
SUE175B	Fluid Cap 625780 + Air Cap 12116	1.4	49	2460	1.8	59	2860	2.1	76	3260	2.8	90	3960	3.5	107	4700	51 - 58	119 - 130	7.6 - 10.7
		1.8	49	2860	2.1	59	3260	2.8	76	3960	3.5	90	4700	4.2	107	5410			
		2.1	49	3260	2.8	59	3960	3.5	76	4700	4.2	90	5410	4.9	107	6120			
		2.8	49	3960	3.5	59	4700	4.2	76	5410	4.9	90	6120	5.6	107	6850			
		3.5	49	4700	4.2	59	5410	4.9	76	6120	5.6	90	6850	6.3	107	7590			
		4.2	49	5410	4.8	59	6120	5.6	76	6850	6.3	90	7590	-	-	-			

*At the stated pressure in bar.





PERFORMANCE DATA:
SIPHON/GRAVITY SPRAY SET-UPS | EXTERNAL MIX | ROUND SPRAY

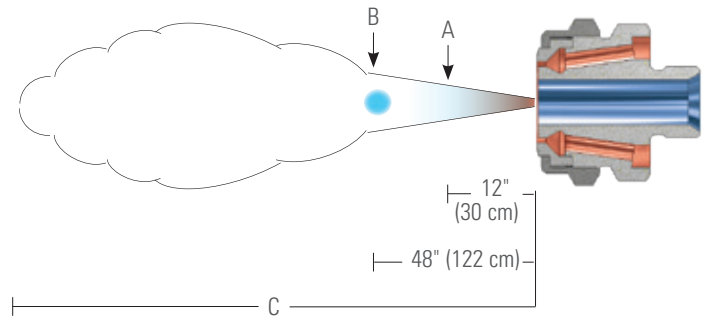
For a round spray pattern, "A" and "B" are the pattern widths at distances from the nozzle.

The total distance of spray projection from the nozzle to the maximum dispersal point is represented by "C".

Liquid is supplied to this spray set-up by either a liquid siphon or a gravity-feed. The liquid drawn through the feed line into the air flow where it is atomized.

When ordering only a spray set-up, 5713 retainer ring must be ordered separately. This component is included in a complete air atomizing nozzle assembly.

Please contact your sales engineer for more information.



Spray Set-up No.	Spray Set-up Consists of Fluid and Air Cap Combination	Atomizing Air		Liquid Capacity (liters per minute)*							Spray Dimensions at 20 cm Siphon Height		
		Air Press.	Air Capacity l/min	Gravity Head (cm)			Siphon Height (cm)				A (cm)	B (cm)	C (m)
				45	30	15	10	20	30	60			
SU170	Fluid Cap 6251000 + Air Cap 1125	1.4	2971	-	-	12.9	7.2	-	-	-	13	38	8.8 - 19.5
		1.75	3396	19.7	17.0	13.6	8.3	-	-	-			
		2.1	3821	20.1	17.4	14.4	9.1	5.3	-	-			
		2.8	4670	20.4	17.8	14.8	9.8	6.8	4.2	-			
		4.2	6368	20.8	18.5	15.9	11.0	8.3	5.7	1.5			
		5.6	8066	21.2	18.9	16.6	11.4	8.7	6.1	1.9			
		7.0	9764	21.6	19.3	17.0	11.7	9.1	6.4	2.3			

*At the stated pressure in bar.





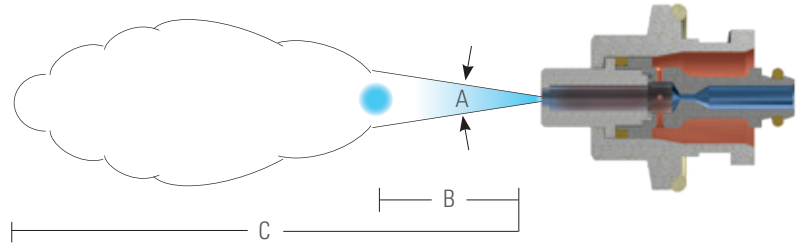
**PERFORMANCE DATA:
PRESSURE SPRAY SET-UPS | INTERNAL | ROUND SPRAY**

For this QuickMist round spray set-up, angle "A" is maintained throughout distance "B". Beyond "B", the spray becomes turbulent and projects out to distance "C".

Liquid is supplied to this spray set-up under pressure.

Liquid and compressed air or gas are mixed internally to produce a completely atomized spray.

Please contact your sales engineer for more information.



Spray Set-up No.	Spray Set-up Consists of Fluid and Air Cap Combination	Liquid Capacity (liters per hour)* and Air Capacity (liters per minute)*															Spray Dimensions					
		Liquid Pressure															Spray Angle A (°)	B (cm)	C (m)			
		1 bar			2 bar			3 bar			4 bar			5 bar								
Air Press.	l/h	l/min	Air Press.	l/h	l/min	Air Press.	l/h	l/min	Air Press.	l/h	l/min	Air Press.	l/h	l/min	Air Press.	l/h	l/min					
SUQR220B	Fluid Cap PFO40 + Air Cap PAQR95	1	24	34	-	-	-	-	-	-	-	-	-	-	-	-	-	-	12 - 15	25 - 56	4.2 - 7.3	
		1.9	8.1	62	1.9	31	53	-	-	-	-	-	-	-	-	-	-	-				
		-	-	-	3	15.2	83	3	34	74	3	51	66	3	65	60	-	-				-
		-	-	-	3.4	9.9	94	3.4	29	85	3.4	45	75	3.4	61	69	-	-				-
		-	-	-	-	-	-	4	22	100	4	38	90	4	54	82	-	-				-
		-	-	-	-	-	-	5	10.3	126	5	28	116	5	44	108	-	-				-

*At the stated pressure in bar.



PERFORMANCE DATA:
PRESSURE SPRAY SET-UPS | INTERNAL | WIDE ANGLE ROUND SPRAY

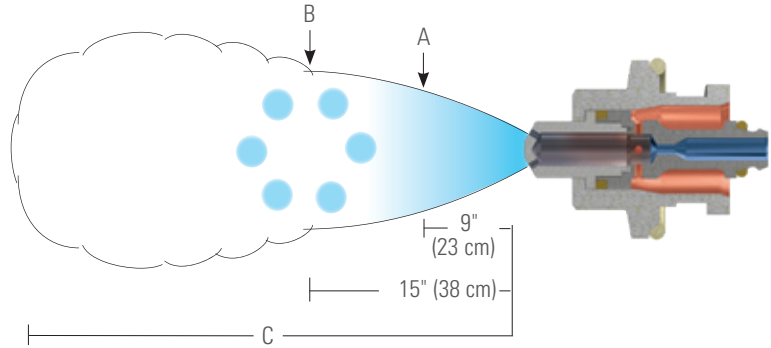
For these QuickMist wide angle round spray set-ups, "A" and "B" are the pattern widths at distances from the nozzle.

The total distance of spray projection from the nozzle to the maximum dispersal point is represented by "C".

Liquid is supplied to this spray set-up under pressure.

Liquid and compressed air or gas are mixed internally to produce a completely atomized spray.

Please contact your sales engineer for more information.



Spray Set-up No.	Spray Set-up Consists of Fluid and Air Cap Combination	Liquid Capacity (liters per hour)* and Air Capacity (liters per minute)*														Spray Dimensions						
		Liquid Pressure														A (cm)	B (cm)	C (m)				
		1 bar			2 bar			3 bar			4 bar			5 bar								
Air Press.	l/h	l/min	Air Press.	l/h	l/min	Air Press.	l/h	l/min	Air Press.	l/h	l/min	Air Press.	l/h	l/min	Air Press.	l/h	l/min					
SUQW260B	Fluid Cap PFQ30 + Air Cap PAQW37-60	1	16.0	39	-	-	-	-	-	-	-	-	-	-	-	-	-	-	15 - 20	18 - 30	2.7 - 5.5	
		-	-	-	1.9	19.9	60	-	-	-	-	-	-	-	-	-	-	-				
		-	-	-	3	10.6	90	3	22	85	3	31	79	3	38	73	-	-				-
		-	-	-	3.4	6.9	101	3.4	19.3	97	3.4	28	90	3.4	36	84	-	-				-
		-	-	-	-	-	-	4	15.1	112	4	25	106	4	24	99	-	-				-
SUQW260	Fluid Cap PFQ60 + Air Cap PAQW37-60	1	31	39	-	-	-	-	-	-	-	-	-	-	-	-	-	-	18 - 23	23 - 33	3.7 - 5.8	
		-	-	-	1.9	37	60	1.9	92	27	-	-	-	-	-	-	-	-				
		-	-	-	-	-	-	3	34	93	3	87	51	3	124	34	-	-				-
		-	-	-	-	-	-	3.4	12.2	146	3.4	69	72	3.4	111	46	-	-				-
		-	-	-	-	-	-	-	-	-	4	42	113	4	91	68	-	-				-
SUQW290	Fluid Cap PFQ60 + Air Cap PAQW52-60	1	45	68	-	-	-	-	-	-	-	-	-	-	-	-	-	-	18 - 23	23 - 33	3.7 - 5.8	
		1.9	7.2	149	1.9	57	87	-	-	-	-	-	-	-	-	-	-	-				
		-	-	-	3	18.9	191	3	63	151	-	-	-	-	-	-	-	-				
		-	-	-	3.4	9.4	214	3.4	50	178	3.4	91	148	-	-	-	-	-				
		-	-	-	-	-	-	4	33	216	4	74	179	4	109	159	-	-				-
-	-	-	-	-	-	-	-	-	5	45	242	5	81	214	-	-	-					

*At the stated pressure in bar.





**PERFORMANCE DATA:
PRESSURE SPRAY SET-UPS | INTERNAL | FLAT SPRAY**

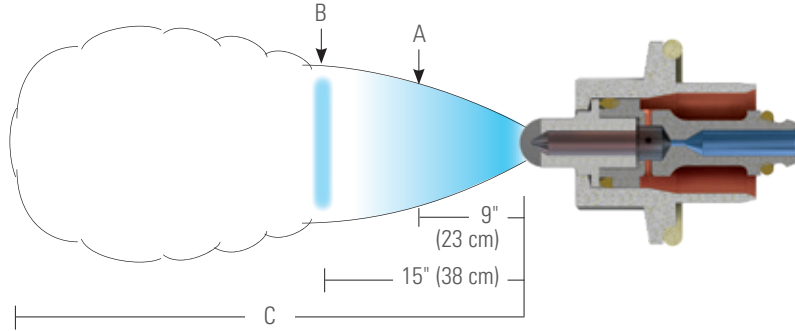
For these QuickMist flat spray set-ups, "A" and "B" are the pattern widths at distances from the nozzle.

The total distance of spray projection from the nozzle to the maximum dispersal point is represented by "C".

Liquid is supplied to this spray set-up under pressure.

Liquid and compressed air or gas are mixed internally to produce a completely atomized spray.

Please contact your sales engineer for more information.



Spray Set-up No.	Spray Set-up Consists of Fluid and Air Cap Combination	Liquid Capacity (liters per hour)* and Air Capacity (liters per minute)*															Spray Dimensions				
		Liquid Pressure															A (cm)	B (cm)	C (m)		
		1 bar			2 bar			3 bar			4 bar			5 bar							
		Air Press.	l/h	l/min	Air Press.	l/h	l/min	Air Press.	l/h	l/min	Air Press.	l/h	l/min	Air Press.	l/h	l/min					
SUQF130	Fluid Cap PFQ20 + Air Cap PAQF28	1	5.7	29	1	12.5	25	-	-	-	-	-	-	-	-	-	-	-	13 - 23	18 - 33	25 - 51
		-	-	-	1.9	6.9	45	1.9	13.5	39	1.9	18.0	38	-	-	-	-	-			
		-	-	-	-	-	-	3	7.1	63	3	13.7	56	3	18.1	53	-	-			
		-	-	-	-	-	-	-	-	-	3.4	11.5	65	3.4	16.6	60	-	-			
		-	-	-	-	-	-	-	-	-	4	8.2	77	4	14.2	70	-	-			
SUQFN130	Fluid Cap PFQ30 + Air Cap PAQF28	1	10.8	24	-	-	-	-	-	-	-	-	-	-	-	-	-	-	13 - 30	18 - 46	20 - 58
		-	-	-	1.9	12.7	38	1.9	27	31	-	-	-	-	-	-	-	-			
		-	-	-	-	-	-	3	12.8	55	3	26	45	-	-	-	-	-			
		-	-	-	-	-	-	3.4	6.8	70	3.4	21	54	3.4	32	47	-	-			
		-	-	-	-	-	-	-	-	-	4	15.2	69	4	27	58	-	-			
SUQF230B	Fluid Cap PFQ30 + Air Cap PAQF35	1	11.6	27	-	-	-	-	-	-	-	-	-	-	-	-	-	-	10 - 25	13 - 38	18 - 56
		-	-	-	1.9	13.8	42	1.9	27	35	-	-	-	-	-	-	-	-			
		-	-	-	-	-	-	3	14.4	60	3	27	50	3	26	46	-	-			
		-	-	-	-	-	-	3.4	8.5	74	3.4	23	59	3.4	32	53	-	-			
		-	-	-	-	-	-	-	-	-	4	16.8	73	4	28	64	-	-			
SUQF230	Fluid Cap PFQ40 + Air Cap PAQF40	1	18.9	23	-	-	-	-	-	-	-	-	-	-	-	-	-	-	10 - 30	13 - 46	15 - 53
		-	-	-	1.9	22.1	38	-	-	-	-	-	-	-	-	-	-	-			
		-	-	-	-	-	-	3	23	56	-	-	-	-	-	-	-	-			
		-	-	-	-	-	-	3.4	12.8	72	3.4	38	51	-	-	-	-	-			
		-	-	-	-	-	-	-	-	-	4	27	69	4	47	54	-	-			
-	-	-	-	-	-	-	-	-	-	-	-	5	30	81	-	-					

*At the stated pressure in bar.





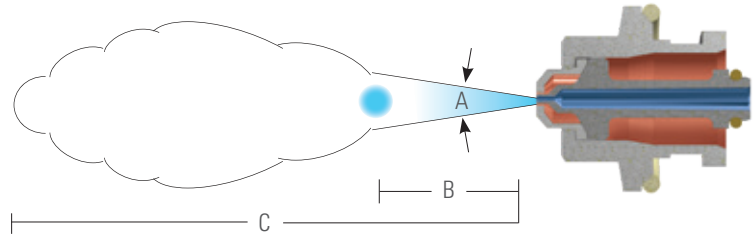
PERFORMANCE DATA:
SIPHON/GRAVITY SPRAY SET-UPS | INTERNAL MIX | ROUND SPRAY

For a round spray pattern, angle "A" is maintained throughout distance "B". Beyond "B", the spray becomes turbulent and projects out to distance "C".

Liquid is supplied to this spray set-up by either a liquid siphon or a gravity-feed.

Liquid is drawn through the feed line into the air flow where it is atomized.

Please contact your sales engineer for more information.



Spray Set-up No.	Spray Set-up Consists of Fluid and Air Cap Combination	Liquid Capacity (liters per hour)* and Air Capacity (liters per minute)*									Spray Dimensions 20 cm siphon height		
		Atomizing Air		Liquid Capacity							Spray Angle A (°)	B (cm)	C (m)
		Air Press.	Air Capacity	Gravity Head (cm.)			Siphon Heights (cm.)						
				45	30	15	10	20	30	60			
SUQR200	Fluid Cap PFAQ5028 + Air Cap PAQR070	0.7	17	4.3	4.1	3.4	2.8	2.1	1.5	–	19 - 20	38 - 60	2 - 3
		1.4	28	4.5	4.1	3.4	3.1	2.5	2.2	–			
		2.8	45	5.3	5.1	4.4	4.5	4.1	3.8	2.1			
		4.1	62	4.5	4.7	4.9	4.0	4.0	3.2	2.4			
SUQR300	Fluid Cap PFAQ10060 + Air Cap PAQR120	0.7	31	19.7	17.4	14.5	8.9	4.3	–	–	19 - 20	41 - 53	3.7 - 5
		1.4	48	21	18.3	15.5	11.7	9.2	–	–			
		2.8	76	23	20	18.6	15.9	13.4	10.4	–			
		4.1	108	23	21	18.8	17.2	14.5	11.9	2.5			

*At the stated pressure in bar.





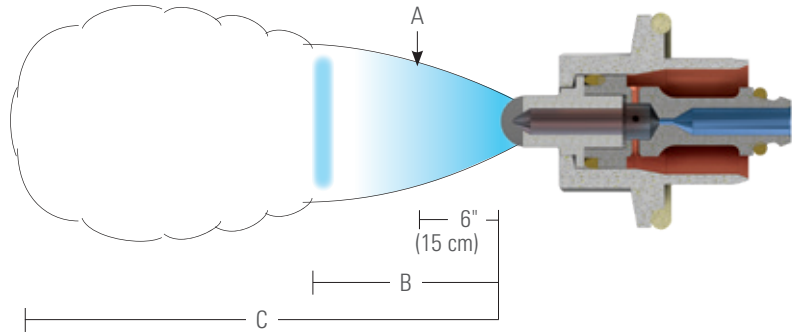
**PERFORMANCE DATA:
SIPHON/GRAVITY SPRAY SET-UPS | INTERNAL MIX | FLAT SPRAY**

For these QuickMist flat spray set-ups, "A" is the spray pattern width at 6" (15 cm). Beyond distance "B" the spray becomes turbulent and projects out to distance "C".

Liquid is supplied to this spray set-up by either a liquid siphon or a gravity-feed.

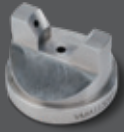
Liquid is drawn through the feed line into the air flow where it is atomized.

Please contact your sales engineer for more information.



Spray Set-up No.	Spray Set-up Consists of Fluid and Air Cap Combination	Liquid Capacity (liters per hour)* and Air Capacity (liters per minute)*								Spray Dimensions at 20 cm siphon height			
		Atomizing Air		Liquid Capacity						A (cm)	B (cm)	C (m)	
		Air Press.	Air Capacity l/min	Gravity Head (cm)			Siphon Heights (cm)						
				45	30	15	10	20	30				60
SUQF200C	Fluid Cap PFO10035 + Air Cap PAQF450121	0.7	37	7.8	6.9	6.1	4.7	4.3	4.0	1.3	20	18 - 25	.6 - .9
		1.4	54	7.6	6.8	6.0	5.3	4.9	4.6	2.1			
		2.8	88	6.8	6.2	5.5	5.6	5.3	4.8	2.8			
		4.1	122	5.8	5.1	4.5	5.4	4.9	4.4	2.9			
SUQF300B	Fluid Cap PFO10040 + Air Cap PAQF450121	0.7	37	8.4	7.2	6.4	5.1	4.8	3.4	1.8	15.2	15 - 18	.9 - 1.2
		1.4	54	8.0	7.3	6.7	5.4	5.1	4.2	2.4			
		2.8	88	7.1	6.8	6.4	5.5	5.2	4.8	3.1			
		4.1	122	6.2	5.9	5.6	5.2	5.0	4.7	3.6			
SUQF300	Fluid Cap PFO10060 + Air Cap PAQF450121	0.7	37	10.6	9.1	7.5	6.4	5.6	4.9	2.4	10.2	10 - 13	1.2 - 1.5
		1.4	54	9.7	8.4	7.4	6.9	6.2	5.4	3.2			
		2.8	88	7.6	6.7	6.2	7.0	6.3	5.5	4.0			
		4.1	122	5.1	4.8	4.2	6.4	5.7	5.0	4.2			

*At the stated pressure in bar.



PERFORMANCE DATA:
PRESSURE SPRAY SET-UPS | EXTERNAL MIX | VARIABLE SPRAY

SUVM spray set-ups provide uniform spray distribution even when spraying viscous liquids.

Liquid is supplied to this spray set-up under pressure.

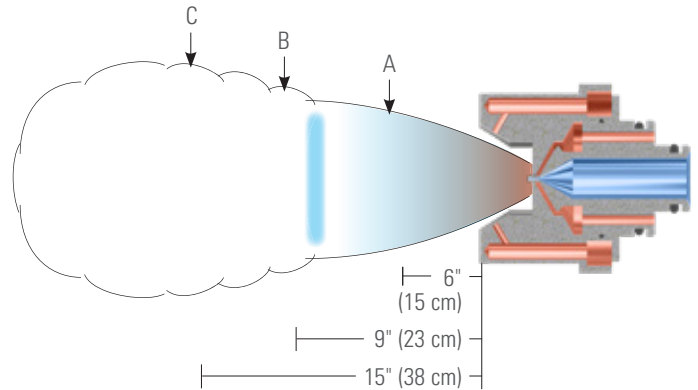
The liquid and compressed air or gas are mixed externally to produce a completely atomized spray.

For external mix spray set-ups, atomization can be controlled by varying the air pressure without changing liquid flow rate.

Independent control of fan air provides the ability to adjust the spray pattern without changing liquid flow rate.

Spray coverage dimensions are provided in the table below at various distances from the nozzle.

Please contact your sales engineer for more information.



Spray Set-up No.	Spray Set-up Consists of Fluid and Air Cap Combination	Air Capacity*			Liquid Capacity*		Spray Coverage (cm) at Indicated Distance from Nozzle Fan Air Pressure																							
		Press.	Capacity		Press.	Cap. l/h	Atom. Air Press.	Water Press.	0			0.3			0.7			1.5			2			3						
			Atomizing Air l/min	Fan Air l/min					A	B	C	A	B	C	A	B	C	A	B	C	A	B	C	A	B	C				
SUVM67B	Fluid Cap VMF1650 + Air Cap VMA67255-60	0.7	12.5	61	0.2	2.8	0.7	0.2	5.1	7.6	10.2	12.7	15.2	20.3	17.8	22.9	25.4	17.8	22.9	27.9	8.9	10.2	15.2	-	-	-				
									6.4	8.9	11.4	15.2	20.3	24.1	17.8	22.9	27.9	20.3	25.4	30.5	8.9	10.2	14.0	-	-	-				
									-	-	-	15.2	22.9	27.9	20.3	30.5	33	25.4	30.5	35.6	8.9	14.0	17.8	-	-	-				
			1	15					76	0.3	3.8	1.5	5.1	7.6	11.4	10.2	12.7	15.2	17.8	22.9	20.3	17.8	22.9	27.9	12.7	16.5	17.8	17.8	20.3	25.4
													5.1	7.6	10.2	10.2	17.8	22.9	17.8	22.9	25.4	20.3	25.4	30.5	11.4	12.7	15.2	17.8	20.3	25.4
													5.1	7.6	10.2	10.2	17.8	22.9	20.3	25.4	30.5	22.9	30.5	35.6	15.2	19.1	22.9	17.8	20.3	25.4
		2	23	125	0.7	5.3	2	5.1	7.6				11.4	7.6	10.2	12.7	12.7	15.2	17.8	15.2	20.3	25.4	14.0	15.2	17.8	17.8	22.9	27.9		
								5.1	7.6				11.4	10.2	11.4	15.2	15.2	19.1	25.4	17.8	22.9	27.9	14.0	16.5	20.3	17.8	22.9	30.5		
								5.1	7.6				10.2	11.4	15.2	20.3	17.8	22.9	30.5	20.3	25.4	30.5	15.2	17.8	22.9	20.3	22.9	27.9		
		3	42	215				1	6.4	3	6.4	8.9	15.2	8.9	11.4	17.8	12.7	15.2	20.3	15.2	20.3	25.4	12.7	16.5	20.3	17.8	22.9	27.9		
											5.1	7.6	12.7	10.2	12.7	19.1	12.7	17.8	22.9	17.8	22.9	27.9	15.2	19.1	22.9	17.8	22.9	27.9		
											5.1	7.6	11.4	10.2	14.0	20.3	15.2	20.3	25.4	20.3	22.9	27.9	15.2	19.1	25.4	20.3	25.4	30.5		
		5.5	55	272	1.5	7.2	4				6.4	8.9	15.2	7.6	11.4	15.2	10.2	12.7	15.2	12.7	17.8	22.9	12.7	16.5	25.4	17.8	22.9	27.9		
											6.4	7.6	12.7	8.9	10.2	16.5	11.4	12.7	17.8	17.8	22.9	27.9	15.2	19.1	27.9	20.3	25.4	30.5		
											5.1	7.6	11.4	8.9	12.7	17.8	12.7	17.8	22.9	17.8	22.9	27.9	15.2	19.1	29.2	20.3	25.4	30.5		

*At the stated pressure in bar.

Anti-bearding set-ups are available to reduce nozzle build-up and maintenance time for select external mix air atomizing nozzles. For more information, call 1.630.665.5000.



**PERFORMANCE DATA:
PRESSURE SPRAY SET-UPS | EXTERNAL MIX | VARIABLE SPRAY**

Spray Set-up No.	Spray Set-up Consists of Fluid and Air Cap Combination	Air Capacity*			Liquid Capacity*		Spray Coverage (cm) at Indicated Distance from Nozzle Fan Air Pressure																					
		Press.	Capacity		Press.	Cap. l/h	Atom. Air Press.	Water Press.	0			0.3			0.7			1.5			2			3				
			Atomizing Air l/min	Fan Air l/min					A	B	C	A	B	C	A	B	C	A	B	C	A	B	C	A	B	C		
SUVM67A	Fluid Cap VMF2050 + Air Cap VMA67255-60	0.7	12.5	61	0.2	4	0.7	0.2	5.1	7.6	10.2	12.7	15.2	20.3	17.8	22.9	25.4	17.8	22.9	27.9	8.9	10.2	11.4	-	-	-		
									6.4	8.9	11.4	15.2	20.3	24.1	17.8	22.9	27.9	20.3	25.4	30.5	11.4	12.7	15.2	-	-	-		
									-	-	-	15.2	22.9	27.9	20.3	30.5	33	25.4	30.5	35.6	17.8	21.6	24.1	-	-	-		
		1	15	76	0.3	5.5	1.5	0.7	0.2	5.1	7.6	11.4	10.2	12.7	15.2	15.2	17.8	20.3	17.8	22.9	27.9	12.7	17.8	21.6	17.8	20.3	25.4	
										6.4	8.9	10.2	12.7	17.8	22.9	20.3	25.4	30.5	22.9	30.5	35.6	17.8	20.3	25.4	17.8	20.3	25.4	
										-	-	-	15.2	17.8	22.9	20.3	25.4	30.5	22.9	30.5	35.6	17.8	20.3	25.4	17.8	20.3	25.4	
		1.5	17.5	93	0.7	8	2	0.7	0.2	5.1	7.6	11.4	7.6	10.2	12.7	12.7	15.2	17.8	15.2	20.3	25.4	14.0	16.5	17.8	17.8	22.9	27.9	
										6.4	8.9	10.2	11.4	15.2	19.1	25.4	17.8	22.9	27.9	17.8	22.9	25.4	17.8	22.9	25.4	17.8	22.9	25.4
										-	-	-	11.4	15.2	20.3	17.8	22.9	30.5	20.3	25.4	30.5	20.3	25.4	30.5	20.3	25.4	30.5	
		2	23	125	1	9.5	3	0.7	0.2	6.4	8.9	15.2	8.9	11.4	17.8	12.7	15.2	20.3	15.2	20.3	25.4	15.2	20.3	22.9	17.8	22.9	27.9	
										5.1	7.6	12.7	10.2	12.7	19.1	12.7	17.8	22.9	17.8	22.9	27.9	15.2	20.3	24.1	17.8	22.9	27.9	
										-	-	-	10.2	14.0	20.3	15.2	20.3	25.4	20.3	22.9	27.9	15.2	21.6	26.7	20.3	25.4	30.5	
		3	29	156	1.5	11	4	0.7	0.2	6.4	8.9	15.2	7.6	11.4	15.2	10.2	12.7	15.2	12.7	17.8	22.9	16.5	19.1	22.9	17.8	22.9	27.9	
										5.1	7.6	11.4	8.9	10.2	17.8	12.7	17.8	22.9	17.8	22.9	27.9	16.5	22.9	27.9	20.3	25.4	30.5	
										-	-	-	11.4	14.0	20.3	15.2	20.3	25.4	17.8	22.9	27.9	16.5	22.9	30.5	20.3	25.4	30.5	
		3.5	36	187	1.5	11	4	0.7	0.2	6.4	8.9	15.2	7.6	11.4	15.2	10.2	12.7	15.2	12.7	17.8	22.9	16.5	19.1	22.9	17.8	22.9	27.9	
										5.1	7.6	11.4	8.9	10.2	17.8	12.7	17.8	22.9	17.8	22.9	27.9	16.5	22.9	27.9	20.3	25.4	30.5	
										-	-	-	11.4	14.0	20.3	15.2	20.3	25.4	17.8	22.9	27.9	16.5	22.9	30.5	20.3	25.4	30.5	
SUVM67	Fluid Cap VMF2850 + Air Cap VMA67255-60	0.7	12.5	61	0.2	8	0.7	0.2	5.1	7.6	12.7	17.8	22.9	35.6	22.9	30.5	30.5	22.9	25.4	30.5	-	-	-	-	-			
									6.4	8.9	11.4	15.2	17.8	22.9	38.1	30.5	38.1	53.3	38.1	45.7	48.3	-	-	-	-	-		
									-	-	-	-	-	-	-	25.4	30.5	40.6	35.6	45.7	58.4	38.1	48.3	58.4	-	-	-	
		1	15	76	0.3	10.5	1.5	0.7	0.2	6.4	7.6	11.4	15.2	17.8	22.9	19.1	22.9	27.9	20.3	25.4	33	14.0	16.5	20.3	20.3	22.9	30.5	
										-	-	-	15.2	20.3	27.9	22.9	27.9	38.1	30.5	38.1	48.3	27.9	30.5	35.6	27.9	30.5	30.5	
										-	-	-	17.8	22.9	30.5	25.4	30.5	43.2	33	43.2	50.8	35.6	43.2	50.8	43.2	50.8	58.4	
		1.5	17.5	93	0.7	15	2	0.7	0.2	6.4	7.6	11.4	12.7	15.2	20.3	15.2	20.3	22.9	20.3	25.4	33	12.7	14.0	16.5	17.8	20.3	25.4	
										-	-	-	12.7	17.8	25.4	20.3	27.9	38.1	27.9	35.6	48.3	22.9	27.9	30.5	22.9	25.4	30.5	
										-	-	-	-	-	20.3	27.9	35.6	27.9	35.6	48.3	30.5	40.6	48.3	40.6	50.8	55.9		
		2	23	125	1	18	3	0.7	0.2	6.4	8.9	12.7	10.2	12.7	19.1	12.7	17.8	25.4	20.3	22.9	27.9	14.0	16.5	20.3	17.8	22.9	27.9	
										5.1	7.6	11.4	11.4	14.0	20.3	17.8	20.3	27.9	22.9	30.5	40.6	22.9	25.4	29.2	27.9	33	38.1	
										-	-	-	11.4	15.2	22.9	17.8	22.9	34.3	25.4	30.5	40.6	25.4	31.8	40.6	33	45.7	53.3	
		3	29	156	1.5	21	4	0.7	0.2	6.4	8.9	14.0	10.2	11.4	17.8	12.7	15.2	20.3	17.8	22.9	27.9	14.0	16.5	19.1	17.8	22.9	27.9	
										5.1	7.6	11.4	10.2	14.0	20.3	15.2	20.3	25.4	20.3	27.9	35.6	22.9	27.9	38.1	25.4	35.6	40.6	
										-	-	-	10.2	14.0	20.3	15.2	20.3	25.4	20.3	27.9	35.6	22.9	27.9	38.1	25.4	35.6	40.6	
		SUVM113A	Fluid Cap VMF3578 + Air Cap VMA113289-60	0.7	44	100	0.2	13.5	0.7	0.2	-	-	-	20.3	26.7	35.6	25.4	33	43.2	20.3	25.4	33	-	-	-	-	-	
											0.4	-	-	25.4	30.5	40.6	30.5	35.6	45.7	-	-	-	-	-	-	-	-	
											0.7	-	-	30.5	35.6	41.9	30.5	16.5	55.9	-	-	-	-	-	-	-	-	-
1	55			126	0.3	17.5	1.5	0.7	0.2	3.8	5.1	7.6	12.7	17.8	25.4	20.3	27.9	35.6	21.6	30.5	35.6	17.8	21.6	27.9	14.0	17.8	22.9	
										-	-	-	17.8	22.9	30.5	22.9	30.5	38.1	-	-	-	-	-	-	-	-		
										-	-	-	17.8	22.9	30.5	26.7	34.3	41.9	-	-	-	-	-	-	-	-	-	
1.5	67			151	0.7	25	2	0.7	0.2	5.1	6.4	8.9	10.2	12.7	17.8	15.2	20.3	27.9	20.3	27.9	35.6	20.3	26.7	33	19.1	22.9	27.9	
										-	-	-	12.7	17.8	25.4	16.5	25.4	33	22.9	30.5	39.4	22.9	27.9	30.5	-	-	-	
										-	-	-	11.4	15.2	20.3	16.5	25.4	33	25.4	35.6	40.6	-	-	-	-	-	-	
2	90			203	1	30	3	0.7	0.2	5.1	6.4	10.2	10.2	12.7	15.2	14.0	19.1	27.9	20.3	26.7	35.6	20.3	25.4	33	19.1	21.6	30.5	
										6.4	8.9	14.0	10.2	12.7	19.1	15.2	20.3	25.4	22.9	29.2	40.6	20.3	27.9	35.6	20.3	27.9	35.6	
										5.1	7.6	10.2	11.4	15.2	21.6	16.5	22.9	30.5	25.4	35.6	47	25.4	34.3	45.7	21.6	26.7	36.8	
3	113			253	1.5	35	4	0.7	0.2	5.1	6.4	7.6	5.1	10.2	12.7	12.7	16.5	20.3	20.3	25.4	30.5	19.1	24.1	35.6	19.1	24.1	30.5	
										6.4	8.9	11.4	10.2	11.4	15.2	14.0	17.8	24.1	20.3	25.4	33	25.4	30.5	38.1	22.9	30.5	38.1	
										6.4	7.6	12.7	10.2	11.4	19.1	14.0	19.1	24.1	21.6	27.9	25.4	25.4	31.8	45.7	22.9	30.5	38.1	

*At the stated pressure in bar.

Anti-bearding set-ups are available to reduce nozzle build-up and maintenance time for select external mix air atomizing nozzles. For more information, call 1.630.665.5000.



**PERFORMANCE DATA:
VMAU PRESSURE SPRAY SET-UPS | EXTERNAL MIX | VARIABLE SPRAY**

Spray Set-up No.	Spray Set-up Consists of Fluid and Air Cap Combination	Air Capacity*			Liquid Capacity*		Spray Coverage (cm) at Indicated Distance from Nozzle																				
		Press.	Capacity		Press.	Cap. l/h	Atom. Air Press.	Water Press.	Fan Air Pressure																		
			Atomizing Air l/min	Fan Air l/min					0			0.3			0.7			1.5			2			3			
A	B	C	A	B	C	A	B	C	A	B	C	A	B	C	A	B	C	A	B	C							
SUVM113	Fluid Cap VMF4078 + Air Cap VMA113289-60	0.7	44	100	0.2	18	0.7	0.2	5.1	6.4	10.2	17.8	19.1	43.2	27.9	38.1	45.7	25.4	34.3	38.1	-	-	-	-	-	-	
		1	55	126					0.4	-	-	-	20.3	29.2	43.2	30.5	43.2	55.9	-	-	-	-	-	-	-	-	-
		1.5	67	151	0.3	24	1.5	0.2	5.1	7.6	12.7	16.5	22.9	27.9	22.9	33	45.7	25.4	33	41.9	-	-	-	-	-	-	
		2	90	203					0.4	5.1	10.2	12.7	17.8	22.9	30.5	24.1	30.5	43.2	35.6	38.1	47	-	-	-	-	-	-
		3	113	253	0.7	34	2	0.2	5.1	6.4	10.2	12.7	17.8	27.9	17.8	27.9	34.3	22.9	30.5	43.2	20.3	27.9	33	-	-	-	-
		3.5	134	300					0.4	3.8	6.4	7.6	12.7	19.1	25.4	20.3	25.4	36.8	27.9	34.3	40.6	25.4	30.5	39.4	19.1	25.4	35.6
		4	156	348	1	42	3	0.2	3.8	6.4	11.4	10.2	15.2	20.3	16.5	21.6	30.5	22.9	30.5	40.6	21.6	29.2	38.1	21.6	27.9	36.8	
		5	179	396					0.4	3.8	6.4	10.2	11.4	15.2	20.3	17.8	22.9	31.9	25.4	33	43.2	26.7	30.5	40.6	21.6	27.9	38.1
		5.5	198	439	1.5	48	4	0.2	5.1	7.6	10.2	8.9	12.7	17.8	15.2	19.1	25.4	20.3	27.9	35.6	22.9	27.9	38.1	22.9	26.7	35.6	
		6	219	487					0.4	5.1	7.6	10.2	12.7	19.1	15.2	20.3	26.7	30.5	22.9	31.8	39.4	22.9	31.8	45.7	24.1	29.2	41.9
										5.1	7.6	10.2	8.9	12.7	20.3	15.2	20.3	33	21.6	29.2	41.9	24.1	33	40.6	24.1	31.8	41.9

Spray Set-up No.	Spray Set-up Consists of Fluid and Air Cap Combination	Air Capacity*			Liquid Capacity*		Atom. Air Press.	Water Press.	Spray Coverage (cm) at Indicated Distance from Nozzle																			
		Press.	Capacity		Press.	Cap. l/h			Fan Air Pressure																			
			Atomizing Air l/min	Fan Air l/min					0			0.3			0.7			1			1.5			2				
A	B	C	A	B	C	A	B	C	A	B	C	A	B	C	A	B	C	A	B	C								
SUVM128	Fluid Cap VMF60100 + Air Cap VMA1282100-60	0.7	46	110	0.2	38	0.7	0.1	-	-	-	25.4	34.3	53.3	33	40.6	55.9	30.5	40.6	53.3	-	-	-	-	-			
		1	56	139					0.2	-	-	-	24.1	31.8	48.3	35.6	45.7	61	31.8	43.2	61	30.5	40.6	50.8	-	-	-	
		1.5	67	168	0.3	49	1.5	0.1	-	-	-	15.2	21.6	33	20.3	27.9	44.5	24.1	33	44.5	20.3	30.5	35.6	20.3	26.7	30.5		
		2	88	229					0.2	-	-	-	17.8	25.4	36.8	22.9	31.8	45.7	25.4	35.6	50.8	24.1	33	47	25.4	33	40.6	
		3	110	289	0.7	70	2	0.1	3.8	7.6	11.4	12.7	17.8	24.1	17.8	25.4	35.6	22.9	27.9	35.6	25.4	35.6	43.2	24.1	30.5	40.6		
		3.5	132	348					0.2	5.1	7.6	12.7	14.0	20.3	34.3	20.3	27.9	38.1	24.1	33	48.3	25.4	35.6	48.3	25.4	33	41.9	
		4	153	405	1	86	3	0.1	5.1	7.6	14.0	12.7	15.2	22.9	15.2	22.9	33	20.3	27.9	39.4	21.6	29.2	36.8	22.9	33	43.2		
		5	176	462					0.2	6.4	7.6	14.0	12.7	17.8	25.4	16.5	24.1	35.6	20.3	30.5	45.7	25.4	33	48.3	25.4	34.3	48.3	
		5.5	198	515	1.5	99	4	0.1	5.1	7.6	10.2	12.7	17.8	25.4	15.2	25.4	38.1	22.9	33	45.7	25.4	35.6	50.8	27.9	36.8	55.9		
		6	221	566					0.2	7.6	10.2	15.2	11.4	15.2	22.9	14.0	20.3	30.5	16.5	25.4	35.6	21.6	22.9	36.8	21.6	30.5	40.6	
										6.4	8.9	10.2	10.2	14.0	19.1	12.7	17.8	27.9	16.5	22.9	34.3	20.3	27.9	43.2	22.9	30.5	45.7	
										-	-	-	26.7	33	53.3	33	43.2	66	33	48.3	68.6	33	45.7	61	25.4	38.1	54.6	
										-	-	-	-	-	-	33	44.5	66	30.5	53.3	73.7	33	49.5	76.2	38.1	58.4	76.2	
										-	-	-	-	-	35.6	48.3	67.3	41.9	53.3	71.1	40.6	61	86.4	-	-	-		
										0.1	-	-	-	15.2	20.3	33	24.1	33	47	25.4	38.1	55.9	20.3	30.5	35.6	22.9	35.6	53.3
										0.2	-	-	-	17.8	24.1	38.1	25.4	35.6	50.8	27.9	39.4	52.1	24.1	33	47	31.8	33	63.5
										0.4	-	-	-	-	-	-	25.4	34.3	53.3	30.5	44.5	66	27.9	44.5	66	38.1	53.3	81.3
										0.1	6.4	7.6	10.2	15.2	20.3	30.5	19.1	27.9	43.2	25.4	34.3	49.5	25.4	35.6	43.2	22.9	35.6	49.5
								0.2	-	-	-	12.7	17.8	26.7	20.3	30.5	48.3	26.7	34.3	50.8	25.4	35.6	48.3	30.5	41.9	57.2		
								0.4	-	-	-	-	-	-	21.6	27.9	40.6	27.9	35.6	50.8	25.4	36.8	54.6	30.5	40.6	61		
								0.1	5.1	7.6	7.6	10.2	12.7	15.2	20.3	30.5	20.3	30.5	41.9	21.6	29.2	36.8	22.9	33	45.7			
								0.2	-	-	-	12.7	19.1	25.4	17.8	25.4	38.1	21.6	31.8	45.7	25.4	33	48.3	25.4	38.1	53.3		
								0.4	-	-	-	-	25.4	17.8	25.4	35.6	21.6	30.5	43.2	25.4	35.6	50.8	27.9	40.6	58.4			
								0.1	3.8	5.1	7.6	7.6	12.7	16.5	16.5	19.1	26.7	20.3	25.4	35.6	21.6	22.9	36.9	20.3	30.5	45.7		
								0.2	5.1	7.6	12.7	12.7	12.7	19.1	15.2	21.6	30.5	17.8	25.4	36.8	22.9	27.9	40.6	25.4	33	47		
								0.4	-	-	-	-	-	-	15.2	17.8	30.5	17.8	25.4	35.6	20.3	27.9	43.2	25.4	35.6	48.3		

Anti-bearding set-ups are available to reduce nozzle build-up and maintenance time for select external mix air atomizing nozzles. For more information, call 1.630.665.5000.





**PERFORMANCE DATA:
PRESSURE SPRAY SET-UPS | EXTERNAL MIX | VARIABLE SPRAY**

SUV spray set-ups provide uniform spray distribution even when spraying viscous liquids.

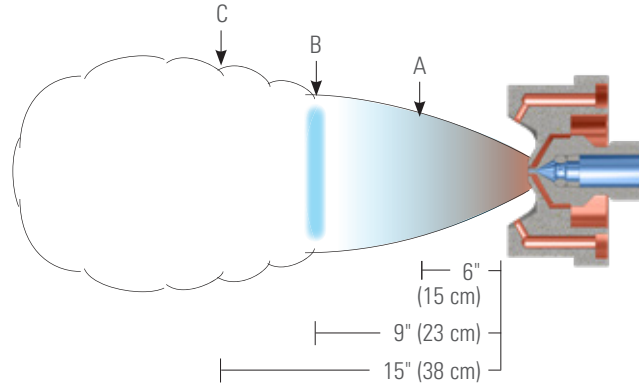
Liquid is supplied to this spray set-up under pressure.

The liquid and compressed air or gas are mixed externally to produce a completely atomized spray.

For external mix spray set-ups, atomization can be controlled by varying the air pressure without changing liquid flow rate.

Independent control of fan air provides the ability to adjust the spray pattern without changing liquid flow rate.

Spray coverage dimensions are provided in the table below at various distances from the nozzle.



Spray Set-up No.	Spray Set-up Consists of Fluid and Air Cap Combination	Air Capacity*†			Liquid Capacity*†		Spray Coverage (cm) at Indicated Distance from Nozzle																												
		Press.	Atomizing Air l/min	Fan Air l/min	Press.	Cap. l/h	Atom. Air Press.	Water Press.	Fan Air Pressure																										
									0"†			0.3			0.7			1.5																	
									A	B	C	A	B	C	A	B	C	A	B	C															
SUV67B	Fluid Cap VF1650 + Air Cap VA67255-60	.69	12.5	61	.21	2.8	1.5	.20	5.1	7.6	11.4	10.2	12.7	15.2	15.2	17.8	20	17.8	23	28															
		1.0	15.0	76	.34	3.6		.70	5.1	6.4	10.2	12.7	17.8	25	17.8	22	30	20	25	36															
		1.4	17.6	93				1.5	5.1	7.6	10.2	15.2	20	30	20	28	36	25	30	43															
		2.1	23	125				.69	5.1	2	.20	5.1	7.6	11.4	7.6	10.2	12.7	12.7	15.2	17.8	17.8	23	29												
		2.8	29	156							.70	5.1	6.4	11.4	10.2	11.4	15.2	20	17.8	23	23	30	41												
		3.4	36	187							1.0	6.3	3	.20	6.4	8.9	15.2	8.9	11.4	17.8	12.7	15.2	20	17.8	23	28									
		4.1	42	215										.70	5.1	7.6	12.7	10.2	12.7	19.1	15.2	17.8	25	19.1	23	23									
		4.8	48	244										1.4	7.3	6	1.5	5.1	7.6	11.4	10.2	14.0	20	15.2	20	30	23	28	36						
		5.5	55	272													.20	5.1	7.6	12.7	7.6	10.2	14.0	10.2	12.7	15.2	15.2	17.8	23						
		6.2	61	301													.70	6.4	7.6	12.7	7.6	10.2	15.2	10.2	12.7	17.8	15.2	20	28						
		SUV67A	Fluid Cap VF2050 + Air Cap VA67255-60	.69													12.5	61	.21	4.2	1.5	.20	5.1	7.6	11.4	12.7	15.2	19.1	15.2	17.8	20	19.1	24	30	
				1.0													15.0	76	.34	5.5		2	.70	5.1	7.6	11.4	10.2	12.7	16.5	14.0	17.8	20	16.5	22	27
1.4	17.6			93			.20										5.1	7.6					11.4	10.2	12.7	16.5	14.0	17.8	20	16.5	22	27			
2.1	23			125	.69	7.8	3										.70	5.1					7.6	12.7	10.2	15.2	20	17.8	23	30	23	30	41		
2.8	29			156													1.5	5.1					7.6	10.2	12.7	15.2	23	17.8	25	33	25	33	46		
3.4	36			187				1.0	9.5	6							.20	6.4					8.9	14.0	8.9	12.7	17.8	12.7	16.5	23	19.1	23	28		
4.1	42			215													.70	5.1					7.6	12.7	10.2	14.0	20	16.5	19.1	16.5	20	25	38		
4.8	48			244							1.4	11.1	6				1.5	5.1					7.6	11.4	10.2	15.2	22	16.5	22	32	24	30	39		
5.5	55			272													.20	6.4					8.9	12.7	7.6	11.4	15.2	10.2	14.0	16.5	17.8	23	30		
6.2	61			301										.70	6.4	8.9	12.7	8.9					11.4	16.5	11.4	15.2	20	20	25	36					
SUV67	Fluid Cap VF2850 + Air Cap VA67255-60			.69										12.5	61	.21	8.1	1.5					.20	6.4	7.6	11.4	15.2	17.8	23	19.1	23	28	20	25	33
				1.0										15.0	76	.34	10.5						2	.70	5.1	7.6	12.7	15.2	20	28	23	28	38	30	38
		1.4	17.6	93										1.5	5.1						6.4			10.2	17.8	23	30	25	30	43	33	43	51		
		2.1	23	125										.69	15.0				3	.20	6.4	7.6		11.4	12.7	15.2	20	15.2	20	23	20	25	33		
		2.8	29	156																.70	5.1	7.6		12.7	12.7	17.8	25	20	28	38	28	36	48		
		3.4	36	187	1.0	18.4	6													1.5	5.1	6.4		10.2	12.7	17.8	25	20	28	36	28	36	48		
		4.1	42	215																.20	6.4	8.9		12.7	10.2	12.7	19.1	12.7	17.8	25	20	23	28		
		4.8	48	244				1.4	21	6										.70	5.1	7.6		12.7	11.4	14.0	20	17.8	20	28	23	30	41		
		5.5	55	272																1.5	5.1	7.6		12.7	11.4	15.2	23	17.8	23	34	25	33	43		
		6.2	61	301							.20	6.4	8.9							12.7	8.9	12.7		15.2	11.4	15.2	17.8	15.2	20	28					
																					.70	6.4		8.9	12.7	10.2	14.0	17.8	12.7	17.8	23	17.8	23	33	
																					1.5	6.4		7.6	11.4	8.9	12.7	16.5	12.7	17.8	23	17.8	25	36	

*At the stated pressure in bar

Anti-bearding set-ups are available to reduce nozzle build-up and maintenance time for select external mix air atomizing nozzles. For more information, call 1.630.665.5000.



**PERFORMANCE DATA:
PRESSURE SPRAY SET-UPS | EXTERNAL MIX | VARIABLE SPRAY**

Spray Set-up No.	Spray Set-up Consists of Fluid and Air Cap Combination	Air Capacity*†			Liquid Capacity*†		Spray Coverage (cm) at Indicated Distance from Nozzle																
		Press.	Atomizing Air l/min	Fan Air l/min	Press.	Cap. l/h	Atom. Air Press.	Water Press.	Fan Air Pressure														
									0"†			0.3			0.7			1.5					
									A	B	C	A	B	C	A	B	C	A	B	C			
SUV113A	Fluid Cap VF3578 + Air Cap VA113293-60	.69	44	100	.21	13.6	1.5	.20	6.4	7.6	12.7	8.9	11.4	15.2	15.2	17.8	23	25	33	41			
		1.0	55	126	.34	17.6	2	.70	6.4	8.9	12.7	8.9	11.4	17.8	15.2	23	30	28	38	51			
		1.4	67	151				1.5	5.1	7.6	12.7	8.9	11.4	20	15.2	20	28	28	38	53			
		2.1	90	203				.20	6.4	7.6	12.7	7.6	10.2	14.0	10.2	12.7	17.8	17.8	23	30			
		2.8	113	253	.69	25	3	.70	6.4	8.9	12.7	8.9	11.4	15.2	12.7	17.8	23	20	28	38			
		3.4	134	300				1.5	6.4	8.9	14.0	7.6	12.7	17.8	10.2	15.2	23	20	30	41			
		4.1	156	348				.20	6.4	7.6	12.7	7.6	10.2	15.2	8.9	11.4	16.5	15.2	20	25			
		4.8	179	396	1.0	30	6	.70	6.4	8.9	12.7	8.9	10.2	15.2	10.2	12.7	16.5	15.2	23	30			
		5.5	198	439				1.5	6.4	8.9	12.7	8.9	11.4	16.5	10.2	14.0	20	17.8	25	36			
		6.2	219	487				.20	6.4	8.9	12.7	6.4	8.9	12.7	6.4	8.9	12.7	10.2	12.7	15.2			
		SUV113	Fluid Cap VF4078 + Air Cap VA113293-60	.69	44	100	.21	18.4	1.5	.20	6.4	8.9	12.7	7.6	11.4	15.2	15.2	20	25	25	36	46	
				1.0	55	126	.34	24	2	.70	6.4	8.9	12.7	10.2	12.7	17.8	17.8	23	30	28	38	53	
				1.4	67	151				1.5	5.1	7.6	12.7	8.9	11.4	16.5	15.2	23	30	28	38	48	
				2.1	90	203				.20	6.4	8.9	15.2	7.6	10.2	15.2	10.2	15.2	20	20	28	36	
				2.8	113	253	.69	34	3	.70	6.4	8.9	12.7	7.6	10.2	15.2	11.4	15.2	20	23	28	43	
3.4	134			300	1.5	5.1				7.6	12.7	7.6	11.4	15.2	11.4	15.2	23	23	30	43			
4.1	156			348	.20	6.4				8.9	15.2	7.6	10.2	16.5	8.9	12.7	17.8	16.5	23	28			
4.8	179			396	1.0	42	6	.70	6.4	8.9	14.0	7.6	11.4	17.8	10.2	15.2	20	17.8	25	33			
5.5	198			439				1.5	6.4	8.9	14.0	7.6	10.2	17.8	8.9	12.7	20	17.8	25	33			
6.2	219			487				.20	6.4	8.9	15.2	6.4	8.9	15.2	6.4	10.2	15.2	10.2	12.7	19.1			
SUV128	Fluid Cap VF60100 + Air Cap VA1282125-60			.69	46	110	.21	38	1.5	.20	7.6	10.2	12.7	7.6	10.2	15.2	12.7	17.8	23	23	30	41	
				1.0	56	139	.34	49	2	.70	—	—	—	7.6	12.7	15.2	12.7	17.8	25	20	30	41	
				1.4	67	168				1.5	—	—	—	—	—	—	—	—	—	—	—	—	
				2.1	88	229				.20	7.6	10.2	12.7	8.9	11.4	16.5	10.2	15.2	20	15.2	20	28	
				2.8	110	289	.69	70	3	.70	6.4	8.9	12.7	7.6	10.2	14.0	10.2	15.2	22	17.8	23	38	
		3.4	132	348	1.5	—				—	—	—	—	—	—	—	—	—	—	—			
		4.1	153	405	.20	7.6				10.2	14.0	7.6	11.4	15.2	8.9	12.7	17.8	15.2	20	28			
		4.8	176	462	1.0	86	6	.70	6.4	8.9	12.7	8.9	11.4	15.2	10.2	12.7	17.8	15.2	20	27			
		5.5	198	515				1.5	6.4	8.9	12.7	7.6	10.2	16.5	7.6	12.7	20	15.2	20	28			
		6.2	221	566				.20	7.6	10.2	15.2	7.6	10.2	15.2	7.6	10.2	15.2	10.2	12.7	17.8			
		SUV152	Fluid Cap VF80125 + Air Cap VA1522125-60	.69	50	109	.21	69	1.5	.20	7.6	10.2	12.7	11.4	15.2	22	15.2	20	28	25	30	43	
				1.0	62	136	.34	89	2	.70	—	—	—	—	—	—	—	—	—	—	25	36	43
				1.4	75	165				1.5	—	—	—	—	—	—	—	—	—	—	—	—	
				2.1	101	221				.20	7.6	10.2	12.7	8.9	12.7	17.8	12.7	16.5	23	20	28	38	
				2.8	125	277	.69	126	3	.70	—	—	—	—	—	—	—	—	—	—	—	—	
3.4	150			331	.20	7.6				10.2	14.0	10.2	12.7	17.8	12.7	15.2	23	17.8	23	30			
4.1	174			385	.70	7.6				8.9	12.7	8.9	11.4	15.2	11.4	14.0	19.1	15.2	23	30			
4.8	198			436	1.0	155	6	1.5	—	—	—	—	—	—	—	—	—	—	—	—			
5.5	221			487				.20	7.6	10.2	15.2	8.9	11.4	16.5	10.2	12.7	17.8	12.7	15.2	23			
6.2	244			532				.70	8.9	10.2	14.0	8.9	11.4	16.5	8.9	12.7	19.1	12.7	15.2	23			
SUV152	Fluid Cap VF80125 + Air Cap VA1522125-60			.69	50	109	.21	179	6	1.5	6.4	8.9	11.4	7.6	10.2	15.2	8.9	11.4	17.8	10.2	15.2	20	

*At the stated pressure in bar

† Since the pressures of the air and liquid lines are independently controlled, any combination of these air and liquid pressures can be used. The total air capacity is the sum of the atomizing air l/min and the fan air l/min. For instance, for atomizing air at 1 bar and fan air at 2.1 bar, the total is equal to 15 l/min + 125 l/min for a total of 140 l/min.

†† At 0 bar fan air pressure the spray forms a round spray pattern. Request Data Sheets 37459M-V113A, 37459M-V113, 37459M-V128 and 37459M-V152.

Spray set-ups are interchangeable, but each set-up uses a different needle size.

Anti-bearding set-ups are available to reduce nozzle build-up and maintenance time for select external mix air atomizing nozzles. For more information, call 1.630.665.5000.





**PERFORMANCE DATA:
PRESSURE SPRAY SET-UPS | EXTERNAL MIX | FLAT SPRAY**

SUVXE spray set-ups provide uniform spray distribution even when spraying viscous liquids.

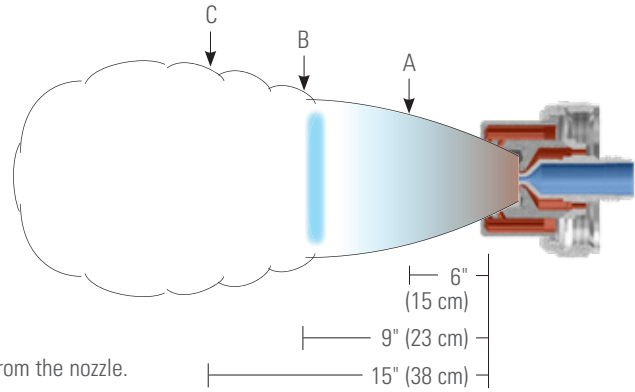
Liquid is supplied to this spray set-up under pressure.

The liquid and compressed air or gas are mixed externally to produce a completely atomized spray.

For external mix spray set-ups, atomization can be controlled by varying the air pressure without changing liquid flow rate.

Independent control of fan air provides the ability to adjust the spray pattern without changing liquid flow rate.

Spray coverage dimensions are provided in the table below at various distances from the nozzle.



Spray Setup No.	Spray Set-up Consists of Fluid and Air Cap Combination	Liquid			Total Air Flow (lpm) and Spray Width (cm) at 15 cm from Nozzle**																	
		Press.*	Flow Rate		Atom. Air Press.*	Fan Air Pressure*																
			lpm	lph		0.3		0.7		1.0		1.4		1.7		2.0		2.8				
						Flow	Width	Flow	Width	Flow	Width	Flow	Width	Flow	Width	Flow	Width	Flow	Width			
SUVXE1A	PFX16 + PAVX140A	0.2	0.048	2.88	0.3	117	42.9															
					0.7	125	43.8															
					1.0	130	41.7															
					1.4	135	38.3	188	42.7													
		0.3	0.058	3.48	0.7	125	40.6	178	44.3													
					1.0	130	34.8	183	43.9													
					1.4	135	33.0	188	42.6													
					1.7	138	28.8	192	38.5	222	42.4											
		0.7	0.089	5.34	1.0	130	33.3	183	38.4	213	43.0											
					1.4	135	31.9	188	37.9	218	42.2											
					1.7	138	28.6	192	34.6	222	40.7	255	44.8									
					2.0	144	25.1	197	33.2	227	38.1	261	42.9									
		1	0.11	6.6	1.4	135	34.7	188	42.6	218	43.2											
					1.7	138	31.3	192	38.4	222	42.1	255	44.4									
					2.0	144	27.8	197	34.5	227	38.7	261	44.0									
					2.8	156	24.1	209	29.1	239	36.7	273	39.0	295	43.8							
1.4	0.13	7.8	1.7	138	30.0	192	34.5	222	39.5	255	42.7											
			2.0	144	29.4	197	34.0	227	38.7	261	43.4											
			2.8	156	23.4	209	31.5	239	37.1	273	43.1	295	48.0									
			0.3	135	39.4																	
SUVXE2C	PFX16 + PAVX156A	0.2	0.048	2.88	0.7	154	32.7	207	34.7													
					1.0	164	23.3	217	31.8	247	37.0											
					1.4	175	22.0	229	25.7	259	33.0											
					0.7	154	33.0	207	40.9													
		0.3	0.058	3.48	1.0	164	27.6	217	34.0	247	41.4											
					1.4	175	20.1	229	29.8	259	33.9	293	41.0									
					1.7	183	18.7	236	25.9	266	30.9	300	38.9									
					1.0	164	27.0	217	33.5	247	38.7	281	42.4									
		0.7	0.089	5.34	1.4	175	21.7	229	28.8	259	33.7	293	39.7	315	45.8							
					1.7	183	18.3	236	27.6	266	32.0	300	38.6	322	43.1							
					2.0	195	14.0	249	20.3	279	27.0	313	35.5	335	36.5	371	40.6					
					0.3	135	39.4															

*At the stated pressure in bar

**Data collected with water at 70°F. Blank cells are not recommended.



**PERFORMANCE DATA:
PRESSURE SPRAY SET-UPS | EXTERNAL MIX | FLAT SPRAY**

Spray Setup No.	Spray Set-up Consists of Fluid and Air Cap Combination	Liquid			Total Air Flow (lpm) and Spray Width (cm) at 15 cm from Nozzle**															
		Press.*	Flow Rate		Atom. Air Press.*	Fan Air Pressure*														
			lpm	lph		0.3		0.7		1.0		1.4		1.7		2.0		2.8		
						Flow	Width	Flow	Width	Flow	Width	Flow	Width	Flow	Width	Flow	Width	Flow	Width	
SUVXE2C	PFX16 + PAVX156A	1	0.11	6.6	1.4	175	22.7	229	28.7	259	34.0	293	37.6	315	39.6					
					1.7	183	17.0	236	22.7	266	32.7	300	37.4	322	39.5	359	41.5			
					2.0	195	15.3	249	22.2	279	27.2	313	34.3	335	38.5	371	40.6			
					2.8	221	12.9	274	17.0	304	25.7	338	31.5	360	37.0	396	39.7	470	42.0	
		1.4	0.13	7.8	1.7	183	21.4	236	27.8	266	30.2	300	36.5	322	41.4	359	46.3			
					2.0	195	14.4	249	21.3	279	29.1	313	35.7	335	41.0	371	44.8			
					2.8	221	13.9	274	19.2	304	25.8	338	33.6	360	37.6	396	38.5	470	42.2	
SUVXE1	PFX20 + PAVX140A	0.2	0.074	4.44	0.3	117	41.9													
					0.7	125	40.4													
					1.0	130	39.9													
					1.4	135	37.9	188	44.5											
		0.3	0.091	5.46	0.7	125	39.8	178	46.6											
					1.0	130	36.2	183	43.8											
					1.4	135	35.5	188	42.5											
					1.7	138	32.8	192	41.2											
		0.7	0.14	8.4	1.0	130	38.9	183	44.8											
					1.4	135	37.5	188	42.6											
					1.7	138	34.3	192	40.4	222	45.5									
					2.0	144	29.1	197	34.9	227	41.0	261	46.8							
		1	0.17	10.2	1.4	135	37.5	188	42.5	218	45.2									
					1.7	138	34.7	192	39.4	222	42.7									
					2.0	144	29.3	197	37.4	227	41.6	261	46.5							
					2.8	156	22.7	209	32.3	239	39.2	273	40.0	295	42.3					
		1.4	0.20	12	1.7	138	33.1	192	36.7	222	43.9	255	46.5							
					2.0	144	31.4	197	36.5	227	39.1	261	42.7	283	44.9					
					2.8	156	23.8	209	31.5	239	37.8	273	42.2	295	44.5	331	45.4			
		SUVXE2B	PFX20 + PAVX156A	0.2	0.074	4.44	0.3	135	38.9											
							0.7	154	39.1											
							1.0	164	30.7											
							1.4	175	22.7	229	30.0									
0.3	0.091			5.46	0.7	154	35.3	207	42.4											
					1.0	164	30.1	217	39.2											
					1.4	175	23.0	229	33.7	259	35.9									
					1.7	183	18.7	236	27.8	266	33.1									
0.7	0.14			8.4	1.0	164	32.0	217	36.7	247	41.6									
					1.4	175	25.9	229	28.6	259	39.4									
					1.7	183	21.7	236	26.8	266	31.3	300	38.4	322	43.6					
					2.0	195	17.7	249	22.8	279	31.5	313	34.8	335	40.1					
1	0.17			10.2	1.4	175	21.8	229	30.5	259	41.6	293	46.0							
					1.7	183	24.4	236	29.7	266	35.6	300	40.5	322	43.3					
					2.0	195	17.2	249	22.2	279	30.1	313	37.7	335	39.8	371	45.3			
					2.8	221	15.0	274	20.4	304	26.6	338	32.4	360	38.5	396	41.6			
1.4	0.20			12	1.7	183	21.0	236	25.7	266	31.7	300	37.5	322	42.5					
					2.0	195	16.2	249	23.4	279	30.0	313	36.4	335	37.9	371	42.5			
					2.8	221	13.3	274	14.4	304	28.7	338	34.7	360	35.6	396	41.5	470	42.7	

*At the stated pressure in bar

**Data collected with water at 70°F. Blank cells are not recommended.



**PERFORMANCE DATA:
PRESSURE SPRAY SET-UPS | EXTERNAL MIX | FLAT SPRAY**

Spray Setup No.	Spray Set-up Consists of Fluid and Air Cap Combination	Liquid			Total Air Flow (lpm) and Spray Width (cm) at 15 cm from Nozzle**																	
		Press.*	Flow Rate		Atom. Air Press.*	Fan Air Pressure*																
			lpm	lph		0.3		0.7		1.0		1.4		1.7		2.0		2.8				
						Flow	Width	Flow	Width	Flow	Width	Flow	Width	Flow	Width	Flow	Width	Flow	Width			
SUVXE2A	PFX28 + PAVX156A	0.2	0.15	9	0.3	135	57.1															
					0.7	154	45.3															
					1.0	164	40.5	217	42.5													
					1.4	175	30.1	229	38.0	259	46.5											
		0.3	0.18	10.8	0.7	154	40.7	207	46.3													
					1.0	164	35.7	217	42.7													
					1.4	175	31.8	229	39.9	259	46.1											
					1.7	183	26.8	236	34.5	266	44.8											
		0.7	0.27	16.2	1.0	164	37.6	217	42.4													
					1.4	175	31.8	229	39.9	259	46.1											
					1.7	183	27.9	236	31.1	266	39.8	300	46.4									
					2.0	195	22.7	249	29.0	279	38.1	313	42.1									
		1	0.32	19.2	1.4	175	32.7	229	38.9	259	46.6											
					1.7	183	27.4	236	36.9	266	40.7											
					2.0	195	24.8	249	29.6	279	34.5	313	44.2									
					2.8	221	19.4	274	27.2	304	32.7	338	36.5	360	42.5							
1.4	0.38	22.8	1.7	183	24.8	236	32.7	266	36.9	300	46.3											
			2.0	195	24.0	249	27.8	279	36.1	313	41.2											
			2.8	221	19.5	274	26.4	304	33.0	338	37.5	360	45.3									
SUVXE3B	PFX28 + PAVX180A	0.2	0.15	9	0.3	167	56.1															
					0.7	202	39.5	256	47.3													
					1.0	222	36.9	275	41.5													
					1.4	244	28.6	298	29.9	328	39.4	361	46.5									
		0.3	0.18	10.8	0.7	202	38.4	256	42.8													
					1.0	222	33.7	275	39.1	306	46.1											
					1.4	244	25.5	298	32.7	328	39.9	361	45.6									
					1.7	259	20.7	312	28.7	342	35.9	376	42.0									
		0.7	0.27	16.2	1.0	222	29.9	275	36.3	306	42.6											
					1.4	244	26.6	298	33.8	328	41.0	361	48.5									
					1.7	259	23.7	312	28.8	342	36.5	376	41.9									
					2.0	283	21.2	336	24.6	366	33.9	400	39.8	422	42.4							
		1	0.32	19.2	1.4	244	24.2	298	31.6	328	38.9	361	44.5									
					1.7	259	21.7	312	31.5	342	35.8	376	42.3									
					2.0	283	20.0	336	25.4	366	31.1	400	40.6	422	48.1							
					2.8	331	13.2	385	19.0	415	26.8	449	32.5	471	39.7	507	42.6					
1.4	0.38	22.8	1.7	259	22.8	312	29.8	342	36.2	376	39.6	398	42.7									
			2.0	283	17.1	336	24.7	366	31.6	400	38.0	422	40.4									
			2.8	331	14.1	385	17.7	415	26.7	449	34.2	471	39.0	507	44.5							
SUVXE2	PFX40 + PAVX156A	0.2	0.30	18	0.3	135	53.2															
					0.7	154	47.3															
					1.0	164	43.0															
					1.4	175	37.4															
		0.3	0.36	21.6	0.7	154	45.1															
					1.0	164	41.5															
					1.4	175	33.0	229	41.2													
					1.7	183	31.5	236	34.9	266	43.9											
0.7	0.56	33.6	1.0	164	36.9	217	44.1															
			1.4	175	32.6	229	41.6															

*At the stated pressure in bar
**Data collected with water at 70°F. Blank cells are not recommended.

**PERFORMANCE DATA:
PRESSURE SPRAY SET-UPS | EXTERNAL MIX | FLAT SPRAY**

Spray Setup No.	Spray Set-up Consists of Fluid and Air Cap Combination	Liquid			Total Air Flow (lpm) and Spray Width (cm) at 15 cm from Nozzle**																				
		Press.*	Flow Rate		Atom. Air Press.*	Fan Air Pressure*																			
			lpm	lph		0.3		0.7		1.0		1.4		1.7		2.0		2.8							
						Flow	Width	Flow	Width	Flow	Width	Flow	Width	Flow	Width	Flow	Width	Flow	Width						
SUVXE2	PFX40 + PAVX156A	0.7	0.56	33.6	1.7	183	31.5	236	35.6	266	44.3														
					2.0	195	29.6	249	32.5	279	42.1														
		1	0.66	39.6	1.4	175	36.8	229	40.2	259	46.0														
					1.7	183	32.1	236	36.2	266	45.9														
					2.0	195	29.2	249	35.5	279	40.7														
					2.8	221	26.5	274	31.6	304	37.2	338	41.5												
		1.4	0.79	47.4	1.7	183	32.6	236	38.4	266	42.9														
					2.0	195	27.6	249	36.0	279	41.6														
					2.8	221	25.7	274	31.3	304	37.9	338	40.0	360	44.7										
		SUVXE3A	PFX40 + PAVX180A	0.2	0.30	18	0.3	167	59.1																
							0.7	202	51.2																
							1.0	222	42.8																
1.4	244						32.6	298	42.2																
0.3	0.36			21.6	0.7	202	49.3																		
					1.0	222	40.6																		
					1.4	244	34.5	298	43.0																
					1.7	259	29.9	312	36.6	342	42.9														
0.7	0.56			33.6	1.0	222	41.9																		
					1.4	244	35.7	298	43.3																
					1.7	259	29.9	312	35.5	342	43.2														
					2.0	283	26.0	336	30.8	366	38.4	400	44.4												
1	0.66			39.6	1.4	244	35.7	298	41.4	328	48.4														
					1.7	259	28.7	312	34.7	342	41.5														
					2.0	283	25.8	336	33.0	366	40.2	400	43.9												
					2.8	331	19.5	385	26.3	415	33.2	449	39.0	471	44.1										
1.4	0.79			47.4	1.7	259	29.7	312	35.5	342	43.5														
					2.0	283	24.7	336	30.5	366	37.7	400	42.8												
					2.8	331	20.2	385	24.8	415	29.6	449	38.0	471	43.5										
					0.3	167	63.0																		
SUVXE3	PFX60 + PAVX180A			0.2	0.67	40.2	0.7	202	51.2																
							1.0	222	43.5																
							1.4	244	36.4	298	42.0														
							0.7	202	64.0																
		0.3	0.82	49.2	1.0	222	43.9																		
					1.4	244	40.9	298	46.7																
					1.7	259	33.0	312	40.2	342	45.6														
					1.0	222	45.4																		
		0.7	1.2	72	1.4	244	40.0	298	44.7																
					1.7	259	36.4	312	41.7																
					2.0	283	31.0	336	35.2	366	42.2														
					1.4	244	37.6	298	42.5																
		1	1.5	90	1.7	259	34.2	312	37.7	342	49.0														
					2.0	283	29.2	336	35.5	366	43.6														
					2.8	331	24.4	385	29.7	415	35.7	449	41.4												
					1.7	259	35.2	312	39.4	342	46.9														
		1.4	1.8	108	2.0	283	30.6	336	35.4	366	41.1	400	48.1												
					2.8	331	20.8	385	32.4	415	36.5	449	42.4												

*At the stated pressure in bar

**Data collected with water at 70°F. Blank cells are not recommended.

**PERFORMANCE DATA:
PRESSURE SPRAY SET-UPS | EXTERNAL MIX | FLAT SPRAY**

Spray Setup No.	Spray Set-up Consists of Fluid and Air Cap Combination	Liquid			Total Air Flow (lpm) and Spray Width (cm) at 15 cm from Nozzle**																		
		Press.*	Flow Rate		Atom. Air Press.*	Fan Air Pressure*																	
			lpm	lph		0.3		0.7		1.0		1.4		1.7		2.0		2.8					
						Flow	Width	Flow	Width	Flow	Width	Flow	Width	Flow	Width	Flow	Width	Flow	Width				
SUVXE4B	PFX60 + PAVX200A	0.2	0.67	40.2	0.3	197	38.4	251	54.2														
					0.7	248	27.0	302	48.3														
					1.0	277	27.4	330	39.4														
					1.4	309	19.4	363	26.7	393	33.6												
		0.3	0.82	49.2	0.7	248	27.5	302	36.4	332	53.1												
					1.0	277	23.1	330	32.3	360	35.1												
					1.4	309	18.7	363	25.4	393	30.1	426	37.6										
					1.7	331	18.1	384	22.7	414	29.6	448	32.2										
		0.7	1.2	72	1.0	277	22.9	330	29.8	360	37.4												
					1.4	309	17.8	363	26.3	393	30.7	426	40.4										
					1.7	331	18.4	384	22.9	414	30.6	448	35.7										
					2.0	365	15.6	419	20.8	449	26.9	482	29.6	505	36.8								
		1	1.5	90	1.4	309	19.2	363	26.9	393	33.6	426	41.2										
					1.7	331	16.3	384	22.5	414	31.5	448	34.8	470	41.9								
					2.0	365	15.5	419	20.9	449	27.2	482	33.4	505	34.5								
					2.8	436	11.8	489	16.0	519	21.1	553	27.1	575	28.3	612	35.6						
		1.4	1.8	108	1.7	331	17.4	384	25.0	414	30.5	448	37.2	470	42.5								
					2.0	365	17.4	419	23.7	449	27.9	482	33.9	505	39.0	541	42.4						
					2.8	436	12.3	489	18.3	519	24.3	553	29.6	575	35.0	612	36.1	685	40.6				
SUVXE4A	PFX80 + PAVX200A	0.2	1.2	72	0.3	197	28.0	251	31.5	281	40.7												
					0.7	248	28.8	302	31.6	332	39.2												
					1.0	277	25.1	330	31.7	360	37.8												
					1.4	309	23.2	363	28.6	393	36.6												
		0.3	1.5	90	0.7	248	26.6	302	30.3	332	36.7												
					1.0	277	24.9	330	29.7	360	34.0												
					1.4	309	21.8	363	25.9	393	32.5												
					1.7	331	22.5	384	27.3	414	30.4												
		0.7	2.2	132	1.0	277	22.9	330	27.8	360	30.1	394	33.5										
					1.4	309	23.4	363	25.8	393	28.3	426	31.3										
					1.7	331	19.9	384	26.3	414	29.0	448	29.2										
					2.0	365	19.0	419	25.0	449	28.6	482	30.7										
		1	2.7	162	1.4	309	24.5	363	27.4	393	29.3	426	31.9										
					1.7	331	22.7	384	27.5	414	28.6	448	30.8										
					2.0	365	21.6	419	25.6	449	28.6	482	29.9										
					2.8	436	17.8	489	23.4	519	24.8	553	28.2										
		1.4	3.1	186	1.7	331	22.8	384	25.5	414	27.9	448	27.8	470	31.6								
					2.0	365	20.3	419	24.5	449	26.9	482	29.4	505	30.5								
					2.8	436	18.6	489	23.1	519	25.6	553	27.4	575	29.6								

*At the stated pressure in bar
**Data collected with water at 70°F. Blank cells are not recommended.

**PERFORMANCE DATA:
PRESSURE SPRAY SET-UPS | EXTERNAL MIX | FLAT SPRAY**

Spray Setup No.	Spray Set-up Consists of Fluid and Air Cap Combination	Liquid			Total Air Flow (lpm) and Spray Width (cm) at 15 cm from Nozzle**																
		Press.*	Flow Rate		Atom. Air Press.*	Fan Air Pressure*															
			lpm	lph		0.3		0.7		1.0		1.4		1.7		2.0		2.8			
						Flow	Width	Flow	Width	Flow	Width	Flow	Width	Flow	Width	Flow	Width	Flow	Width		
SUVXE4	PFX100 + PAVX200A	0.2	1.9	114	0.3	197	26.1														
					0.7	248	18.7	302	25.1												
					1.0	277	11.9	330	20.3	360	27.9										
					1.4	309	11.3	363	14.7	393	22.7										
		0.3	1.1	66	0.7	248	20.8	302	29.2												
					1.0	277	14.5	330	20.3	360	24.8										
					1.4	309	11.0	363	12.6	393	18.3										
		0.7	1.7	102	1.0	331	7.6	384	10.1	414	15.8	448	20.6								
					1.4	277	13.4	330	19.4	360	22.2										
					1.7	309	8.9	363	14.4	393	18.7	426	26.6								
					2.0	331	6.9	384	13.3	414	17.1	448	25.6								
		1	2.1	126	1.4	365	7.3	419	10.4	449	15.0	482	22.4	505	26.4						
					1.7	309	11.3	363	13.6	393	18.6	426	29.2								
					2.0	331	8.1	384	10.2	414	17.8	448	25.3								
		1.4	2.5	150	2.8	365	8.0	419	9.9	449	15.6	482	23.9	505	27.6						
					1.7	436	6.4	489	9.1	519	11.4	553	16.0	575	21.6						
					2.0	331	9.3	384	13.9	414	19.5	448	27.2								
							2.8	365	7.5	419	13.3	449	16.9	482	24.3	505	25.8				
							2.8	436	6.1	489	7.3	519	9.8	553	15.4	575	18.0	612	24.6	685	30.0

*At the stated pressure in bar

**Data collected with water at 70°F. Blank cells are not recommended.



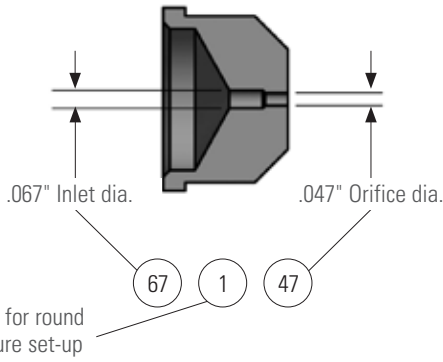
NUMBERING SYSTEM FOR AIR CAPS AND FLUID CAPS

The drawings below illustrate the measurements used in the Spray Performance Data charts.

**AIR CAPS
PRESSURE SET-UPS (INTERNAL MIX)**

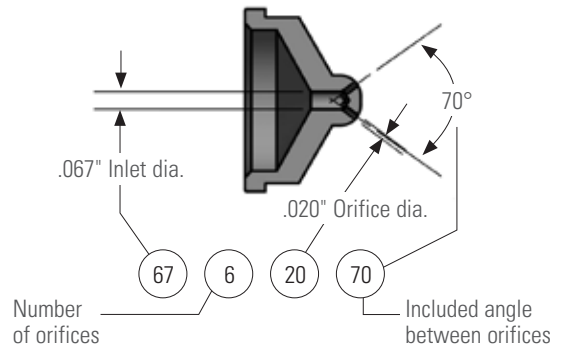
Round Spray Pattern

Example: Air Cap No. PA67147



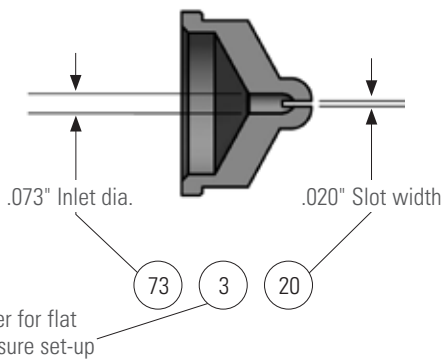
Wide Angle Round Spray Pattern

Example: Air Cap No. PA67-6-20-70



Flat Spray Pattern

Example: Air Cap No. PA73320



Dimensions shown are nominal and subject to manufacturing tolerances.

PLACING YOUR ORDER

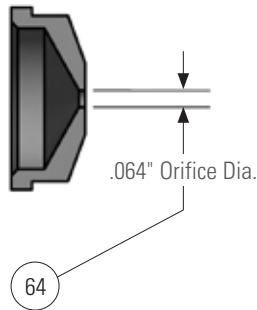
**Call 1.630.665.5000 for application assistance
or to place an order.**

AIR CAPS

SIPHON/GRAVITY FEED SET-UPS (EXTERNAL MIX)

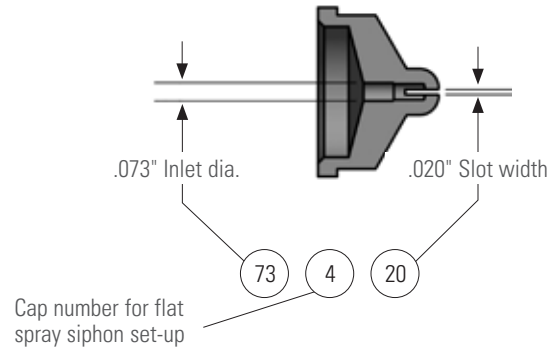
Round Spray Pattern

Example: Air Cap No. PA64



Flat Round Spray Pattern

Example: Air Cap No. PA73420

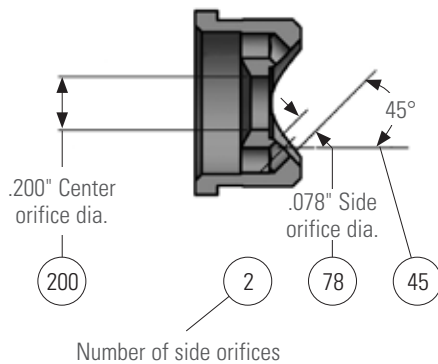


AIR CAPS

PRESSURE SET-UPS (EXTERNAL MIX)

Flat Spray Pattern

Example: Air Cap No. PA200278-45

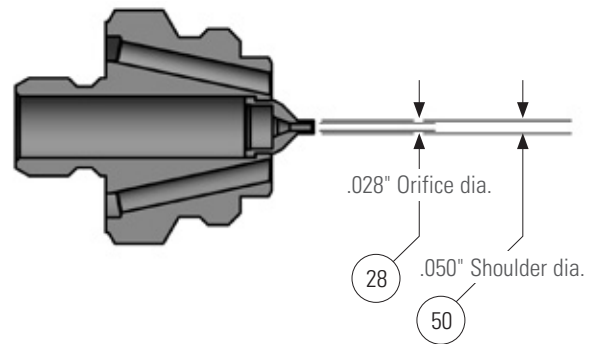


FLUID CAP

FOR USE WITH ALL SET-UPS

Fluid Cap

Example: Fluid Cap No. PF2850



Dimensions shown are nominal and subject to manufacturing tolerances.

AIR ATOMIZING SET-UP COMPATIBILITY

Use the chart that follows to determine which spray set-ups can be used with our atomizing nozzles. The chart also includes the part number for the air cap and fluid cap that are required for each spray set-up.

Set-up No.	Spray Pattern	Fluid Cap No.	Air Cap No.
SU11	Round	PF2050	PA67147
SU12A	Round	PF2050	PA73160
SU12	Round	PF2850	PA73160
SU22B	Round	PF40100	PA1401110
SU22	Round	PF60100	PA1401110
SU42	Round	PF100150	PA1891125
SU16	Wide Angle Round	PF2050	PA67-6-20-70
SU26B	Wide Angle Round	PF40100	PA140-6-37-70
SU26	Wide Angle Round	PF60100	PA140-6-37-70
SU29	Wide Angle Round	PF60100	PA140-6-52-70
SU30	Wide Angle Round	PF40100	PA120-6-35-60
SU46	Wide Angle Round	PF100150	PA189-6-62-70
SU340C	360° Circular	PF60150	PA189-6-62-160HC
SU13A	Flat	PF2050	PA73328
SU13	Flat	PF2850	PA73328
SUN13	Flat	PF2850	PA73335
SU14	Flat	PF2850	PA73320
SUN23	Flat	PF60100	PA125340
SU23B	Flat	PF40100	PA125328
SU23	Flat	PF60100	PA125328
SU43	Flat	PF100150	PA189351
SU240E	Deflected Flat	PF28150	PA189110-75
SUE15B	Flat	PF1650	PA67228-45

Set-up No.	Spray Pattern	Fluid Cap No.	Air Cap No.
SUE18B	Flat	PF1650	PA62240-60
SUE15A	Flat	PF2050	PA67228-45
SUE18A	Flat	PF2050	PA62240-60
SUE15	Flat	PF2850	PA67228-45
SUE18	Flat	PF2850	PA62240-60
SUE25B	Flat	PF35100	PA134255-45
SUE28B	Flat	PF35100	PA122281-60
SUE25A	Flat	PF40100	PA134255-45
SUE28A	Flat	PF40100	PA122281-60
SUE28	Flat	PF60100	PA122281-60
SUE25	Flat	PF60100	PA134255-45
SUE45B	Flat	PF60150	PA200278-45
SUE45A	Flat	PF80150	PA200278-45
SUE45	Flat	PF100150	PA200278-45
SUF1	Flat	PF2850	PA73420
SUF2C	Flat	PF35100	PA120432
SUF3B	Flat	PF40100	PA122435
SUF4B	Flat	PF40100	PA122440
SU1A	Round	PF1650	PA64
SU1	Round	PF2050	PA64
SU2A	Round	PF2050	PA70
SU2	Round	PF2850	PA70
SU4	Round	PF60100	PA120



Set-up No.	Spray Pattern	Fluid Cap No.	Air Cap No.
SU5	Round	PF100150	PA180
D-SU1A-W D-SU1A-W-CO	Wide Angle Round	Fluid caps and air caps not sold separately.	
D-SU1-W D-SU1-W-CO	Wide Angle Round		
D-SU2A-W D-SU2A-W-CO	Wide Angle Round		
D-SU2-W D-SU2-W-CO	Wide Angle Round		
D-SU4-W D-SU4-W-CO	Wide Angle Round		
D-SU5-W D-SU5-W-CO	Wide Angle Round		
SUJ11	Round		
SUJ12A	Round	PFJ2050	PAJ73160
SUJ12	Round	PFJ2850	PAJ73160
SUJ22B	Round	PFJ40100	PAJ1401110
SUJ22	Round	PFJ60100	PAJ1401110
SUJ340C	360° Circular	PFJ60100	PAJ150-6-62-160HC
SUJ16	Wide Angle Round	PFJ2050	PAJ67-6-20-70
SUJ26B	Wide Angle Round	PFJ40100	PAJ140-6-37-70
SUJ26	Wide Angle Round	PFJ60100	PAJ140-6-37-70
SUJ29	Wide Angle Round	PFJ60100	PAJ140-6-52-70
SUJ30	Wide Angle Round	PFJ40100	PAJ120-6-35-60
SUJ13A	Flat	PFJ2050	PAJ73328
SUJ13	Flat	PFJ2850	PAJ73328
SUJ14	Flat	PFJ2850	PAJ73320
SUJ23B	Flat	PFJ40100	PAJ125328
SUJ23	Flat	PFJ60100	PAJ125328
SUJE416-50	Flat	PFJ1650	PAJ105-50
SUJE417-50	Flat	PFJ2050	PAJ105-50

Set-up No.	Spray Pattern	Fluid Cap No.	Air Cap No.
SUJE418-50	Flat	PFJ2850	PAJ105-50
SUJE420-50	Flat	PFJ40100	PAJ135-50
SUJE416-65	Flat	PFJ1650	PAJ080-65
SUJE417-65	Flat	PFJ2050	PAJ080-65
SUJE418-65	Flat	PFJ2850	PAJ080-65
SUJE420-65	Flat	PFJ40100	PAJ125-65
SUJE421-65	Flat	PFJ60100	PAJ-125-65
SUJE416-90	Flat	PFJ1650	PAJ075-90
SUJE417-90	Flat	PFJ2050	PAJ075-90
SUJE418-90	Flat	PFJ2850	PAJ075-90
SUJE420-90	Flat	PFJ40100	PAJ115-90
SUJE421-90	Flat	PFJ60100	PAJ115-90
SUJ1A	Round	PFJ1650	PAJ64
SUJ1	Round	PFJ2050	PAJ64
SUJ2A	Round	PFJ2050	PAJ70
SUJ2	Round	PFJ2850	PAJ70
SUJ3	Round	PFJ2850	PAJ64-5
SUJ4B	Round	PFJ40100	PAJ120
SUJ4	Round	PFJ60100	PAJ120
SUJF1	Flat	PFJ2850	PAJ73420
SUJF2C	Flat	PFJ35100	PAJ120432
SUJF3B	Flat	PFJ40100	PAJ122435
SUJF4B	Flat	PFJ40100	PAJ122440
SU70	Round	PF250375	PA437
SU75	Flat	PF250375	PA4533102



Set-up No.	Spray Pattern	Fluid Cap No.	Air Cap No.
SU380C	360° Circular	PF251376	PA469-6-130-160HC
SU85	Flat	PF251376	PA4693102
SU77	Wide Angle Round	PF250375	PA422-6-73-70
SU78	Wide Angle Round	PF250375	PA422-6-94-70
SU79	Wide Angle Round	PF250375	PA469-6-125-70
SU89	Wide Angle Round	PF251376	PA469-6-130-70
SU72	Round	PF250375	PA4221250
SU82	Round	PF251376	PA4691312
SUE75	Flat	PF250375	PA14356
SU159	Wide Angle Round	PF4371000	PA1109-6-224-70
SU152	Round	PF4371000	PA11091547
SU172	Round	PF6251000	PA11251625
SU155	Flat	PF4371000	PA11093187
SUE175B	Flat	PF625780	PA12116
SU170	Round	PF6251000	PA1125
SUQR-220B	Round	PFQ40	PAQR95
SUQW-260B	Wide Angle Round	PFQ30	PAQW37-60
SUQW-260	Wide Angle Round	PFQ60	PAQW37-60
SUQW-290	Wide Angle Round	PFQ60	PAQW52-60
SUQF-130	Flat	PFQ20	PAQF28
SUQF-N130	Flat	PFQ30	PAQF28
SUQF-230B	Flat	PFQ30	PAQF35
SUQF-230	Flat	PFQ40	PAQF40
SUQR-200	Round	PFQ5028	PAQR070
SUQR-300	Round	PFQ10060	PAQR120
SUQF-200C	Flat	PFQ10035	PAQF450121
SUQF-300B	Flat	PFQ10040	PAQF450121

Set-up No.	Spray Pattern	Fluid Cap No.	Air Cap No.
SUQF-300	Flat	PFQ10060	PAQF450121
SUVM67B	Variable	VMF1650	VMA67255-60
SUVM67A	Variable	VMF2050	VMA67255-60
SUVM67	Variable	VMF2850	VMA67255-60
SUVM113A	Variable	VMF3578	VMA113289-60
SUVM113	Variable	VMF4078	VMA113289-60
SUVM128	Variable	VMF60100	VMA1282100-60
SUVM152	Variable	VMF80125	VMA1522110-60
SUV67B	Variable	VF1650	VA67255-60
SUV67A	Variable	VF2050	VA67255-60
SUV67	Variable	VF2850	VA67255-60
SUV113A	Variable	VF3578	VA113293-60
SUV113	Variable	VF4078	VA113293-60
SUV128	Variable	VF60100	VA1282125-60
SUV152	Variable	VF80125	VA1522125-60
SUVXE1A	Flat	PFX16	PAVX140A
SUVXE2C	Flat	PFX16	PAVX156A
SUVXE1	Flat	PFX20	PAVX140A
SUVXE2B	Flat	PFX20	PAVX156A
SUVXE2A	Flat	PFX28	PAVX156A
SUVXE3B	Flat	PFX28	PAVX180A
SUVXE2	Flat	PFX40	PAVX156A
SUVXE3A	Flat	PFX40	PAVX180A
SUVXE3	Flat	PFX60	PAVX180A
SUVXE4B	Flat	PFX60	PAVX200A
SUVXE4A	Flat	PFX80	PAVX200A
SUVXE4	Flat	PFX100	PAVX200A

