



Spraying Systems Co.®

Manual Brush Shower Specification Sheet

Company: _____ Name: _____ Address: _____

Phone: _____ Fax: _____ Sales office/sales engineer: _____

QTY SHOWERS REQUIRED: _____

(INCHES/MM/DEGREES)

Pipe length (PL)*: _____

Theoretical coverage (TC)*: _____

Nozzle spacing (NS): _____

Inlet to nozzle (IL)*: _____

First to last (FL): _____

End to edge (ED): _____

Shower height (SH)*: _____

Support distance (SD)*: _____

Spray angle (SA)*: _____ (0, 15, 30, 45, 60 75)

Outlet angle (OA)*: _____

Pipe material*: _____ (316LSS or 304LSS)

Inlet (M)*: _____ (NPT or BSPT)

Operating pressure*: _____ (psi or bar)

Total flow*: _____ (gpm or lpm)

Operating temperature*: _____ (F or C)

Qty of nozzles: _____

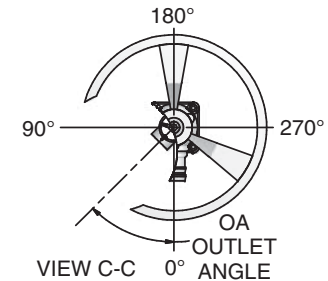
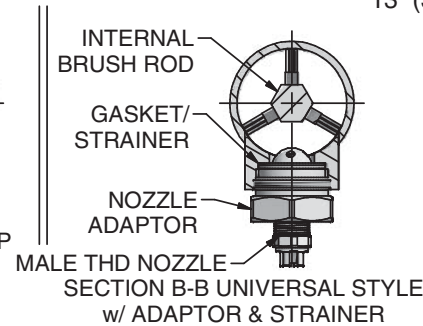
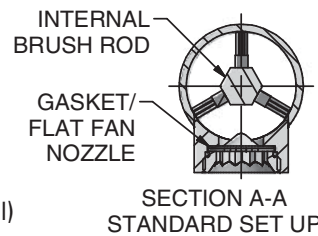
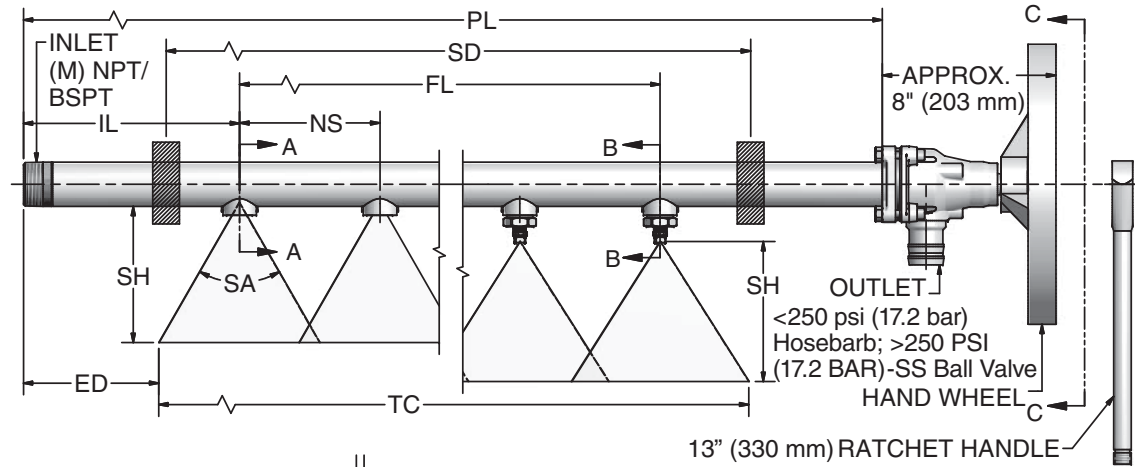
Hand wheel: _____ (Aluminum or SS)

Ratchet handle: _____ (optional, Iron material)

Oscillating stroke length*: _____ (in or mm)

Spray overlap: _____ (single or double)

Liquid sprayed: _____



*Required



Universal Style Brush Type Shower (See Section B-B)

See data sheet DS21890 for adaptor and strainer disc

Specific nozzle: _____ Nozzle part no*: _____

Nozzle adaptor p/n*: _____ Strainer disc*: _____

Special comments/requirements: _____

Defaults	Minimums
Material: 316LSS	IL: 4.00 (101.6 mm)
psi: 40 (2.76 bar)	psi: 40 (2.76 bar)
IL: 4.00 (101.6 mm)	Pipe size: 1-1/2"
SA: 60	NS: 2.00 (50.8 mm)
OA: 0 (zero)	
Handwheel (Alum)	
Inlet: (M) NPT	
Spray overlap: 1	
Temp. < 100°F (38°C)	

Download this form at www.spray.com/specsheets