

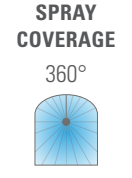
**TANKJET® UNIROKON D41892
TANK CLEANING NOZZLE**

FEATURES AND BENEFITS

- Three flat sprays provide 360° coverage to rinse the entire tank
- The flow of the cleaning liquid drives spray head rotation
- Lightweight, durable and corrosion resistant
- CIP connection and ATEX-certified versions available

IDEAL FOR CLEANING:

- Chemical containers
- Food containers
- Mixing tanks



MOUNTING OPTIONS

Vertical	↑	↓
Horizontal	←	→
45° Up	↖	↗
45° Down	↘	↙

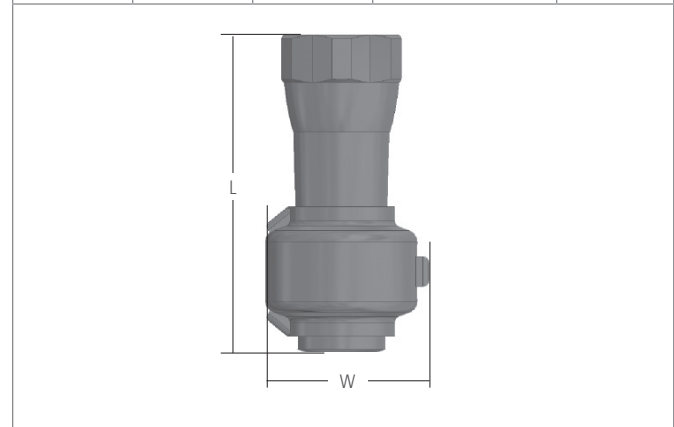


SPECIFICATIONS

TankJet® UniRokon D41892 Tank Cleaning Nozzle	
Max. tank diameter:	2.0 m
Operating principle:	Fluid-driven reactionary force
Flow rate:	10.6 to 25 l/min
Recommended pressure: (operating pressure)	2.0 to 4.0 bar (1.4 to 8.0 bar)
Max. temperature:	70 °C
Materials:	Polyacetal (POM) or PVDF
Inlet connection:	CIP Ø 18.2 mm, 3/8", 1/2" NPT or BSPT (F)
Required strainer:	Recommended mesh size: < 80 µm See chapter E

DIMENSIONS AND WEIGHTS

Model	L (mm)	W (mm)	Min. Tank Opening (mm)	Weight (kg)
D41892	68	37	37	0.04



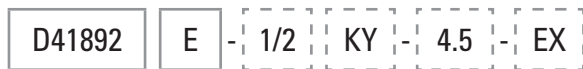
PERFORMANCE DATA

Capacity Size	Liquid Flow Capacity (l/min)				
	2.0 bar	2.5 bar	3.0 bar	3.5 bar	4 bar
3.2	10.6	11.9	13	14	15
4.5	14.7	16.4	18	19.4	20.8
6	18.4	20.3	22	23.5	25

PERFORMANCE DATA

Capacity Size	Liquid Flow Capacity (l/min)				
	2.0 bar	2.5 bar	3.0 bar	3.5 bar	4 bar
3.2	10.6	11.9	13	14	15
4.5	14.7	16.4	18	19.4	20.8
6	18.4	20.3	22	23.5	25

ORDERING INFORMATION
TANKJET UNIROKON D41892



Modifications:
None = Standard version
EX¹ = Meets the European ATEX standard for use in explosive environments

Capacity size:
3.2 | 4.5 | 6

Material code: Color:
KY = PVDF White (FC & FDA)
KY = PVDF Black (ATEX, not FC)
POM = POM Black
FC* = PVDF Blue

Inlet connection:
3/8 = 3/8" NPT
B3/8 = 3/8" BSPT
1/2 = 1/2" NPT
B1/2 = 1/2" BSPT
182 = CIP Ø 18.2 mm

Spray coverage:
E = 360°

¹ = Only available in KY and black color
* = Only upon request

For lances, mounting kits, adapters and more, see chapter E