

**TANKJET AA290 TANK CLEANER
FEATURES AND BENEFITS**

- Dependable, durable motor-driven units provide consistent, high-impact cleaning to remove the most stubborn residues
- Motor is positioned outside the tank to ensure long life and eliminate failures caused by exposure to harmful cleaning solutions; constructed of corrosion-resistant 316 stainless steel with EPDM / FFKM and PTFE fluoropolymer resin seals
- 55430 series solid stream nozzles provide optimum impact and have removable stabilizer vanes for easy maintenance
- Flow rates can be controlled through nozzle selection or adjustments to inlet pressure
- Customize by selecting:
 - CE-rated air or electric motors
 - Two- or four-nozzle configuration
 - Extension lengths from 0.9 m up to 3 m
 - Flange mounting options include: ASME® raised face, EN 1092-1
- PTFE free version for Food Contact available
- ATEX-certified versions available

SPECIFICATIONS

TankJet AA290 Tank Cleaner	Standard version	PTFE free version & PTFE free version (FC)
Max. tank diameter:	24 m	
Operating principle:	Motor-driven	Motor-driven
Flow rate:	91 to 1075 l/min	
Operating pressure:	3.4 to 17.2 bar	
Max. temperature:	93 °C	60 °C
Materials:	Seals: EPDM / FFKM, PTFE (graphit filled), PA All other metallurgy: 316 stainless steel	Seals: EPDM, PE UHMW, PA All other metallurgy: 316 stainless steel
Inlet connection:	2" NPT or BSPT (F)	2" NPT or BSPT (F)
Motor options:	Air & electric	Air & electric
Electric motors:	230 V, 230/400 V, 50 or 60 Hz, up to IP 66	
ATEX:	available	not available
Optional accessories:	Strainers, recommended mesh size: < 80 µm See page E2	

TankJet AA290 tank cleaner with air motor

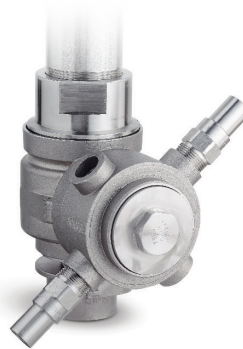


SPRAY COVERAGE
360°



MOUNTING OPTIONS

Vertical



TankJet AA290 spray head
2 nozzles



TankJet AA290 spray head
4 nozzles



FDA
compliant materials



Lubricator assembly included with the air model



VIDEO

IDEAL FOR CLEANING:

- Fermentation and yeast tanks and vats
- Mixing tanks
- Flour silos
- Paint tanks



PERFORMANCE DATA

Model AA290		Total Flow of Equal Capacity (l/min*) Liquid Inlet Pressure									
Nozzle	Capacity Size	3.4 bar		6.9 bar		10.3 bar		13.8 bar		17.2 bar	
		Two Nozzles	Four Nozzles	Two Nozzles	Four Nozzles	Two Nozzles	Four Nozzles	Two Nozzles	Four Nozzles	Two Nozzles	Four Nozzles
55430-H3/4U	00100	91	179	128	247	154	297	190	360	200	379
	00200	170	336	241	475	293	564	360	653	380	667
	00250	212	410	296	577	356	685	434	796	458	816
	00350	293	546	415	725	496	841	584	958	602	978
	00400	335	613	470	820	559	948	648	1064	664	1075

*Note: Liquid inlet pressure measured near inlet connection of tank cleaner.

AIR MOTOR
CYCLE TIME DATA

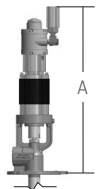
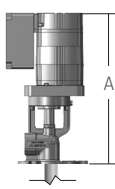
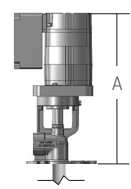
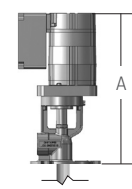
Air Pressure psi (bar)	Approx. Speed (rpm)		Approx. Time for One Complete Cycle (min)	
	Liquid Pressure (bar)			
	3.45	17.2	3.45	17.2
0.83	3	2	20	30
0.97	4	3	15	20
1.10	5	4	12	15
1.24	6	5	10	12

ELECTRIC MOTOR
CYCLE TIME DATA

Type	Volt (V)	Frequency (Hz)	Power max. (W)	IP Rating	Speed (r/min)	Approx. Time for 1 Complete Cycle (min)
Standard	230	50	90	IP56	6.3	10
Standard	230/400	50	120	IP65	5.3	12
Standard	230/400	60	120	IP66	6.4	10
ATEX	230/400	50	120	IP66	5.3	12
ATEX	230/400	60	120	IP66	6.4	10

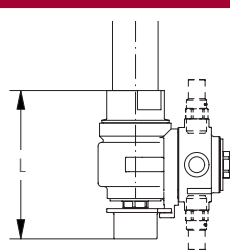


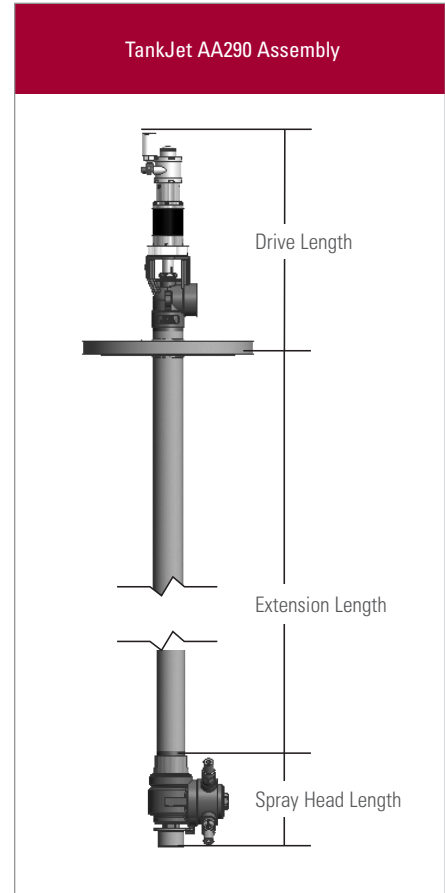
DIMENSIONS AND WEIGHTS

Air motor	Electric motor 230 V	Electric motor 230/400 V 50 and 60 Hz	Electric motor 230/400 V 50 and 60 Hz, ATEX
			
Length: 321 mm Weight: 6.4 kg	Length: 427 mm Weight: 7 kg	Length: 335 mm Weight: 10 kg	Length: 362 mm Weight: 10 kg

*Extension lengths available from 0.3 m to 3.0 m

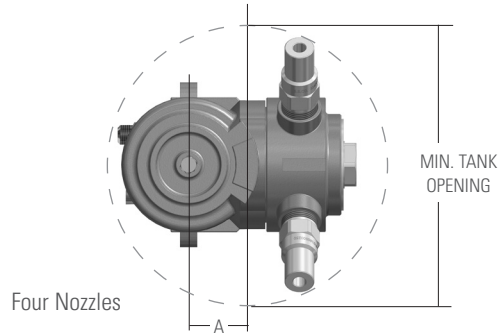
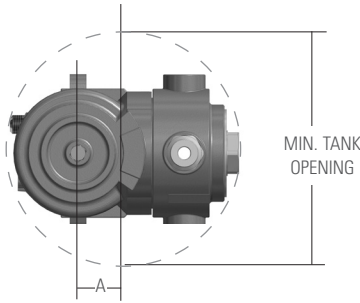
Extension length	Weight
0.3 m	1.8 kg
0.6 m	3.6 kg
0.9 m	5.4 kg
1.2 m	7.2 kg
1.5 m	9.0 kg
1.8 m	10.8 kg
2.1 m	12.6 kg
2.4 m	14.4 kg
2.7 m	16.2 kg
3.0 m	18.0 kg

TankJet AA290 Spray Head	L	Weight
	196 mm	5 kg





SPRAY HEAD TANK OPENING DIAMETER

Model	No. of Nozzles	Min. Tank Opening (mm)	A (mm)
AA290	2	184	41
	4	210	50



FLANGE OPTIONS

Flange Type	Size	Sales Code	Net Weight (kg)
EN 1092-1 flange 1.4571 	DN 200 / PN 6	S01	12.3
	DN 250 / PN 6	S02	18.5
	DN 200 / PN 16	S03	16.2
	DN 250 / PN 16	S04	25
ASME® 150# Raised Face Flange / ASME® Plate Flange, thin 	8"	8RF	16.5
	10"	10RF	16.5
	9" Plate Flange	9PF	6.8
	10" Plate Flange	10PF	7

ORDERING INFORMATION

Call your local spray expert for application assistance or to place an order.