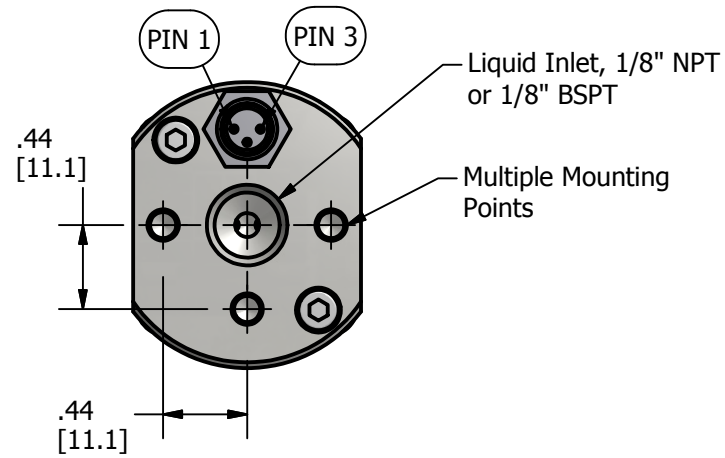


PulsaJet® AA_10000AUH-104210-__

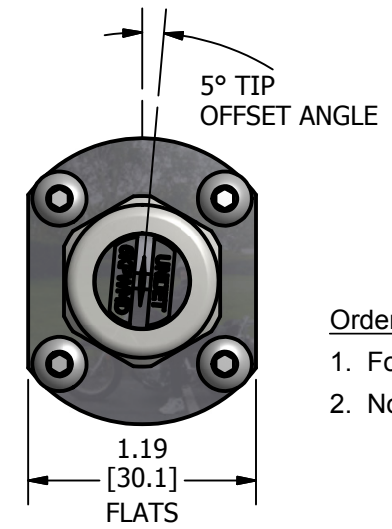
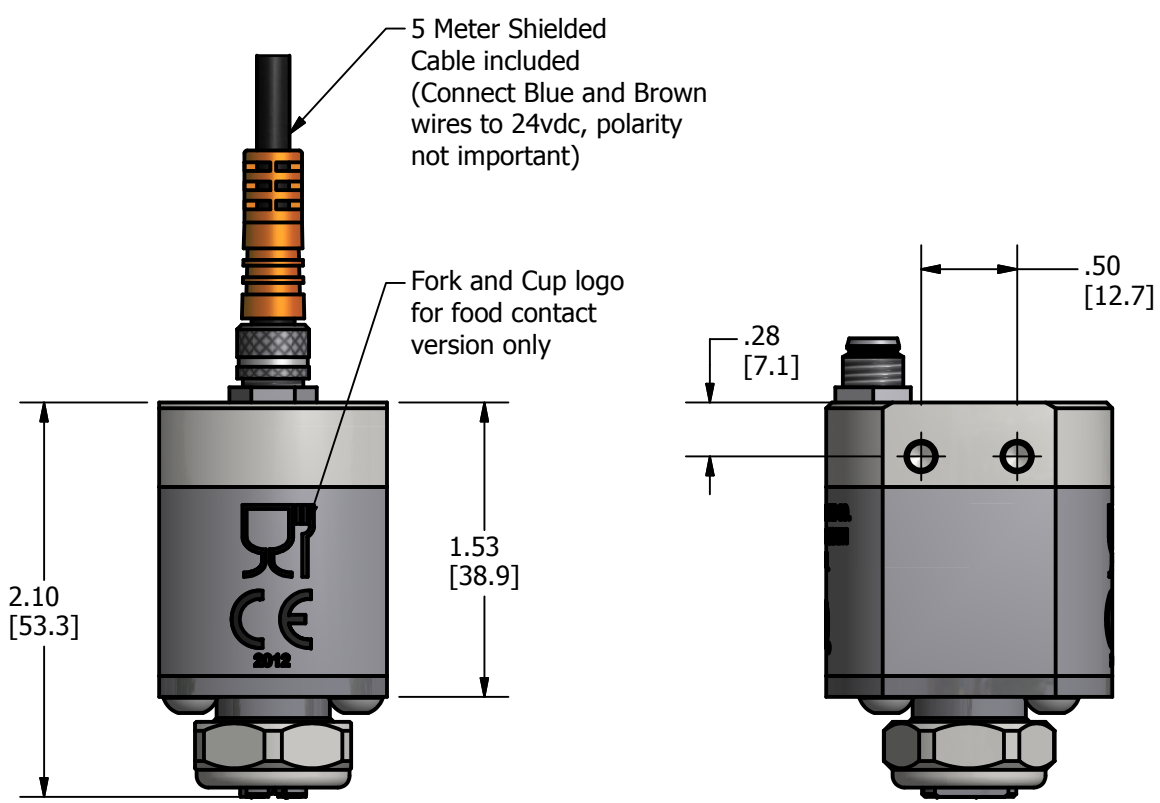


Additional Specifications
 Weight - Approx. 9 oz. (0.26kg)
 Power - 0.36 Amp. at 24vdc
 Max. Fluid Pressure - 250 PSI (17 bar)
 (W/ SSCO. 2008 PWM Controller)
 Max. Fluid Temp. - 200°F (93°C)

**W/ 5 Degree Dovetail Tip Alignment
 Electric Spray Nozzle**

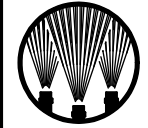
Two versions are available:
 1. CE approved and food contact materials (EC 1935/2004).
 2. CE approved and non-food contact materials.

- For pulse width modulation (PWM) applications to accurately control flow rate while maintaining spray pattern integrity.
- Special electric spray nozzle that has built in 5 degree nozzle offset.
- Uses special 58659 low profile dovetail flat spray tips. The nozzles have been made especially for this gun.
- Integral connector is a 3 pole, m8 (pico or nano size), male receptacle. supplied with a 3 pole, m8, straight, female, shielded cable cordset. for wiring, only the 1 pin (brown wire) and 3 pin (blue wire) are used. the black wire is not used. to ensure electromagnetic compatibility, the shielding must be connected to earth ground.
- Uses a shielded cable specially designed for use with high speed gun drivers like SSCO 2008 PWM controllers.
- Compact, lightweight design, ideal for automated or robotic applications.
- High speed cycling possible, up to 15,000 cycles per minute when used with 2008 PWN controller.
- Specifically designed to operate with the SSCO 2008 PWM controller but will operate with any 24vdc controller.
- Wetted seals available in:
 1. FDA/food contact VITON or EPR or
 2. Non-FDA contact VITON and EPR
- Food contact version complies with appropriate European food contact and safety directives.
- Available mounting kit for 1/2" rod, see Data Sheet 50935.



Ordering Examples:
 1. Food contact version NPT W/ VITON seals: AA10000AUH-104210-VIFC
 2. Non-Food contact BSPT W/ EPR seals: AAB10000AUH-104210-EP

Typical Applications:
 • Coating • Sealing • Marking • Moisturizing • Lubricating • Robots

DESCRIPTION: #AA10000AUH-104210-__ & #AAB10000AUH-104210-__ PulsaJet® Automatic Spray Nozzle		 Spraying Systems Co.® Spray Nozzles and Accessories P.O. Box 7900 - Wheaton, IL 60187-7901
REVISION NO.	3	
REFERENCE:		SHEET: 1 OF 1
		DWG SIZE: B