

# **Spraying Systems Co.® Automatic Brush Shower Specification Worksheet**

Company: \_\_\_\_\_ Name: \_\_\_\_\_ Address: \_\_\_\_\_  
 Phone: \_\_\_\_\_ Fax: \_\_\_\_\_ Sales office/sales engineer: \_\_\_\_\_

## SHOWER INFORMATION

QTY SHOWERS REQUIRED: \_\_\_\_\_

(INCHES/MM/DEGREES)

Pipe length (PL)\*: \_\_\_\_\_  
 Theoretical coverage (TC)\*: \_\_\_\_\_  
 Support distance (SD)\*: \_\_\_\_\_  
 Bracket inlet (B1)\*: \_\_\_\_\_  
 Bracket outlet (B2)\*: \_\_\_\_\_  
 Shower height (SH)\*: \_\_\_\_\_  
 Spray angle (SA)\*: \_\_\_\_\_  
 (0°, 15°, 30°, 45°, 60° or 75°)  
 Outlet angle (OA)\*: \_\_\_\_\_  
 End to edge (ED): \_\_\_\_\_  
 End to motor side (EH) - min./max.: \_\_\_\_\_  
 Nozzle spacing (NS): \_\_\_\_\_  
 Inlet to nozzle (IL): \_\_\_\_\_  
 Outlet to nozzle (OL): \_\_\_\_\_  
 First to last (FL): \_\_\_\_\_  
 Pipe material\*: \_\_\_\_\_ (316LSS or 304LSS)  
 Inlet type/size (M)\*: \_\_\_\_\_ (NPT or BSPT)  
 (1.5, 2.0, 2.5, 3)  
 Outlet type/size\*: \_\_\_\_\_ (Hose barb) / (1.5/2)  
 AutoBrush Mounting Side\*: \_\_\_\_\_ (tending or drive side)  
 Oscillating stroke length\*: \_\_\_\_\_ (in or mm)  
 Only applies if integrated with oscillator  
 Spray coverage: \_\_\_\_\_ (single or double)  
 Qty of nozzles: \_\_\_\_\_

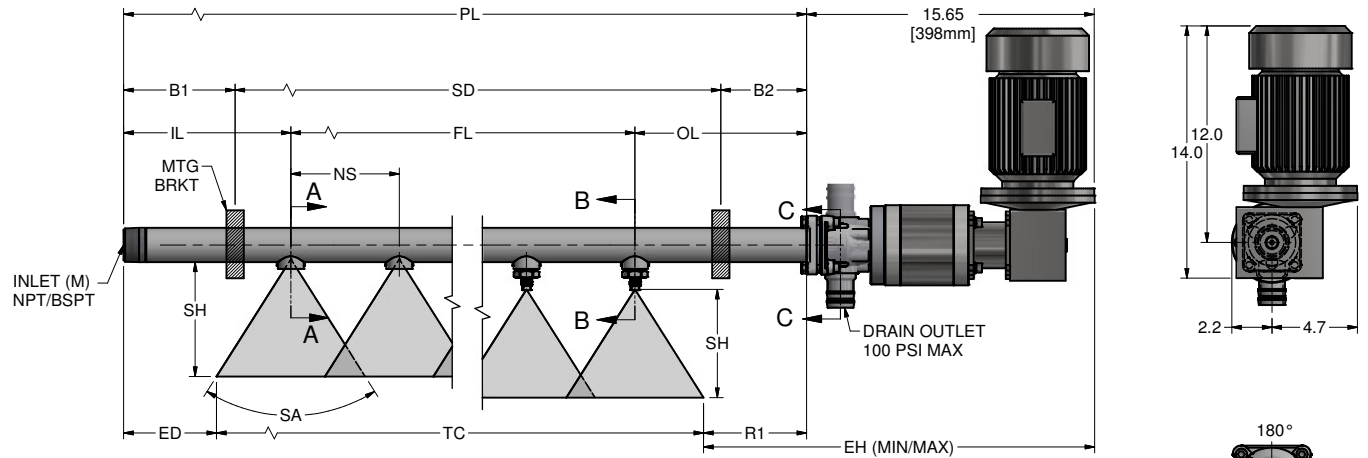
\*Required

## NOZZLES

Standard Universal Style Brush Type Shower (see section B-B) comes equipped with ShowerJet nozzles but is adequate with many different style nozzles with Universal Adaptor – traditional, disc type, conventional flat spray and more.

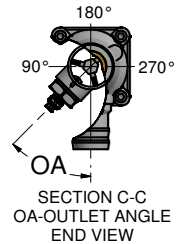
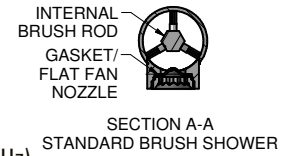
For more detail on the Universal Adapter see data sheet DS28190.

[Click here to see all nozzle options available.](#)



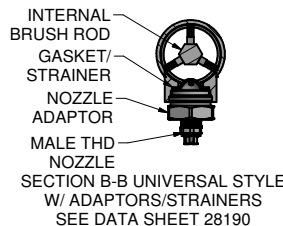
## CONTROLLER INFORMATION

One Control Panel with \_\_\_\_\_ Brush Header\*  
 (1, 2, 3, 4 or custom)  
 PLC Brand \_\_\_\_\_ and Touchscreen\*  
 (Allen Bradley™ w/ Ethernet IP or Siemens®)  
 Power\* \_\_\_\_\_ (480VAC/3 phase/60 Hz)  
 Estimated Daily Cleaning Cycles: \_\_\_\_\_



## PROCESS CONDITIONS

Operating pressure\*: \_\_\_\_\_ (max 100 psi, 6.9 bar)  
 Total flow\*: \_\_\_\_\_ (gpm or lpm)"  
 Operating temperature\*: \_\_\_\_\_ (F or C)"  
 Liquid sprayed: \_\_\_\_\_  
 Environmental Concerns:  Yes  No Please provide details below.  
 \_\_\_\_\_



Specific nozzle: \_\_\_\_\_  
 Nozzle adaptor part no\*: \_\_\_\_\_  
 Nozzle part no\*: \_\_\_\_\_  
 Strainer disc\*: \_\_\_\_\_  
 \*Required

Defaults	Minimums
IL: 4.0" (101.6 mm)	IL: 4.0" (101.6 mm)
SA: 60°	Pressure: 40 psi (2.8 bar)
Inlet: (M) NPT	Pipe size: 1-1/2"
Spray overlap: 1	NS: 2.0" (50.8 mm)
OA: 0 (zero)	
Materials: 316LSS	
Temp. < 100 F (38 C)	
Power Req'd: 480VAC/3 phase/60 Hz	
Control Panel Mat'l: Painted Steel	
Control Method: Auto Timer & Manual	

Allen-Bradley is a trademark of Rockwell Automation, Inc. Siemens is a registered trademark of Siemens AG.