



Spraying Systems Co.
Experts in Spray Technology



WINDJET® 727-KY FOR FOOD CONTACT

A METAL-DETECTABLE PLASTIC AIR NOZZLE SPECIALLY MADE FOR FOOD PROCESSORS

The WindJet 727-KY is made from PVDF material but also contains very small metal particles. These metal particles are detectable by food-grade metal detectors, offering a significant safety advantage over other plastic air nozzles.

Specially made for food processors, this air nozzle is FDA-compliant for food contact, as well as EC10/2011 and EC1935/2004 compliant.

The WindJet 727-KY nozzles are lightweight, durable and less costly than stainless steel air nozzles.



BENEFITS

- **Ensures food safety:** Special PVDF material includes small metal particles that are detectable by inspection equipment
- **More efficient drying:** WindJet nozzles are widely used for moving materials and cleaning, drying and cooling parts. High-impact, uniform air stream ensures effective drying and blow-off even for round or oddly shaped products
- **Less noise:** Up to 60% reduction in perceived noise level, depending on the initial air pressure. At 100 psig (7 bar), for example, an open pipe would produce a noise level of 98 dBA while an air nozzle would produce 85 dBA, a reduction of 13 dBA and a perceived noise reduction of 60%
- **Improved safety:** Nozzle design prevents dead-ending should the nozzle accidentally be placed against a flat surface

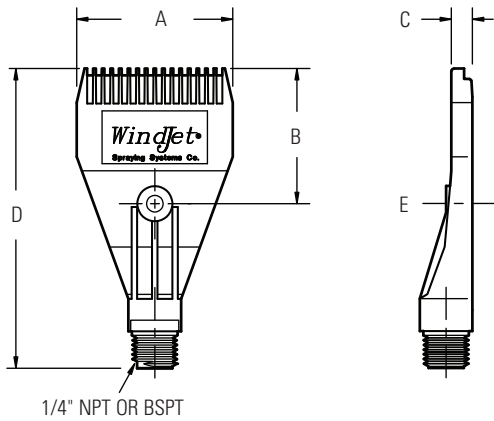
IDEAL FOR

- Drying cans or bottles
- Drying pans or trays
- Drying food products during processing
- Drying food products post-processing



WINDJET 727-KY FOR FOOD CONTACT

DIMENSIONS



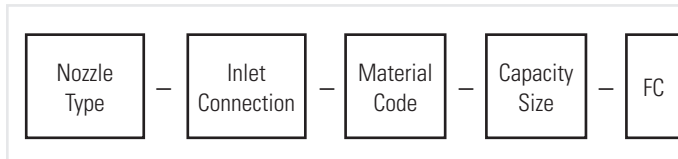
| Part | Material | A in. (mm) | B in. (mm) | C in. (mm) | D in. (mm) | E in. (mm) |
|---------------------|----------------------------|------------|------------|------------|------------|------------|
| DAA727-1/4-KY-xx-FC | PVDF with metal inclusions | 1.85 (47) | 1.61 (41) | 0.24 (6) | 3.58 (91) | 0.2 (5) |

(xx = capacity size 11, 15 or 23)

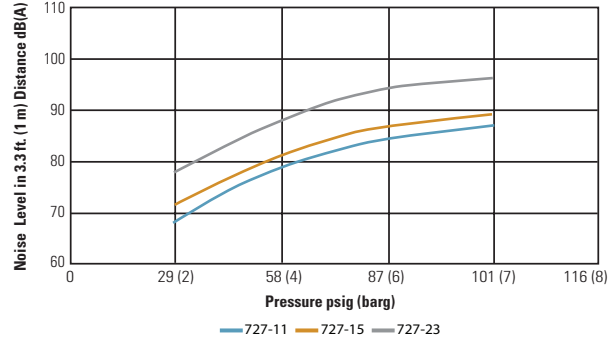
CAPACITY:

| Type | Inlet (in.) | Capacity Size | Air Flow in scfm (Nlpm) | | |
|--------|-------------|---------------|-------------------------|----------------|----------------|
| | | | 30 psi (2 bar) | 60 psi (4 bar) | 90 psi (6 bar) |
| DAA727 | 1/4 | 11 | 8.9 (250) | 14.4 (400) | 19.4 (550) |
| | | 15 | 12.4 (350) | 20.6 (583) | 28.9 (817) |
| | | 23 | 18.3 (517) | 30.2 (850) | 42.4 (1200) |

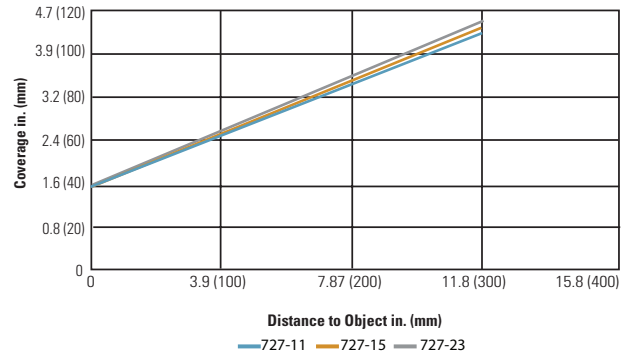
ORDERING INFORMATION



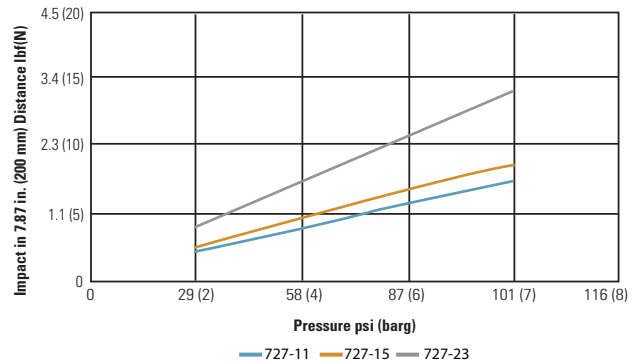
NOISE LEVEL AT 7.87 IN. (200 MM)



COVERAGE AT 72.5 PSI (5 BAR)



IMPACT FORCE AT 7.87 IN. (200 MM) DISTANCE



North Avenue and Schmale Road, P.O. Box 7900, Wheaton, IL 60187-7901 USA

Tel: 1.800.95.SPRAY Intl. Tel: 1.630.665.5000

Fax: 1.888.95.SPRAY Intl. Fax: 1.630.260.0842

www.spray.com



Bulletin No. 789 ©Spraying Systems Co. 2021

Example



BSPT connections require the addition of a "B" prior to the inlet connection.