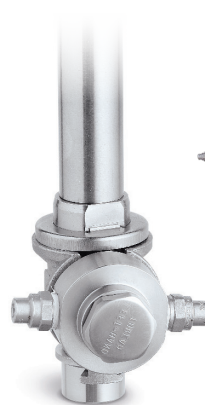


**TANKJET AA190 TANK CLEANER  
FEATURES AND BENEFITS**

- Versatile, high-impact tank cleaner provides efficient, consistent, reliable cleaning with virtually no maintenance
- Lightweight units can be installed permanently or easily moved from tank to tank
- Unit is constructed using corrosion-resistant materials with the motor positioned outside the tank, away from harmful caustics, for trouble-free operation and long service life
- Component and configuration options allow easy customization to meet the needs of a variety of cleaning operations. Choices include:
  - Variable speed CE-approved air or electric motors
  - High-pressure versions, for applications requiring higher impact force, that operate at pressures up to 70 bar
  - 360° or 180° coverage
  - Extension lengths from 0.3 m to 3.0 m
  - Flange mounting options include: three-prong (standard), ASME® raised face, EN 1092-1 and sanitary tri-clamp
- Long wear-life materials of construction with corrosion-resistant stainless steel and PTFE fluoropolymer-resin seals
- PTFE free version for Food Contact available
- ATEX-certified versions available

TankJet AA190 tank cleaner with air motor



TankJet AA190 spray head for 360° coverage



TankJet AA190 spray head for 180° coverage

SPRAY COVERAGE	
360°	
180° Down	

MOUNTING OPTIONS	
Vertical	
Horizontal	
45° Up	
45° Down	



**SPECIFICATIONS**

TankJet AA190 Tank Cleaner	Standard version	PTFE free version & PTFE free version (FC)
Max. tank diameter:	10 m	7.6 m
Operating principle:	Motor-driven	Motor-driven
Flow rate:	11.8 to 167 l/min	11.8 to 167 l/min
Operating pressure:	7 to 70 bar	7 to 35 bar
Max. temperature:	93 °C	60 °C
Materials:	Seals: EPDM / FFKM, PTFE (graphit filled), PA All other metallurgy: 1.4401 (316 stainless steel )	Seals: EPDM, PE UHMW, PA All other metallurgy: 1.4401 (316 stainless steel)
Inlet connection:	1" NPT or BSPT (F)	1" NPT or BSPT (F)
Motor options:	Air & electric	Air & electric
Electric motors:	230 V, 230/400 V, 50 or 60 Hz, up to IP 66	
ATEX:	available	not available
Optional accessories:	Strainers, recommended mesh size: < 80 µm See chapter E	

**IDEAL FOR CLEANING:**

- Chemical reactors
- Food processing tanks and vats
- Paint tanks
- Pharmaceutical processing vessels
- Process tanks
- Tanker trucks

**PERFORMANCE DATA**

Model AA190		Liquid Flow Capacity (l/min)* Liquid Inlet Pressure						
Nozzle	Capacity Size	7 bar	13.8 bar	20.7 bar	27.6 bar	34.5 bar	48.3 bar **	70 bar **
1/4MEG	0010	11.8	17.3	20	24	27	31	37
	0015	17.9	25	31	36	40	47	56
	0020	23	33	41	47	53	62	74
	0025	29	41	50	58	65	76	—
	0030	34	49	60	69	76	—	—
	0035	39	56	69	80	87	—	—
	0040	44	63	76	91	98	—	—
	0050	53	76	95	106	121	—	—
	0060	62	87	106	125	140	—	—
	0070	69	98	121	140	155	—	—
	0080	75	106	129	151	167	—	—

\*Note: Flow rates tabulated above include pressure drop through unit.

\*\*High-pressure versions only. For additional performance data on high-pressure units, contact your local spray expert.

**PERFORMANCE DATA ONLY FOR SOLID STREAM NOZZLE**

Model AA190		Liquid Flow Capacity (l/min)* Liquid Inlet Pressure						
Nozzle	Capacity Size	7 bar	13.8 bar	20.7 bar	27.6 bar	34.5 bar	48.3 bar	70 bar
D55606	0019	11.1	15.8	19.3	22.3	24.9	29.5	35.2
	0027	15.9	22.4	27.5	31.7	35.5	42.0	50.2
	0036	21.1	29.9	36.6	42.3	47.3	55.9	66.9
	0046	27.1	38.3	46.9	54.1	60.5	71.6	85.6

\*Note: Flow rates tabulated above include pressure drop through unit.

**AIR MOTOR  
CYCLE TIME DATA**

Air Pressure	Approx. Speed (r/min)			Approx. Time for One Complete Cycle (min)		
	Liquid Pressure (bar)					
bar	6.9	34.5	69.0	6.9	34.5	69.0
0.55	4.0	3.3	2.1	8.8	10.5	16.3
0.69	5.5	5.0	4.1	6.4	7.0	8.5
0.83	6.9	6.7	6.1	5.1	5.3	5.7
0.97	8.0	7.9	7.1	4.4	4.4	4.9
1.10	9.1	9.1	8.5	3.9	3.9	4.1

**ELECTRIC MOTOR  
CYCLE TIME DATA**

Type	Volt (V)	Frequency (Hz)	Power max. (W)	IP Rating	Speed (r/min)	Approx. Time for 1 Complete Cycle (min)
Standard	230	50	90	IP56	6.3	5.5
Standard	230/400	50	120	IP65	5.3	6.6
Standard	230/400	60	120	IP66	6.4	5.5
ATEX	230/400	50	120	IP66	5.3	6.6
ATEX	230/400	60	120	IP66	6.4	5.5

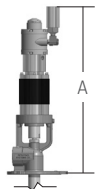
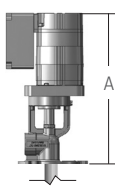
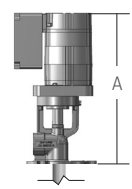
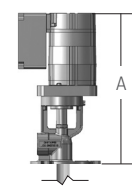


TANK DIA.  
UP TO

**10 m**

**TANKJET® AA190 TANK CLEANER**

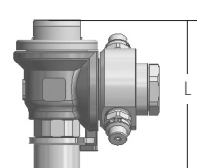
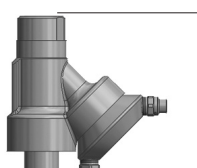
**DIMENSIONS AND WEIGHTS**

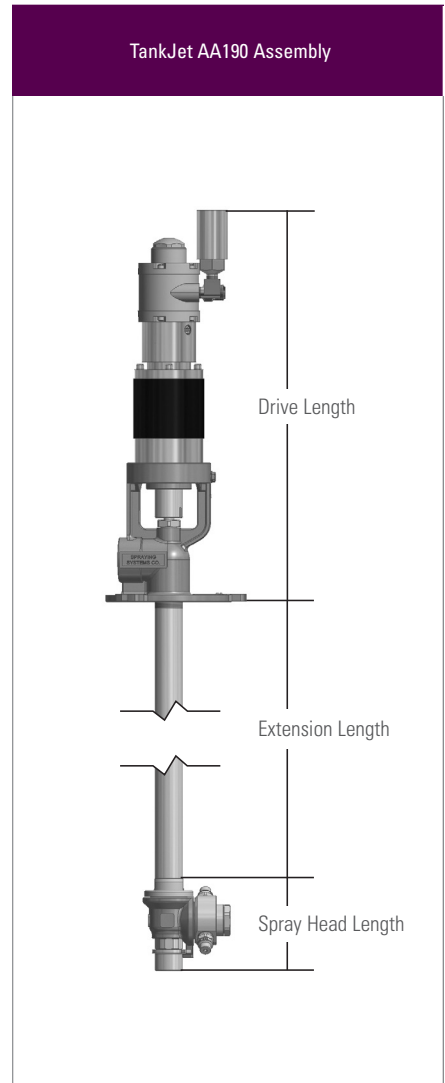
Air motor	Electric motor 230 V	Electric motor 230/400 V 50 and 60 Hz	Electric motor 230/400 V 50 and 60 Hz, ATEX
			
Length: 321 mm Weight: 6.4 kg	Length: 427 mm Weight: 8.4 kg	Length: 335 mm Weight: 13.4 kg	Length: 362 mm Weight: 13.4 kg

\*Extension lengths available from 0.3 m to 3.0 m

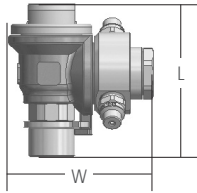

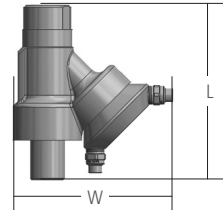
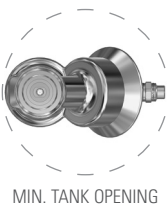
\*\*Add additional weight from the flange options' chart if not using the standard flange.

Extension length	Weight
0.3 m	0.6 kg
0.6 m	1.2 kg
0.9 m	1.8 kg
1.2 m	2.4 kg
1.5 m	3.0 kg
1.8 m	3.6 kg
2.1 m	4.2 kg
2.4 m	4.8 kg
2.7 m	5.4 kg
3.0 m	6.0 kg

TankJet AA190 Spray Head	Spray Coverage	L (mm)	Weight (kg)
	360°	82.6	1.5
	180°	127	1.5







**DIMENSIONS AND WEIGHTS**

TankJet AA190 Spray Head	Model	Spray Coverage	Min. Tank Opening (mm)	L (mm)	W (Dia.) (mm)
 	Standard	360°	85	82.6	81.3
	Small Dia.*	360°	71.5	82.6	71.4
 	Directional	180°	115	127	110.5

\*The 3 in. sanitary flange (3SF) has a modified hub assembly that can fit through a 71.5 mm opening with nozzles oriented in vertical position.

**FLANGE OPTIONS**

Flange Type	Size	Sales Code	Net Weight (kg)**
Three-Prong (std.) 	—	3P	—
Sanitary Tri-Clamp Flange 	3	3SF*	—
	4	4SF	0.1
	6	6SF	1.4

Flange Type	Size	Sales Code	Net Weight (kg)**
EN 1092-1 flange 1.4571 	DN 100	S05	5.7
	DN 65	S06*	3.6
	DN 125	S07	8.4
ASME® 150# Raised Face Flange 	3	3RF	4.8
	4	4RF	7.0
	6	6RF	11.1

\* Use with modified hub assembly for small diameter

\*\*Add additional weight to tank cleaner if not using the standard flange.

**ORDERING INFORMATION**

TANKJET AA190

Contact your local sales engineer for information about TankJet AA190 tank cleaners