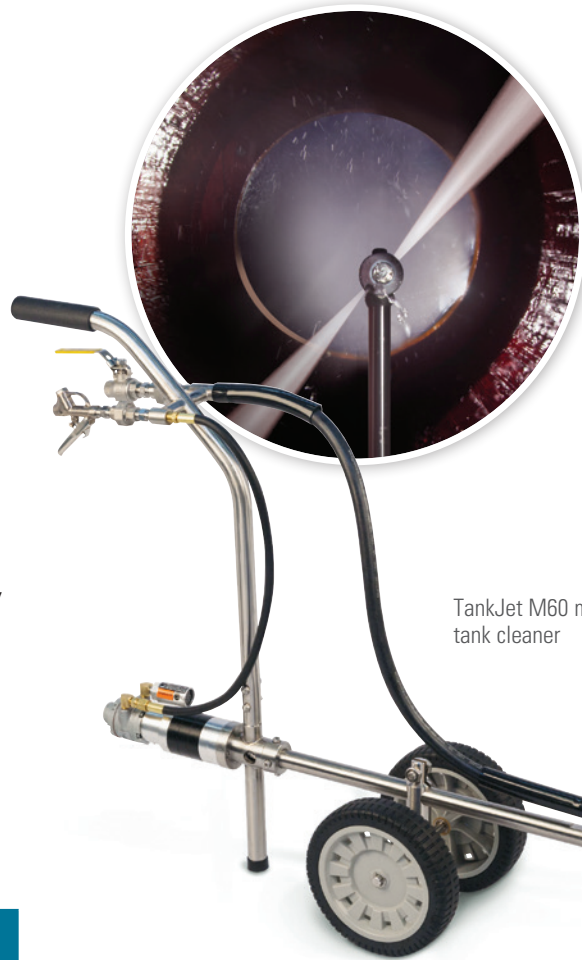


**TANKJET M60 TANK CLEANER
FEATURES AND BENEFITS**

- Powerful cleaning using low flow rates
- Removes tough residues quickly and effectively; solid stream sprays rotate in multiple axes for complete and thorough coverage
- Mobile – can easily be moved from one barrel or drum to the next
- Fast cycle time; less than 5 minutes. One full cycle completed every 16 revolutions
- Compact – fits in openings as small as 1-3/4 in. (44.5 mm) and easily inserted into standard bung hole openings
- Compatible with a variety of pumps including pressure washers
- Material construction in contact with fluid: stainless steel, carbon graphite PTFE-filled PEEK, EPDM, and PTFE
- Non-lubricated, air motor driven for continuous and reliable operation
- Easy to operate and rebuild
- See case study on page F12



HI
HIGH
IMPACT

**SPRAY
COVERAGE**

360°

TankJet M60 mobile tank cleaner

SPECIFICATIONS

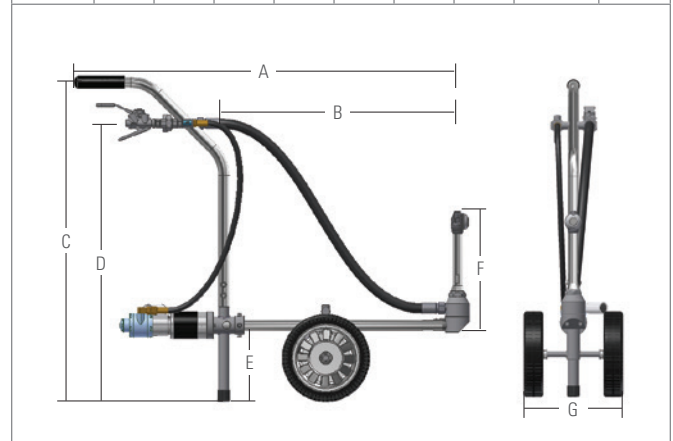
TankJet M60 Tank Cleaner	
Max. tank diameter:	5 ft. (1.5 m)
Operating principle:	Air motor-driven
Flow rate:	1.1 to 10.1 gpm (4.2 to 38 lpm)
Operating pressure:	100 to 1000 psi (6.9 to 69 bar)
Max. temperature:	180°F (82°C)
Materials:	316 stainless steel, carbon graphite PTFE-filled PEEK, EPDM, and PTFE
Liquid connection:	3/8" NPT or BSPT (F)
Air line connection:	1/4" NPT or BSPT (F)
Optional accessories:	Strainers, recommended mesh size: 100 (150 microns) See page G2

IDEAL FOR CLEANING:

- Wine barrels
- Drums and kegs
- Food and beverage barrels
- Chemical and storage barrels
- Small tanks and containers

DIMENSIONS AND WEIGHTS

Model	A in. (mm)	B in. (mm)	C in. (mm)	D in. (mm)	E in. (mm)	F in. (mm)	G in. (mm)	Min Tank Opening in. (mm)	Weight lbs. (kg)
TJM60AG	35.0 (891)	21.4 (543)	29.0 (742)	25.5 (647)	7.0 (177)	10.4 (265)	9.25 (235)	1.75 (44.5)	26 lbs. (11.8 kg)



PERFORMANCE DATA

Model	Orifice Size	Liquid Flow Capacity gpm (lpm)						
		100 psi (6.9 bar)	200 psi (13.8 bar)	300 psi (20.7 bar)	400 psi (27.6 bar)	500 psi (34.5 bar)	700 psi (48.3 bar)	1000 psi (68.9 bar)
TJM60AG	046	1.1 (4.2)	1.6 (6.1)	1.9 (7.1)	2.2 (8.7)	2.5 (9.4)	2.9 (11.2)	3.5 (13.3)
	055	1.6 (6.0)	2.3 (8.8)	2.8 (10.2)	3.2 (12.5)	3.6 (13.4)	4.2 (16.1)	5.0 (19.0)
	060	1.9 (7.2)	2.7 (10.5)	3.3 (12.1)	3.8 (14.8)	4.2 (16.0)	5.0 (19.1)	6.0 (22)
	066	2.3 (8.7)	3.2 (12.7)	4.0 (14.6)	4.6 (17.9)	5.1 (19.4)	6.1 (23)	7.2 (27)
	078	3.2 (12.1)	4.5 (17.7)	5.5 (20)	6.4 (25)	7.2 (27)	8.5 (32)	10.1 (38)

**NON-LUBRICATED AIR MOTOR (AG)
CYCLE TIME DATA**

Air Pressure psi (bar)	Air Consumption scfm (lpm)	Approx. Speed (rpm) 1000 psi/180°F (69 bar/82°C)	Approx. Time for One Complete Cycle (min.)
10.0 (0.7)	3.9 (108)	3.5	4.5
12.0 (0.85)	4.7 (136)	4.5	3.5
15.0 (1.0)	5.9 (162)	6.0	2.7
20 (1.4)	7.8 (224)	9.5	1.7

*Cycle time refers to the time it takes to complete one full cycle.
One full cycle is completed every 16 revolutions.

**ORDERING INFORMATION
TANKJET M60 TANK CLEANER**

<div style="border: 1px solid black; padding: 5px; display: inline-block;">Model*</div> - <div style="border: 1px solid black; padding: 5px; display: inline-block;">Orifice Size</div>	<p>EXAMPLE</p> <div style="border: 1px dashed gray; padding: 5px; display: inline-block;">TJM60AG</div> - <div style="border: 1px dashed gray; padding: 5px; display: inline-block;">055</div>
---	--

*Add B for BSPT connections after the model type.

