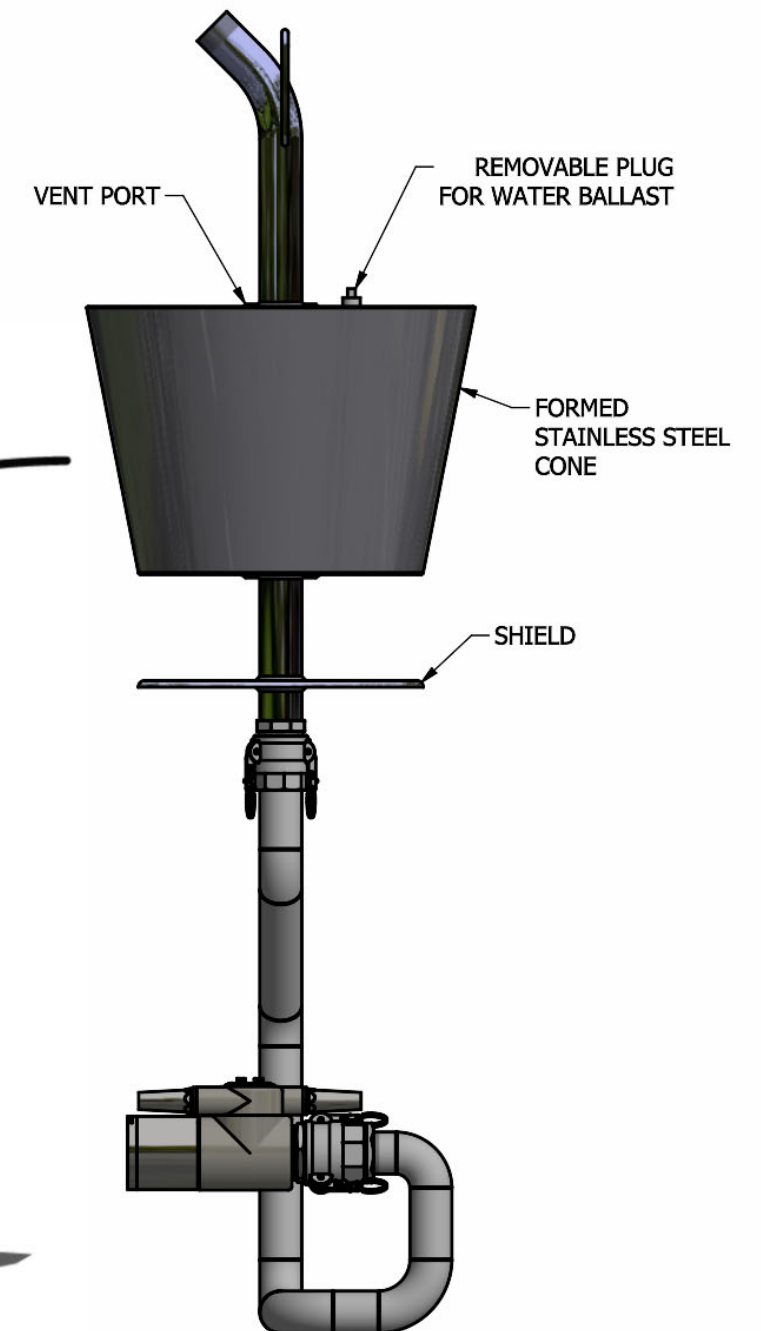


THE TAPERED MANWAY ASSEMBLY IS TYPICALLY USED WITH TANK CLEANING NOZZLES SUCH AS THE TJ360 AND INSTALLED ON TANKER TRUCKS. THEY ARE USED IN APPLICATIONS WHERE HIGH IMPACT CLEANING IS REQUIRED TO REMOVE HEAVY PRODUCT RESIDUES.

FEATURES:

- CAN BE INSTALLED ON TANK OPENINGS BETWEEN 17" AND 21" DIAMETER
- INCLUDES VENT FOR VAPOR RELEASE
- INCLUDES SHIELD TO KEEP LIQUID FROM SPRAYING INTO VENT
- PLUG CAN BE REMOVED AND CONE FILLED WITH LIQUID TO WEIGH DOWN ASSEMBLY IF NECESSARY
- CONNECTION: 2" NPT (M) INLET
- MATERIALS: 304 STAINLESS STEEL
- HORIZONTALLY BALANCED FOR USE WITH TJ360 UNITS FOR MAXIMUM EFFECTIVE CLEANING OF END CAPS OF TANK.



DESCRIPTION:

190200-TJ360-HORIZ
TAPERED MANWAY
FOR TJ360
HORIZONTAL MOUNTING



Spraying Systems Co.[®]

Spray Nozzles and Accessories
P.O. Box 7900 - Wheaton, IL 60187-7901

REVISION NO.

Application No.

190200

REFERENCE:

SHEET:

OF

DWG SIZE:

B