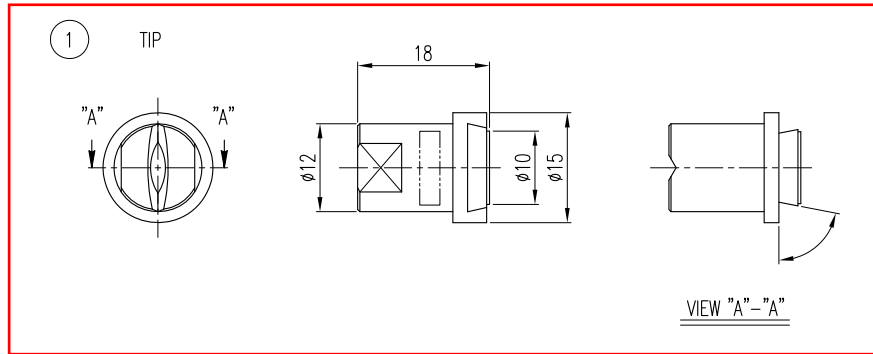
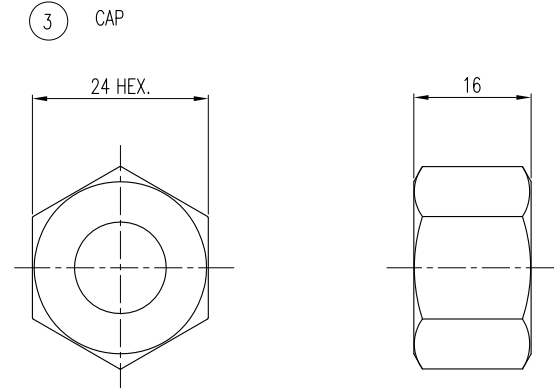
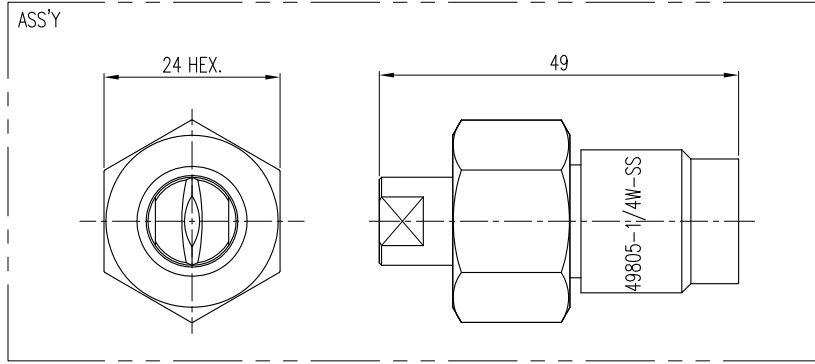
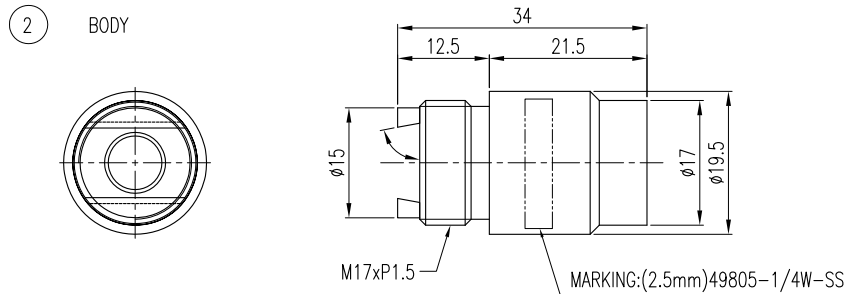


CHECK LIST					ECO NO.	DATE	REVISION & DESCRIPTION	REVWED	CHECKED
LENGTH	ITEM NAME	CONNECTOR	CAPACITY						
WIDTH	MARKING	ORIFICE	COMMENT						



ORDERING INFO

SPRAY NOZZLE TIP			
49807	- SS -	65	20
Nozzle Tip Type	Material (SUS303)	SPEC. (각도)	SPEC. (용량크기)



3	CAP(KCA167042-SS)	SUS303		
2	BODY(KBO167042-304SS)	SUS304		
1	TIP(KDTP____-SS 167042)	SUS303		
ITEM	COMPONENT	MATERIAL	Q'TY	REMARKS
DESC.	KDT167042-SS____	CUSTOMER : _____		
	DOVE TAIL NOZZLE	_____		

지시의 용접치수 절삭가공치수의 지시와 일반치수 허용차 (KS B ISO2768-1 중급)

구분	0.5 이상 3 이하	3 을초과 6 이하	6 을초과 30 이하	30 을초과 120 이하	120 을초과 400 이하
허용차	±0.1	±0.1	±0.2	±0.3	±0.5

지시와 모서리부분 SURFACE ROUGHNESS (KS B 0617)

다듬질기호	~	▽	▽▽	▽▽▽	▽▽▽▽
Rmax		100S	25S	6.3S	0.8S

SPECIFICATION

PRESSURE (XXX) (kg/cm ²)	SPRAY ANGLE (±7°)
	(xxx)~(xxx)~(xxx)
	(XXX)~(XXX)~(XXX)
	CAPACITY (ℓ/min ±7%)

APP BY. B.S.KIM CH BY. J.M.LEE DES BY. H.D.KIM

PRODUCT NAME : XXXXXX

SCALE : 1:1 CREATE DATE : 2016.05.26

THIRD ANGLE DWG. NO. : 56167-042-A1

Spraying Systems Co., Korea
Experts in Spray Technology



PERFORMANCE - 18897 DOVETAIL NOZZLES

*압력 단위는 bar

Spray Tip No.		Equiv. Orifice Dia. (mm)	Capacity (Liters per minute)*							Spray Angle Degree*	
Spray Tip Prefix	Spray Tip Size		0.5	1	2	4	6	8	10	3	5
49807-	1520	2.8	3.2	4.6	6.4	9.1	11.2	12.9	14.4	15	19
	1525	3.2	4.0	5.7	8.1	11.4	14.0	16.1	18.0	15	19
	1530	3.6	4.8	6.8	9.7	13.7	16.7	19.3	22	15	19
	1540	4.0	6.4	9.1	12.9	18.2	22	26	29	15	19
	1550	4.4	8.1	11.4	16.1	23	28	32	36	15	19
	1560	4.8	9.7	13.7	19.3	27	33	39	43	15	19
	1580	5.6	12.9	18.2	26	36	45	52	58	15	19
	15120	6.8	19.3	27	39	55	67	77	86	15	17
49807-	2520	2.8	3.2	4.6	6.4	9.1	11.2	12.9	14.4	25	32
	2525	3.2	4.0	5.7	8.1	11.4	14.0	16.1	18.0	25	32
	2530	3.6	4.8	6.8	9.7	13.7	16.7	19.3	22	25	32
	2540	4.0	6.4	9.1	12.9	18.2	22	26	29	25	32
	2550	4.4	8.1	11.4	16.1	23	28	32	36	25	32
	2560	4.8	9.7	13.7	19.3	27	33	39	43	25	33
	2580	5.6	12.9	18.2	26	36	45	52	58	25	33
	25100	6.4	16.2	23	32	46	56	64	72	25	33
	25120	6.8	19.3	27	39	55	67	77	86	25	33
	25200	8.7	32	46	64	91	112	129	144	25	33
49807-	4020	2.8	3.2	4.6	6.4	9.1	11.2	12.9	14.4	40	45
	4025	3.2	4.0	5.7	8.1	11.4	14.0	16.1	18.0	40	45
	4030	3.6	4.8	6.8	9.7	13.7	16.7	19.3	22	40	45
	4040	4.0	6.4	9.1	12.9	18.2	22	26	29	40	45
	4050	4.4	8.1	11.4	16.1	23	28	32	36	40	43
	4060	4.8	9.7	13.7	19.3	27	33	39	43	40	43
	4080	5.6	12.9	18.2	26	36	45	52	58	40	43
	4090	6.0	14.6	21	29	41	50	58	65	40	43
	40100	6.4	16.2	23	32	46	56	64	72	40	43
	40120	6.8	19.3	27	39	55	67	77	86	40	43
40200	8.7	32	46	64	91	112	129	144	40	44	
49807-	5020	2.8	3.2	4.6	6.4	9.1	11.2	12.9	14.4	50	55
	5025	3.2	4.0	5.7	8.1	11.4	14.0	16.1	18.0	50	54
	5030	3.6	4.8	6.8	9.7	13.7	16.7	19.3	22	50	54
	5040	4.0	6.4	9.1	12.9	18.2	22	26	29	50	53
	5050	4.4	8.1	11.4	16.1	23	28	32	36	50	53
	5060	4.8	9.7	13.7	19.3	27	33	39	43	50	53
	5080	5.6	12.9	18.2	26	36	45	52	58	50	53
	50120	6.8	19.3	27	39	55	67	77	86	50	53
	50200	8.7	32	46	64	91	112	129	144	50	52



LUBRICATION / COOLING STRIP WASH-OFF

18897 Dovetail **VeeJet®**

PERFORMANCE - 18897 DOVETAIL NOZZLES

*압력 단위는 bar

Spray Tip No.		Equiv. Orifice Dia. (mm)	Capacity (Liters per minute)*							Spray Angle Degree*	
Spray Tip Prefix	Spray Tip Size		0.5	1	2	4	6	8	10	3	5
49807-	6520	2.8	3.2	4.6	6.4	9.1	11.2	12.9	14.4	65	72
	6525	3.2	4.0	5.7	8.1	11.4	14.0	16.1	18.0	65	72
	6530	3.6	4.8	6.8	9.7	13.7	16.7	19.3	22	65	72
	6540	4.0	6.4	9.1	12.9	18.2	22	26	29	65	72
	6550	4.4	8.1	11.4	16.1	23	28	32	36	65	73
	6560	4.8	9.7	13.7	19.3	27	33	39	43	65	73
	6580	5.6	12.9	18.2	26	36	45	52	58	65	74
	65100	6.4	16.2	23	32	46	56	64	72	65	72
	65120	6.8	19.3	27	39	55	67	77	86	65	69
65200	8.7	32	46	64	91	112	129	144	65	69	
49807-	8020	2.8	3.2	4.6	6.4	9.1	11.2	12.9	14.4	80	83
	8025	3.2	4.0	5.7	8.1	11.4	14.0	16.1	18.0	80	84
	8030	3.6	4.8	6.8	9.7	13.7	16.7	19.3	22	80	84
	8040	4.0	6.4	9.1	12.9	18.2	22	26	29	80	85
	8050	4.4	8.1	11.4	16.1	23	28	32	36	80	85
	8060	4.8	9.7	13.7	19.3	27	33	39	43	80	86
	8080	5.6	12.9	18.2	26	36	45	52	58	80	89
	80120	6.8	19.3	27	39	55	67	77	86	80	83
	80200	8.7	32	46	64	91	112	129	144	80	82
49807-	11020	2.8	3.2	4.6	6.4	9.1	11.2	12.9	14.4	110	117
	11025	3.2	4.0	5.7	8.1	11.4	14.0	16.1	18.0	110	117
	11030	3.6	4.8	6.8	9.7	13.7	16.7	19.3	22	110	117
	11040	4.0	6.4	9.1	12.9	18.2	22	26	29	110	117
	11050	4.4	8.1	11.4	16.1	23	28	32	36	110	117
	11060	4.8	9.7	13.7	19.3	27	33	39	43	110	116
	11080	5.6	12.9	18.2	26	36	45	52	58	110	116
	110120	6.8	19.3	27	39	55	67	77	86	110	116
110200	8.7	32	46	64	91	112	129	144	110	116	



Spraying Systems Co.®
Experts in Spray Technology

VISIT OUR WEB SITE: WWW.SPRAY.CO.KR
EMAIL: INFO@SPRAY.CO.KR