



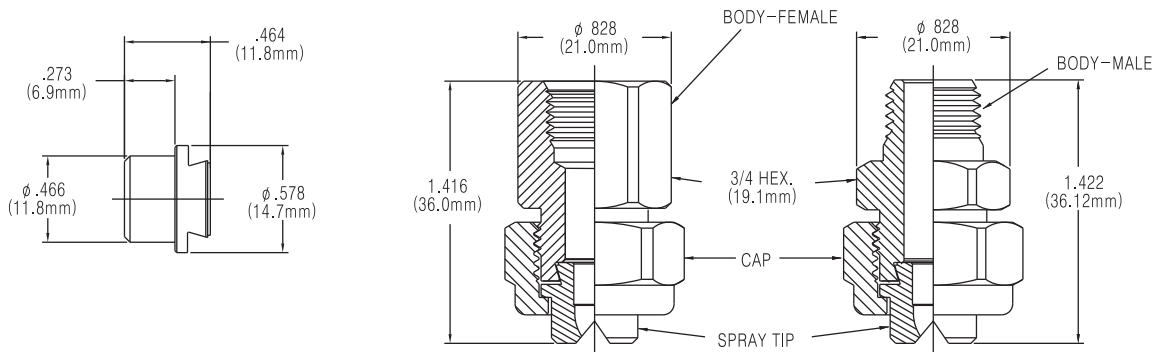
## DOVETAIL VEEJET NOZZLES - 일정하고 반복적인 스프레이가 스틸 품질 개선에 기여

1/4"와 3/8" Dovetail VeeJet 노즐에서 Dovetail 홈의 특징은 고무 seal이 없이 반복적인 패턴의 포지셔닝을 제공하는데 있다. 자가 배열(Self-Aligning) 및 호환이 가능한 스프레이 팁은 노즐 분해 후에도 매번 정확히 배열되도록 5°의 오프셋으로 되어있다. 스프레이 팁은 Body 안으로 미끄러져 제자리에 위치하여 캡의 조립을 용이하게 하고 팁을 안정되게 고정한다.

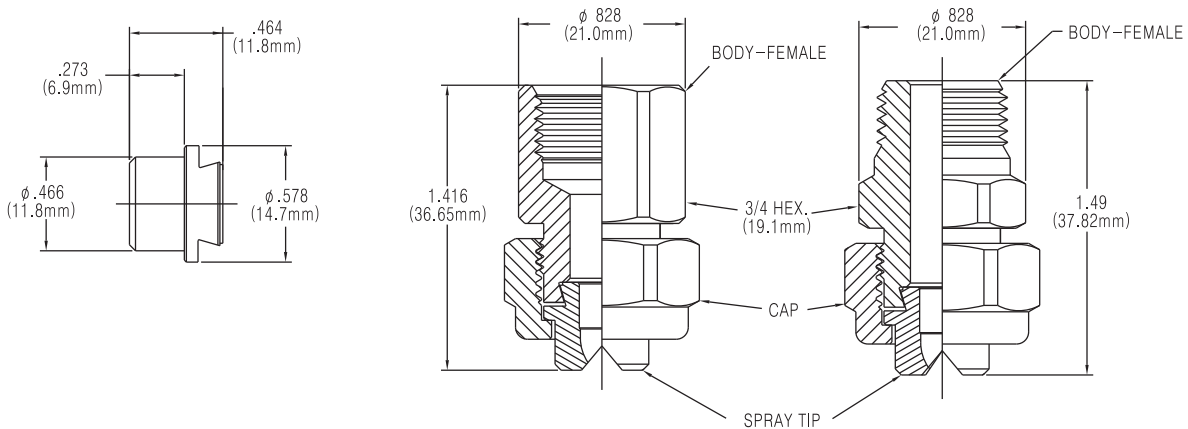


- 40 psi에서 0.067 ~ 0.80 gpm (3bar에서 0.26 ~3.03 l /min) 범위의 소유량 버전
- 40 psi 에서 0.80 ~ 7 gpm (3 bar에서 3.03 ~27.63 l /min) 범위의 대유량 버전
- Brass, 303 또는 316 Stainless Steel 재질 선택 가능
- 65°, 80°, 95° 그리고 110°의 스프레이 각도

### DIMENSIONS - 1/4" 50870 DOVETAIL



### DIMENSIONS - 3/8" 49805 DOVETAIL





# LUBRICATION / COOLING / STRIP WASH-OFF



## PERFORMANCE

\*압력 단위는 bar

Spray Nozzle No.	Capacity size	Equiv. Orifice Diam. (mm)	Capacity ( Liter per minute)										Spray Angle Degree		
			0.3	1	2	3	4	5	6	7	10	20	1.5	3	6
49805-1/4-110	01	.66	.12	.23	.32	.39	.46	.51	.56	.60	.72	1.0	94	110	121
	015	.81	.19	.34	.48	.59	.68	.76	.84	.90	1.1	1.5	97	110	121
	02	.91	.24	.46	.64	.79	.91	1.0	1.1	1.2	1.4	2.0	98	110	120
	03	1.1	.37	.68	.97	1.2	1.4	1.5	1.7	1.8	2.2	3.1	99	110	102
	04	1.3	.50	.91	1.3	1.6	1.8	2.0	2.2	2.4	2.9	4.1	100	110	119
	05	1.4	.62	1.1	1.6	2.0	2.3	2.5	2.8	3.0	3.6	5.1	100	110	118
	06	1.5	.75	1.4	1.9	2.4	2.7	3.1	3.3	3.6	4.3	6.1	101	110	117
	08	1.8	1.0	1.8	2.6	3.2	3.6	4.1	4.5	4.8	5.8	8.2	102	110	117
	10	2.0	1.2	2.3	3.2	3.9	4.6	5.1	5.6	6.0	7.2	10.2	103	110	117
	15	2.4	1.9	3.4	4.8	5.9	6.8	7.6	8.4	9.0	10.8	15.3	104	110	117
	20	2.8	2.5	4.6	6.5	7.9	9.1	10.2	11.2	12.1	14.4	20	105	110	117
	25	3.1	3.1	5.7	8.1	9.9	11.4	12.8	13.9	15.1	18.2	25	105	110	117
	30	3.4	3.7	6.8	9.7	11.8	13.7	15.3	16.7	18.1	22	31	105	110	117
49805-1/4-95	01	.66	.12	.23	.32	.39	.46	.51	.56	.60	.72	1.0	81	95	105
	015	.81	.19	.34	.48	.59	.68	.76	.84	.90	1.1	1.5	82	95	105
	02	.91	.24	.46	.64	.79	.91	1.0	1.1	1.2	1.4	2.0	82	95	105
	03	1.1	.37	.68	.97	1.2	1.4	1.5	1.7	1.8	2.2	3.1	83	95	104
	04	1.3	.50	.91	1.3	1.6	1.8	2.0	2.2	2.4	2.9	4.1	84	95	103
	05	1.4	.62	1.1	1.6	2.0	2.3	2.5	2.8	3.0	3.6	5.1	84	95	102
	06	1.5	.75	1.4	1.9	2.4	2.7	3.1	3.3	3.6	4.3	6.1	86	95	101
	08	1.8	1.0	1.8	2.6	3.2	3.6	4.1	4.5	4.8	5.8	8.2	87	95	100
	10	2.0	1.2	2.3	3.2	3.9	4.6	5.1	5.6	6.0	7.2	10.2	89	95	100
	15	2.4	1.9	3.4	4.8	5.9	6.8	7.6	8.4	9.0	10.8	15.3	90	95	100
	20	2.8	2.5	4.6	6.5	7.9	9.1	10.2	11.2	12.1	14.4	20	90	95	100
	30	3.4	3.7	6.8	9.7	11.8	13.7	15.3	16.7	18.1	22	31	91	95	101
	40	3.8	5.0	9.1	12.9	15.8	18.2	20	22	24	29	41	92	95	100
	50	4.4	6.2	11.4	16.1	19.7	23	25	28	30	36	51	93	95	99
	60	4.8	7.5	13.7	19.3	24	27	31	33	36	43	61	93	95	99
70	5.2	8.7	16.0	23	32	39	46	51	56	60	72	93	95	99	
100	6.2	12.5	23	32	39	46	51	56	60	72	102	93	95	99	
150	7.5	18.7	34	48	59	68	76	84	90	108	153	93	95	99	
49805-1/4-80	01	.66	.12	.23	.32	.39	.46	.51	.56	.60	.72	1.0	61	80	95
	015	.81	.19	.34	.48	.59	.68	.76	.84	.90	1.1	1.5	67	80	94
	02	.91	.24	.46	.64	.79	.91	1.0	1.1	1.2	1.4	2.0	68	80	89
	03	1.1	.37	.68	.97	1.2	1.4	1.5	1.7	1.8	2.2	3.1	68	80	89
	04	1.3	.50	.91	1.3	1.6	1.8	2.0	2.2	2.4	2.9	4.1	69	80	88
	05	1.4	.62	1.1	1.6	2.0	2.3	2.5	2.8	3.0	3.6	5.1	70	80	87
	06	1.5	.75	1.4	1.9	2.4	2.7	3.1	3.3	3.6	4.3	6.1	71	80	86
	08	1.8	1.0	1.8	2.6	3.2	3.6	4.1	4.5	4.8	5.8	8.2	71	80	86
	10	2.0	1.2	2.3	3.2	3.9	4.6	5.1	5.6	6.0	7.2	10.2	72	80	85
	15	2.4	1.9	3.4	4.8	5.9	6.8	7.6	8.4	9.0	10.8	15.3	72	80	84
	20	2.8	2.5	4.6	6.5	7.9	9.1	10.2	11.2	12.1	14.4	20	73	80	84
	30	3.4	3.7	6.8	9.7	11.8	13.7	15.3	16.7	18.1	22	31	74	80	83
	40	3.8	5.0	9.1	12.9	15.8	18.2	20	22	24	29	41	74	80	83
	50	4.4	6.2	11.4	16.1	19.7	23	25	28	30	36	51	74	80	83
	60	4.8	7.5	13.7	19.3	24	27	31	33	36	43	61	75	80	83
70	5.2	8.7	16.0	23	32	39	46	51	56	60	72	75	80	83	
100	6.2	12.5	23	32	39	46	51	56	60	72	102	75	80	83	
150	7.5	18.7	34	48	59	68	76	84	90	108	153	75	80	83	





# LUBRICATION / COOLING / STRIP WASH-OFF



## PERFORMANCE

\*압력 단위는 bar

Spray Nozzle No.	Capacity Size	Equiv. Orifice Diam. (mm.)	Capacity (Liters per minute)*										Spray Angle Degree*		
			0.3	1	2	3	4	5	6	7	10	20	1.5	3	6
<b>49805-1/4-73</b>	0231	.96	.29	.53	.74	.91	1.1	1.2	1.3	1.4	1.7	2.4	56	73	83
	0308	1.1	.38	.70	.99	1.2	1.4	1.6	1.7	1.9	2.2	3.1	58	73	82
	0462	1.4	.58	1.1	1.5	1.8	2.1	2.4	2.6	2.8	3.3	4.7	60	73	80
	0770	1.7	.96	1.8	2.5	3.0	3.5	3.9	4.3	4.6	5.5	7.8	64	73	77
<b>49805-1/4-65</b>	01	.66	—	.23	.32	.39	.46	.51	.56	.60	.72	1.0	51	65	74
	015	.81	—	.4	.48	.59	.68	.76	.84	.90	1.1	1.5	51	65	74
	02	.91	.25	.46	.64	.79	.91	1.0	1.1	1.2	1.4	2.0	52	65	73
	025	.99	.31	.57	.81	.99	1.1	1.3	1.4	1.5	1.8	2.5	80	65	73
	03	1.1	.37	.68	.97	1.2	1.4	1.5	1.7	1.8	2.2	3.1	53	65	72
	04	1.3	.50	.91	1.3	1.6	1.8	2.0	2.2	2.4	2.9	4.1	53	65	72
	05	1.4	.62	1.1	1.6	2.0	2.3	2.5	2.8	3.0	3.6	5.1	53	65	72
	06	1.5	.75	1.4	1.9	2.4	2.7	3.1	3.3	3.6	4.3	6.1	54	65	72
	08	1.8	1.0	1.8	2.6	3.2	3.6	4.1	4.5	4.8	5.8	8.2	55	65	71
	10	2.0	1.2	2.3	3.2	3.9	4.6	5.1	5.6	6.0	7.2	10.2	56	65	71
	15	2.4	1.9	3.4	4.8	5.9	6.8	7.6	8.4	9.0	10.8	15.3	56	65	70
	20	2.8	2.5	4.6	6.5	7.9	9.1	10.2	11.2	12.1	14.4	20	57	65	70
	30	3.4	3.7	6.8	9.7	11.8	13.7	15.3	16.7	18.1	22	31	58	65	69
	40	3.9	5.0	9.1	12.9	15.8	18.2	20	22	24	29	41	59	65	68
	50	4.4	6.2	11.4	16.1	19.7	23	25	28	30	36	51	60	65	68
	60	4.8	7.5	1.7	19.3	24	27	31	33	36	43	61	60	65	68
	70	5.2	8.7	16.0	23	28	32	36	39	42	50	71	60	65	68
100	6.2	12.5	23	32	39	46	51	56	60	72	102	58	65	68	
150	7.5	18.7	34	48	59	68	76	84	90	108	15	59	65	68	
200	8.7	25	46	64	79	91	102	112	121	144	205	60	65	67	
<b>49805-1/4-50</b>	01	.66	—	.23	.32	.39	.46	.51	.56	.60	.72	1.0	37	50	59
	02	.91	—	.46	.64	.79	.91	1.0	1.1	1.2	1.4	2.0	39	50	57
	03	1.1	.37	.68	.97	1.2	1.4	1.5	1.7	1.8	2.2	3.1	40	50	56
	04	1.3	.50	.91	1.3	1.6	1.8	2.0	2.2	2.4	2.9	4.1	42	50	56
	05	1.4	.62	1.1	1.6	2.0	2.3	2.5	2.8	3.0	3.6	5.1	44	50	56
	06	1.5	.75	1.4	1.9	2.4	2.7	3.1	3.3	3.6	4.3	6.1	45	50	56
	08	1.8	1.0	1.8	2.6	3.2	3.6	4.1	4.5	4.8	5.8	8.2	45	50	55
	10	2.0	1.2	2.3	3.2	3.9	4.6	5.1	5.6	6.0	7.2	10.2	45	50	55
	15	2.4	1.9	3.4	4.8	5.9	6.8	7.6	8.4	9.0	10.8	15.3	45	50	55
	20	2.8	2.5	4.6	6.5	7.9	9.1	10.2	11.2	12.1	14.4	20	45	50	55
	30	3.4	3.7	6.8	9.7	11.8	13.7	15.3	16.7	18.1	22	31	45	50	55
	40	3.9	5.0	9.1	12.9	15.8	18.2	20	22	24	29	41	46	50	54
	50	4.4	6.2	11.4	16.1	19.7	23	25	28	30	36	51	46	50	54
	60	4.8	7.5	1.7	19.3	24	27	31	33	36	43	61	46	50	54
	70	5.2	8.7	16.0	23	28	32	36	39	42	50	71	46	50	54
	100	6.2	12.5	23	32	39	46	51	56	60	72	102	44	50	52
	120	6.7	15.0	27	39	47	55	61	67	72	86	122	44	50	53
150	7.5	18.7	34	48	59	68	76	84	90	108	15	45	50	52	
200	8.7	25	46	64	79	91	102	112	121	144	205	46	50	52	

\*압력 단위는 bar



PERFORMANCE

\*압력 단위는 bar

Spray Nozzle No.	Capacity size	Equiv. Orifice Diam. (mm)	Capacity ( Liter per minute)										Spray Angle Degree		
			0.3	1	2	3	4	5	6	7	10	20	1.5	3	6
49805-1/4-40	01	.66	.12	.23	.32	.39	.46	.51	.56	.60	.72	1.0	26	40	52
	015	.81	.19	.34	.48	.59	.68	.76	.84	.90	1.1	1.5	27	40	52
	02	.91	.24	.46	.64	.79	.91	1.0	1.1	1.2	1.4	2.0	29	40	51
	03	1.1	.37	.68	.97	1.2	1.4	1.5	1.7	1.8	2.2	3.1	30	40	50
	04	1.3	.50	.91	1.3	1.6	1.8	2.0	2.2	2.4	2.9	4.1	30	40	50
	05	1.4	.62	1.1	1.6	2.0	2.3	2.5	2.8	3.0	3.6	5.1	31	40	49
	06	1.5	.75	1.4	1.9	2.4	2.7	3.1	3.3	3.6	4.3	6.1	31	40	49
	08	1.8	1.0	1.8	2.6	3.2	3.6	4.1	4.5	4.8	5.8	8.2	31	40	47
	10	2.0	1.2	2.3	3.2	3.9	4.6	5.1	5.6	6.0	7.2	10.2	32	40	45
	15	2.4	1.9	3.4	4.8	5.9	6.8	7.6	8.4	9.0	10.8	15.3	32	40	45
	20	2.8	2.5	4.6	6.5	7.9	9.1	10.2	11.2	12.1	14.4	20	32	40	45
	30	3.4	3.7	6.8	9.7	11.8	13.7	15.3	16.7	18.1	22	31	33	40	45
	40	3.8	5.0	9.1	12.9	15.8	18.2	20	22	24	29	41	34	40	45
	50	4.4	6.2	11.4	16.1	19.7	23	25	28	30	36	51	35	40	45
	60	4.8	7.5	13.7	19.3	24	27	31	33	36	43	61	35	40	45
	70	5.2	8.7	16.0	23	32	39	46	51	56	60	72	35	40	45
100	6.2	12.5	23	32	39	46	51	56	60	72	102	35	40	45	
150	7.5	18.7	34	48	59	68	76	84	90	108	153	34	40	44	
49805-1/4-30	01	.66	.12	.23	.32	.39	.46	.51	.56	.60	.72	1.0	17	30	42
	015	.81	.19	.34	.48	.59	.68	.76	.84	.90	1.1	1.5	18	30	42
	02	.91	.24	.46	.64	.79	.91	1.0	1.1	1.2	1.4	2.0	19	30	41
	03	1.1	.37	.68	.97	1.2	1.4	1.5	1.7	1.8	2.2	3.1	20	30	40
	04	1.3	.50	.91	1.3	1.6	1.8	2.0	2.2	2.4	2.9	4.1	20	30	39
	05	1.4	.62	1.1	1.6	2.0	2.3	2.5	2.8	3.0	3.6	5.1	21	30	38
	06	1.5	.75	1.4	1.9	2.4	2.7	3.1	3.3	3.6	4.3	6.1	21	30	36
	08	1.8	1.0	1.8	2.6	3.2	3.6	4.1	4.5	4.8	5.8	8.2	21	30	35
	10	2.0	1.2	2.3	3.2	3.9	4.6	5.1	5.6	6.0	7.2	10.2	22	30	35
	15	2.4	1.9	3.4	4.8	5.9	6.8	7.6	8.4	9.0	10.8	15.3	22	30	35
	20	2.8	2.5	4.6	6.5	7.9	9.1	10.2	11.2	12.1	14.4	20	24	30	35
	25	3.1	3.1	5.7	8.1	9.9	11.4	12.8	13.9	15.1	18.2	25	24	30	35
	30	3.4	3.7	6.8	9.7	11.8	13.7	15.3	16.7	18.1	22	31	24	30	35
	40	3.8	5.0	9.1	12.9	15.8	18.2	20	22	24	29	41	25	30	35
	50	4.4	6.2	11.4	16.1	19.7	23	25	28	30	36	51	25	30	35
	60	4.8	7.5	13.7	19.3	24	27	31	33	36	43	61	25	30	35
70	5.2	8.7	16.0	23	32	39	46	51	56	60	72	25	30	35	
100	6.2	12.5	23	32	39	46	51	56	60	72	102	25	30	35	
150	7.5	18.7	34	48	59	68	76	84	90	108	153	26	30	34	



# LUBRICATION / COOLING / STRIP WASH-OFF

Dovetail **VeeJet**®

## PERFORMANCE

\*압력 단위는 bar

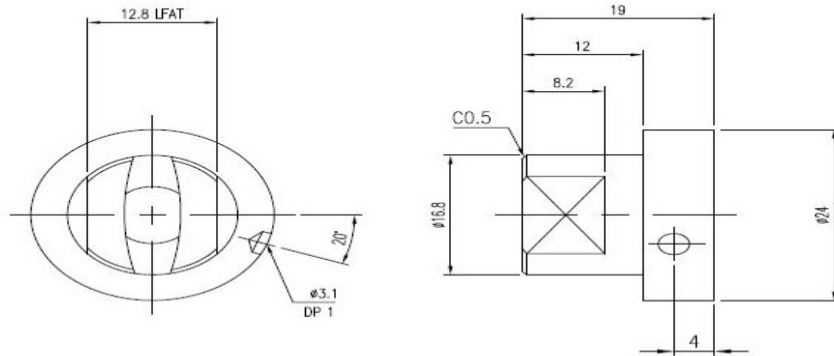
Spray Nozzle No.	Capacity size	Equiv. Orifice Diam. (mm)	Capacity ( Liter per minute)										Spray Angle Degree		
			0.3	1	2	3	4	5	6	7	10	20	1.5	3	6
49805-1/4-25	01	.66	.12	.23	.32	.39	.46	.51	.56	.60	.72	1.0	14	25	34
	015	.81	.19	.34	.48	.59	.68	.76	.84	.90	1.1	1.5	15	25	33
	02	.91	.24	.46	.64	.79	.91	1.0	1.1	1.2	1.4	2.0	15	25	33
	03	1.1	.37	.68	.97	1.2	1.4	1.5	1.7	1.8	2.2	3.1	16	25	32
	04	1.3	.50	.91	1.3	1.6	1.8	2.0	2.2	2.4	2.9	4.1	16	25	32
	05	1.4	.62	1.1	1.6	2.0	2.3	2.5	2.8	3.0	3.6	5.1	17	25	31
	06	1.5	.75	1.4	1.9	2.4	2.7	3.1	3.3	3.6	4.3	6.1	17	25	31
	08	1.8	1.0	1.8	2.6	3.2	3.6	4.1	4.5	4.8	5.8	8.2	18	25	31
	10	2.0	1.2	2.3	3.2	3.9	4.6	5.1	5.6	6.0	7.2	10.2	18	25	31
	15	2.4	1.9	3.4	4.8	5.9	6.8	7.6	8.4	9.0	10.8	15.3	19	25	31
	20	2.8	2.5	4.6	6.5	7.9	9.1	10.2	11.2	12.1	14.4	20	20	25	30
	30	3.4	3.7	6.8	9.7	11.8	13.7	15.3	16.7	18.1	22	31	21	25	29
	40	3.8	5.0	9.1	12.9	15.8	18.2	20	22	24	29	41	21	25	29
	50	4.4	6.2	11.4	16.1	19.7	23	25	28	30	36	51	22	25	29
	60	4.8	7.5	13.7	19.3	24	27	31	33	36	43	61	22	25	28
	70	5.2	8.7	16.0	23	32	39	46	51	56	60	72	23	25	28
100	6.2	12.5	23	32	39	46	51	56	60	72	102	24	25	26	
150	7.5	18.7	34	48	59	68	76	84	90	108	153	24	25	26	
49805-1/4-15	01	.66	.12	.23	.32	.39	.46	.51	.56	.60	.72	1.0	6	15	24
	015	.81	.19	.34	.48	.59	.68	.76	.84	.90	1.1	1.5	6	15	22
	02	.91	.24	.46	.64	.79	.91	1.0	1.1	1.2	1.4	2.0	6	15	22
	03	1.1	.37	.68	.97	1.2	1.4	1.5	1.7	1.8	2.2	3.1	7	15	21
	04	1.3	.50	.91	1.3	1.6	1.8	2.0	2.2	2.4	2.9	4.1	7	15	21
	05	1.4	.62	1.1	1.6	2.0	2.3	2.5	2.8	3.0	3.6	5.1	8	15	21
	06	1.5	.75	1.4	1.9	2.4	2.7	3.1	3.3	3.6	4.3	6.1	9	15	20
	08	1.8	1.0	1.8	2.6	3.2	3.6	4.1	4.5	4.8	5.8	8.2	10	15	19
	10	2.0	1.2	2.3	3.2	3.9	4.6	5.1	5.6	6.0	7.2	10.2	10	15	19
	15	2.4	1.9	3.4	4.8	5.9	6.8	7.6	8.4	9.0	10.8	15.3	10	15	19
	20	2.8	2.5	4.6	6.5	7.9	9.1	10.2	11.2	12.1	14.4	20	10	15	19
	30	3.4	3.7	6.8	9.7	11.8	13.7	15.3	16.7	18.1	22	31	11	15	18
	40	3.8	5.0	9.1	12.9	15.8	18.2	20	22	24	29	41	11	15	18
	50	4.4	6.2	11.4	16.1	19.7	23	25	28	30	36	51	11	15	18
	60	4.8	7.5	13.7	19.3	24	27	31	33	36	43	61	13	15	17
	70	5.2	8.7	16.0	23	32	39	46	51	56	60	72	13	15	17
100	6.2	12.5	23	32	39	46	51	56	60	72	102	13	15	17	
150	7.5	18.7	34	48	59	68	76	84	90	108	153	14	15	17	





PERFORMANCE — KSS - - 26SP

\*압력 단위는 bar



Spray Nozzle No.	Capacity size	Equiv. Orifice Diam. (mm)	Capacity ( Liter per minute)										Spray Angle Degree		
			0.3	1	2	3	4	5	6	7	10	20	1.5	3	6
KSS - - 26SP	0039	.66	.12	.23	.32	.39	.46	.51	.56	.60	.72	1.0	15	26	35
	0059	.81	.19	.34	.48	.59	.68	.76	.84	.90	1.1	1.5	16	26	34
	0079	.91	.24	.46	.64	.79	.91	1.0	1.1	1.2	1.4	2.0	16	26	34
	012	1.1	.37	.68	.97	1.2	1.4	1.5	1.7	1.8	2.2	3.1	16	26	33
	016	1.3	.50	.91	1.3	1.6	1.8	2.0	2.2	2.4	2.9	4.1	17	26	33
	02	1.4	.62	1.1	1.6	2.0	2.3	2.5	2.8	3.0	3.6	5.1	17	26	33
	024	1.5	.75	1.4	1.9	2.4	2.7	3.1	3.3	3.6	4.3	6.1	17	26	32
	032	1.8	1.0	1.8	2.6	3.2	3.6	4.1	4.5	4.8	5.8	8.2	17	26	32
	039	2.0	1.2	2.3	3.2	3.9	4.6	5.1	5.6	6.0	7.2	10.2	17	26	32
	059	2.4	1.9	3.4	4.8	5.9	6.8	7.6	8.4	9.0	10.8	15.3	17	26	32
	079	2.8	2.5	4.6	6.5	7.9	9.1	10.2	11.2	12.1	14.4	20	17	26	32
	12	3.4	3.7	6.8	9.7	11.8	13.7	15.3	16.7	18.1	22	31	17	26	32
	16	3.8	5.0	9.1	12.9	15.8	18.2	20	22	24	29	41	18	26	32
	21	4.4	8.3	13.6	18.2	21	25	27	30	32	38	51	18	26	32
	26	4.8	7.5	15.7	21	26	29	32	35	38	45	61	19	26	32
	32	5.2	8.7	16.0	23	32	39	46	51	56	60	72	20	26	32
37	6.2	12.5	23	32	37	46	51	56	60	72	102	21	26	32	
59	7.5	18.7	34	48	59	68	76	84	90	108	153	21	26	31	

ORDERING INFO

ENTRY VeeJet SPRAY NOZZLE		
KSS	21	26 SP
Nozzle Name	Capacity Size	Spray Angle