



## ***NEW*** DESCALEJET® PRO+

MORE IMPACT + MUCH MORE



***Spraying Systems Co.***  
Experts in Spray Technology



# MORE IMPACT IS JUST THE BEGINNING

Our new DescaleJet® Pro+ nozzles provide better impact than other descaling nozzles. A new, patent-pending design that optimizes flow stability results in greater impact and smooth, streak-free surfaces. In addition to better performance, the DescaleJet Pro+ nozzles come with unmatched service:

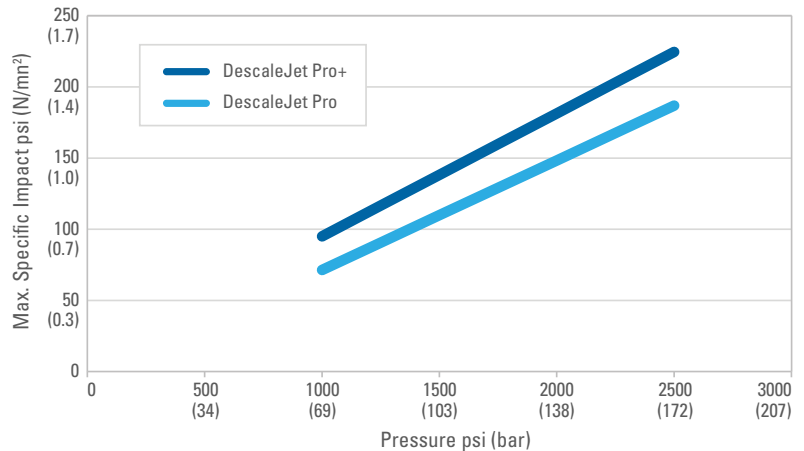
- **Local support:** Our steel specialists are in your area and ready to help. They're backed by our regional spray technology centers equipped with a variety of testing equipment
- **Performance validation before you purchase:** We'll measure impact and coverage of the DescaleJet Pro+ and your current descale nozzles using your operating conditions in our spray labs. Understand the performance gains before you buy
- **Competitive pricing:** Better performance and a lower cost? Yes!
- **Quick, local delivery:** Robust manufacturing at our factory in the USA means delivery of DescaleJet Pro+ nozzles in days, not weeks or months. Protect against supply chain disruption by working with a local supplier
- **Wear life testing:** Testing in our lab will determine the optimal replacement interval for DescaleJet Pro+ nozzles to prevent quality problems due to slight changes in impact and coverage



## DESCALEJET PRO+ BENEFITS

- High impact – Maximizes flow velocity, minimizes turbulence
- Large effective coverage – Minimizes number of nozzles required and water use
- Long service life – Wear resistant materials, durable one-piece stabilizer component design
- Wide range of tip bodies connections and stabilizing attachments – Easy interchangeable integration into current descale lines

## IMPACT COMPARISON: DESCALEJET PRO+ AND DESCALJET PRO

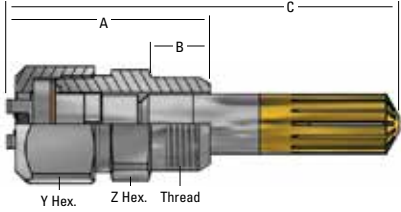
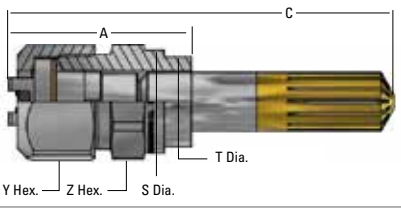
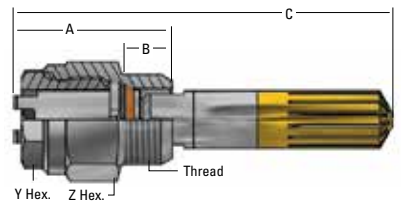
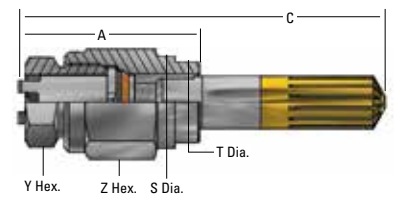
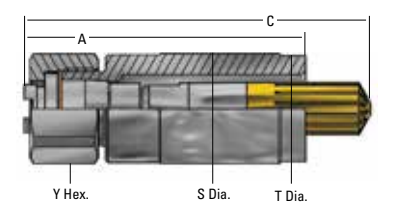
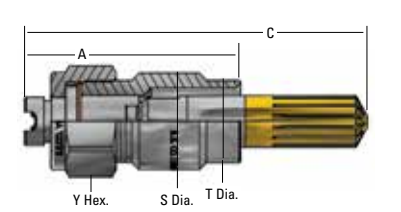
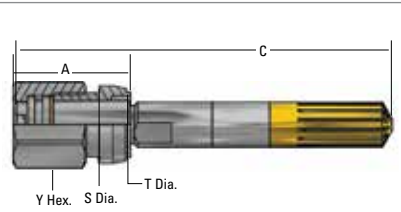


## SPECIFICATIONS:

Spray angles:	20° through 40° at 2175 psi (150 bar)
Flow rate range:	DescaleJet Pro+ – 5.7 to 49 gpm (21.6 to 185.2 lpm) at 2000 psi (138 bar) Mini DescaleJet Pro+ – 3.5 to 35 gpm (14 to 140 lpm) at 2000 psi (138 bar)
Orifice material:	Tungsten carbide
Max. operating pressure:	DescaleJet Pro+ – 4350 psi (300 bar) Mini DescaleJet Pro+ – 5800 psi (400 bar)

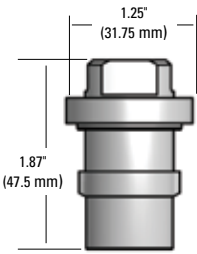
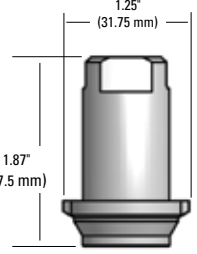
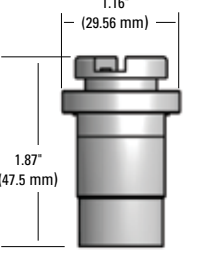
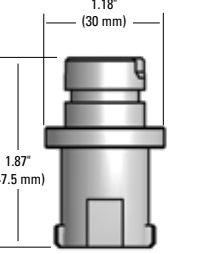
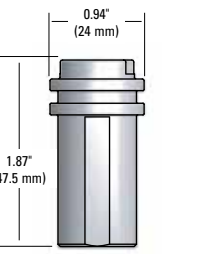
Pricing, delivery times and service offerings may vary outside of North America.  
Contact your local Spraying Systems Co. representative for information.

## DIMENSIONS

Nozzle	Nozzle Version	A (mm)	B (mm)	C (mm)	Y Hex. (mm)	Z Hex. (mm)	Thread	S Dia. (mm)	T Dia. (mm)
	<b>98015-1-T-SS</b> <b>147592-1-***+SSTC****E</b>	2.87" (72.9)	.84" (21.4)				1" NPT (1" BSPT)	—	—
	<b>98015-1-W-SS</b> <b>147592-1-***+SSTC****E</b>	2.63" (66.7)	—				—	1.48" (37.1)	1.30" (33.0)
	<b>98015-2-T-SS</b> <b>147592-2-***+SSTC****E</b>	2.70" (68.7)	.84" (21.4)				1" NPT (1" BSPT)	—	—
	<b>98015-2-W-SS</b> <b>147592-2-***+SSTC****E</b>	2.97" (75.4)	—				—	1.48" (37.7)	1.30" (33.0)
	<b>98015-3-W-SS</b> <b>147592-3-***+SSTC****E</b>	4.57" (116.0)	—				—	1.80" (45.0)	1.70" (43.4)
	<b>98015-4-W-SS</b> <b>147592-4-***+SSTC****E</b>	3.55" (90.1)	—				—	1.57" (40.0)	1.34" (34.0)
	<b>98015-5-W-__-SS</b> <b>147592-5-***+SSTC****E</b>	1.50" to 4.20" (38 to 106)	6.12" (155)	6.12" (155)	1.25" (31.7)	—	—	1.26" (32.0)	1.06" (27.0)



## DIMENSIONS

DescalJet® Pro+ Tip Bodies				
Tip Body used with 147592-1-__+SSTC****E Assembly	Tip Body used with 147592-2-__+SSTC****E Assembly	Tip Body used with 147592-3-__+SSTC****E Assembly	Tip Body used with 147592-4-__+SSTC****E Assembly	Tip Body used with 147592-5-__+SSTC****E Assembly
				

For complete ordering information contact your local sales engineer or request data sheet PL147592.

## PERFORMANCE DATA

Flow Rate at Stated Pressure

Capacity Code	DescalJet Pro+	Mini DescalJet Pro+	PSI (Flow rate in gpm)									BAR (Flow rate in lpm)							
			1000	1500	2000	2500	3000	3500	4000	4500	5000	70	100	150	200	250	300	350	400
-05		•	2.5	3.1	3.5	4.0	4.3	4.7	5.0	5.3	5.6	9.5	11.4	14.0	16.2	18.1	19.9	21	23
-06		•	3.0	3.7	4.2	4.7	5.2	5.6	6.0	6.4	6.7	11.4	13.7	16.8	19.5	22	24	26	28
-07		•	3.5	4.3	4.9	5.5	6.1	6.5	7.0	7.4	7.8	13.3	16.0	19.5	23	25	28	30	32
-08	•	•	4.0	4.9	5.7	6.3	6.9	7.5	8.0	8.5	8.9	15.2	18.2	22.5	26	29	32	34	37
-09	•	•	4.5	5.5	6.4	7.1	7.8	8.4	9.0	9.5	10.1	17	20.6	25.3	29	33	36	39	41
-10	•	•	5.0	6.1	7.1	7.9	8.7	9.4	10.0	10.6	11.2	18.8	23	28	32	36	40	43	46
-12	•	•	6.0	7.3	8.5	9.5	10.4	11.2	12.0	12.7	13.4	23	27	33	40.5	45	50	54	58
-15	•	•	7.5	9.2	10.6	11.9	13.0	14.0	15.0	15.9	16.8	29	34	42	49	54	60	64	69
-20	•	•	10.0	12.2	14.1	15.8	17.3	18.7	20	21	22	38	46	56	64	72	79	85	91
-25	•	•	12.5	15.3	17.7	19.8	22	23	25	27	28	48	57	70	81	90	99	107	114
-30	•	•	15.0	18.4	21	24	26	28	30	32	34	57	68	84	97	108	118	128	137
-35	•	•	17.5	21	25	28	30	33	35	37	39	67	80	98	113	126	138	149	160
-40	•	•	20	24	28	32	35	37	40	42	45	77	91	112	129	144	158	171	182
-50	•	•	25	31	35	40	43	47	50	53	56	95	114	140	161	180	197	213	228
-55	•		28	34	39	43	48	51	55	58	61	105	125	154	177	198	217	235	251
-60	•		30	37	42	47	52	56	60	64	67	114	137	167	193	216	237	256	274
-70	•		35	43	49	55	61	65	70	74	78	134	160	195	226	252	276	299	319



**Spraying Systems Co.®**  
Experts in Spray Technology

North Avenue and Schmale Road, P.O. Box 7900, Wheaton, IL 60187-7901 USA

Tel: 1.800.95.SPRAY    Intl. Tel: 1.630.665.5000  
Fax: 1.888.95.SPRAY    Intl. Fax: 1.630.260.0842

www.spray.com



Bulletin No. 768 ©Spraying Systems Co. 2020