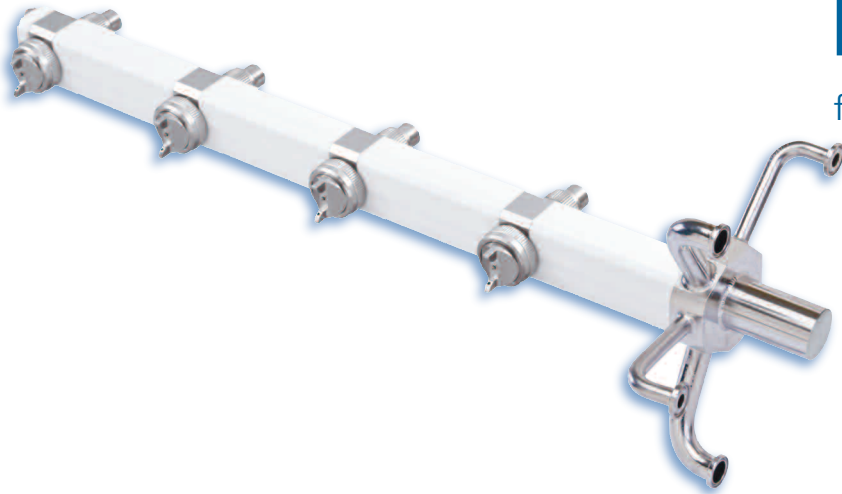




Modular Air Atomizing Manifold

for precision tablet coating applications



Specifications

Modular design accommodates up to 10 spray nozzles
Sanitary flange inlet connections and threadless internal liquid/air chamber
Built in liquid recirculation line
Wide variety of spray set-ups available to match performance of 1/4J and 1/4 VMAU nozzles
Anti-bearding spray set-ups available
Surface finish of 20 Ra or better for all internal and external surfaces
Patented design meets ASME® BPE specifications
Manufactured according to cGMP guidelines from sanitary FDA -compliant materials

Benefits

Reduced process risk and improved compliance with your quality standards

- Superior surface finish reduces contamination risk
- Manufacturing environment exceeds industry standards for hygienic products
- Complete turnover package available with material test reports, welder certification and other relevant data

Easier to operate and maintain

- Half the weight of other manufacturer's designs
- Disassembles in seconds, saving time and money
- Polished 316/316L stainless steel and stain-resistant TEFLON® FEP for easy cleaning
- Anti-bearding spray set-ups significantly reduce downtime

Versatile operation

- Improved spray performance maximizes throughput and product quality
- Ideal for spraying viscous liquids
- Modular design provides flexibility for a wide variety of spray applications
- Can be used in batch or continuous processes

TEFLON® is a registered trademark of DuPont Company

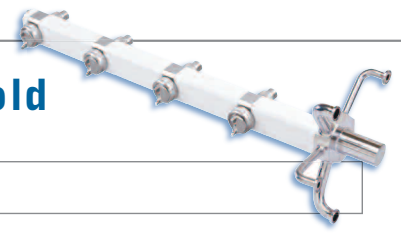
ASME® is a registered trademark of American Society of Mechanical Engineers (ASME, ASME International)

Application

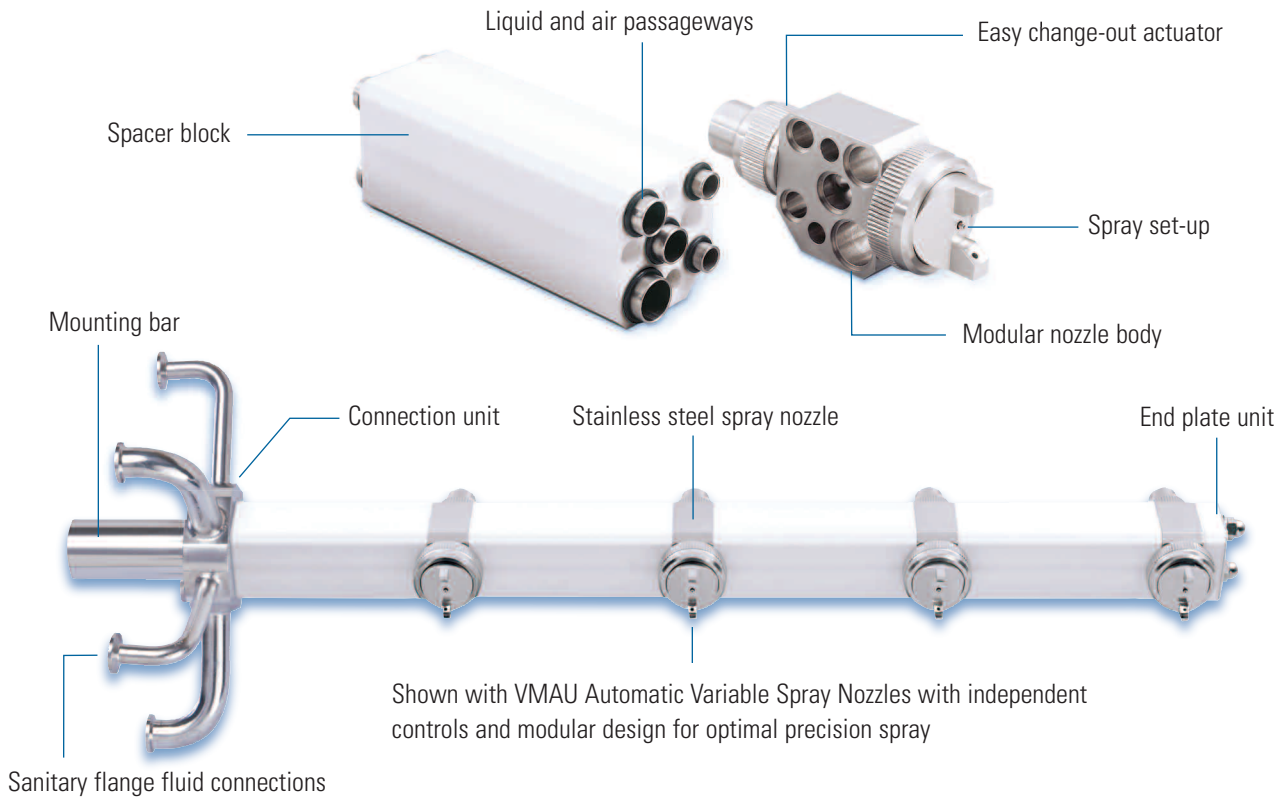


Tablet Coating

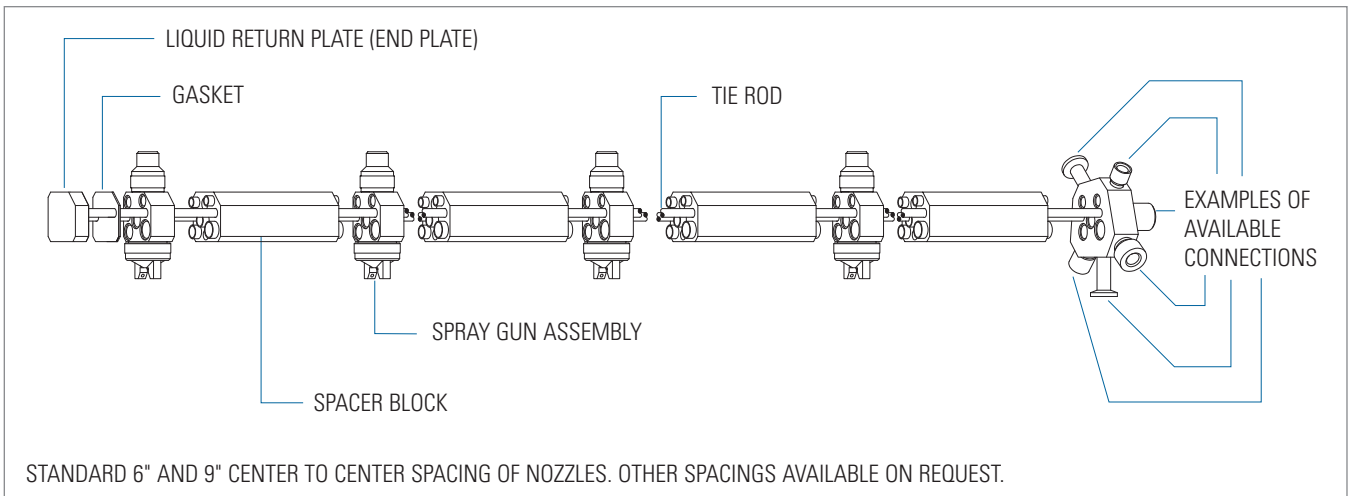
Modular Air Atomizing Manifold



Descriptions



Modular Air Atomizing Manifold Assembly with VMAU Nozzles



Spraying Systems Co.
Experts in Spray Technology



Spray Nozzles



Spray Control



Spray Analysis



Spray Fabrication

P.O. Box 7900, Wheaton, IL 60189-7900 USA

Tel: 1.800.95.SPRAY Intl. Tel: 1.630.665.5000

Fax: 1.888.95.SPRAY Intl. Fax: 1.630.260.0842

www.spray.com

