

# Spray Gun Heat Jacket

## Spray Gun Heat Jackets

keep viscous liquids warm as they pass through air atomizing spray nozzles.

### Specifications

Compatible with standard Spraying Systems Co. VAU, VMAU, JAU, & JJAU air atomizing automatic spray assemblies

Easy slip-on and compact design for fast installation and cleaning

Patent-pending design enables heat jacket to maintain liquid temperature throughout the entire nozzle — body, inlets, and air caps

Remains connected to the heat source while nozzle is being serviced

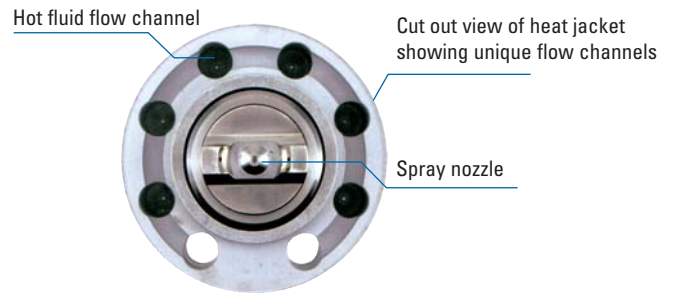
Connections: NPT liquid inlet and outlet

Material Options: nickel-plated brass, anodized aluminum, or 316 stainless steel\*

\* Nickel-plated brass and 316 stainless steel applicable for hot liquids and steam; anodized aluminum applicable for hot liquids only.

### Benefits

- Reduces clogging by keeping spray liquids warm
- Provides uniform temperature control



- Maximizes heat transfer with continual flow of hot fluid throughout the heat jacket
- Installs easily by slipping over the spray nozzle
- Reduces downtime by eliminating the need for cumbersome tubing or heat tracing; the heat jacket stays connected to the heat source while the nozzle is removed for service
- Reduces maintenance time; disassembles in minutes for easy cleaning

### Typical Applications



Butter Coating



Chocolate Coating



Sugar Coating

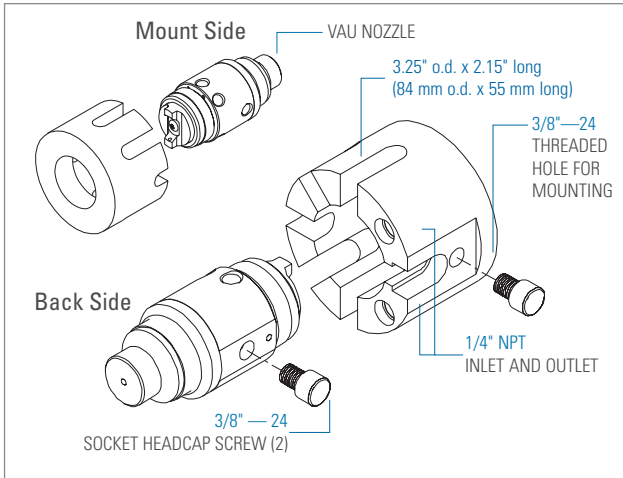
Adhesive Coating  
Grease and Oil  
Syrup Coating  
Viscous Liquid Spraying  
Wax Coating

# Spray Gun Heat Jacket

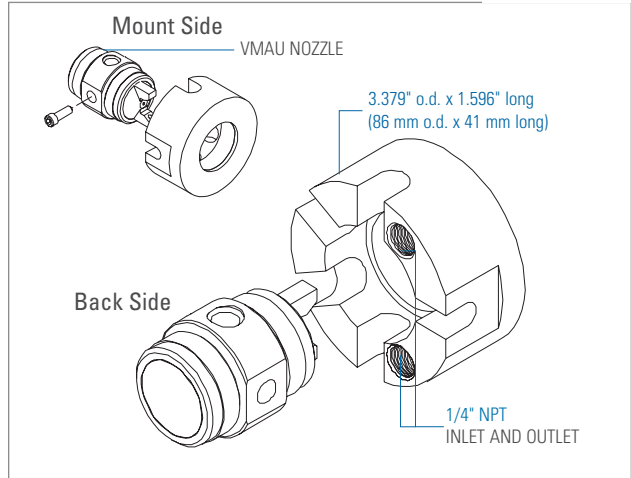


## Descriptions

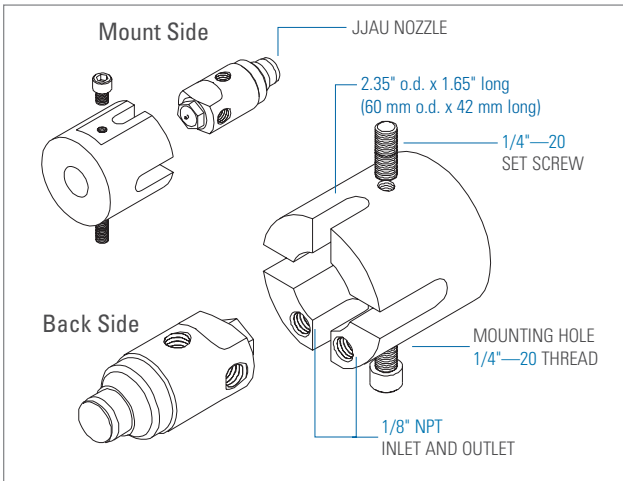
### 1/8 VAU Heat Jacket



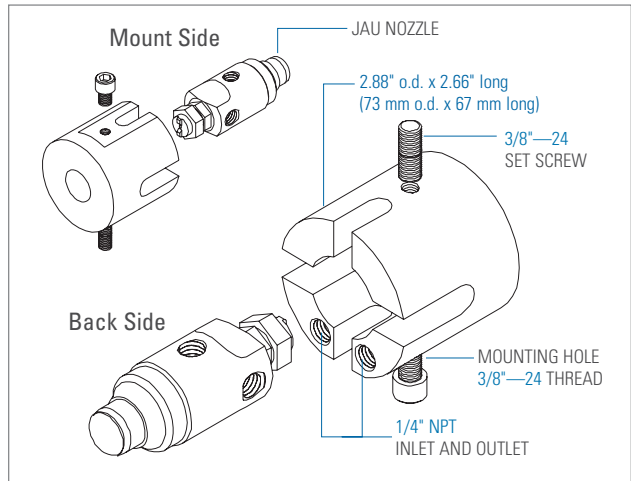
### 1/4 VMAU Heat Jacket



### 1/8 JJAU Heat Jacket



### 1/4 JAU Heat Jacket



## Ordering Information

**51120 — VAU — ALA**  
 |                      |                      |  
 Model                Nozzle                Material  
 Number

Model Number	Nozzle Type	Material
51120	VAU VMAU JAU JJAU	Standard = nickel-plated brass ALA = anodized aluminum 316SS = 316 stainless steel



**Spraying Systems Co.**  
 Experts in Spray Technology



Spray  
Nozzles



Spray  
Control



Spray  
Analysis



Spray  
Fabrication

P.O. Box 7900, Wheaton, IL 60189-7900 USA

Tel: 1.800.95.SPRAY    Intl. Tel: 1.630.665.5000

Fax: 1.888.95.SPRAY    Intl. Fax: 1.630.260.0842

www.spray.com

