

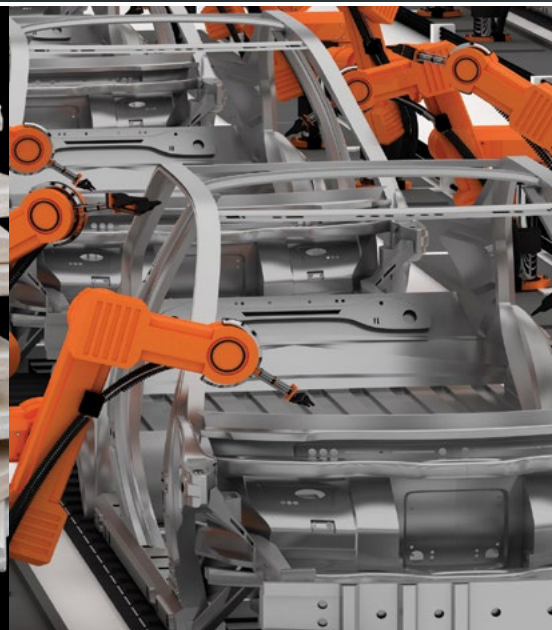


VX-SERIES AUTOMATIC AIR ATOMIZING NOZZLES

FOR PRECISION COATING
AND FINISHING



Spraying Systems Co.[®]
Experts in Spray Technology





INTRODUCING THE NEW VX-SERIES AUTOMATIC AIR ATOMIZING NOZZLES – THE PERFECT BLEND OF PERFORMANCE, VERSATILITY AND CONVENIENCE

Perfect finishes begin with perfect coverage. Achieving perfect coverage requires efficient atomization, tight control of drop size and uniform drop size distribution throughout the spray pattern. It also requires dependable consistency and repeatability. The new VX-Series Automatic Air Atomizing nozzles deliver all this and more, including a simple design that makes set-up, operation and maintenance quicker and easier than ever before.

With VX nozzles, quality problems, clogging, misting, time-consuming manual adjustments and complicated maintenance are eliminated. You'll experience longer, uninterrupted production runs, reduced set-up time between batches, lower scrap rates and decreased maintenance downtime.

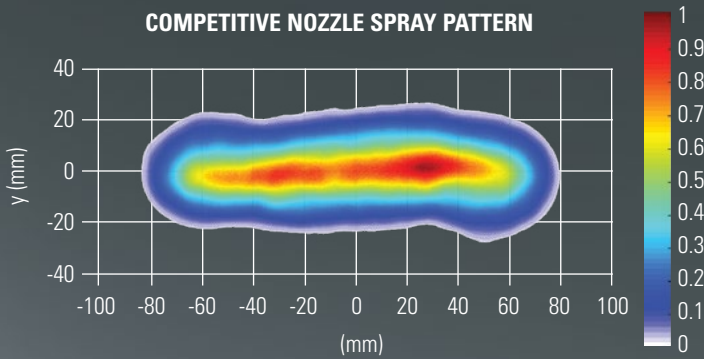
Learn more about the VX-Series Automatic Air Atomizing nozzles in the pages that follow. Then, contact your local spray specialist to discuss the details of your finishing application and determine which VX-Series nozzle will deliver the exact performance you require:

1.800.95.SPRAY or spray.com.

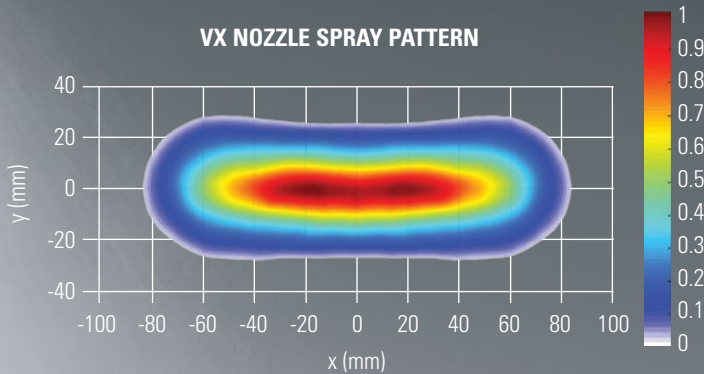




COMPETITIVE NOZZLE SPRAY PATTERN



VX NOZZLE SPRAY PATTERN



Laser sheet imaging on VX nozzle compared to competitive nozzle
Note the uniformity of the spray pattern.

IDEAL FOR USE WITH A WIDE RANGE OF COATINGS AND FINISHES

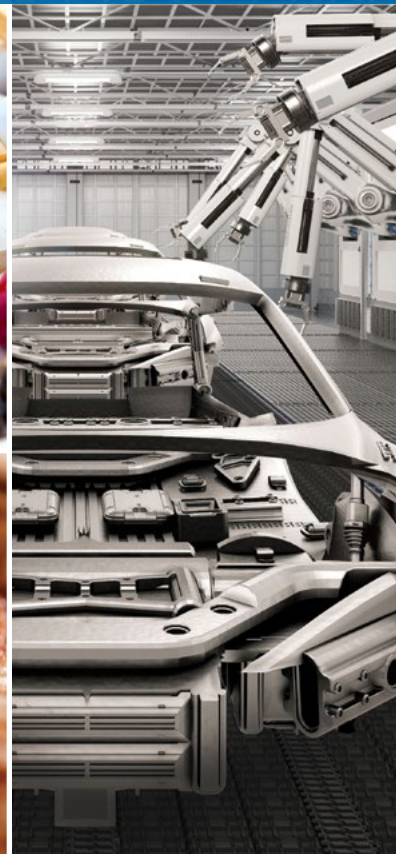
- Solvent- and water-based paints and lacquers
 - Adhesives and glues
 - Ceramic glazes
 - Toners, stains and polyurethane top coats
 - Epoxy primers, bases and clear coats
 - UV-cured finishes
 - Abrasive enamels, metallics or high-solids materials
- Food and pharmaceutical coatings including:**
- Cinnamon, cheese and other slurries
 - Frosting
 - Glazes
 - Confectionery fat barriers
 - Tablet coating

IT'S ALL ABOUT THE FINISH QUALITY

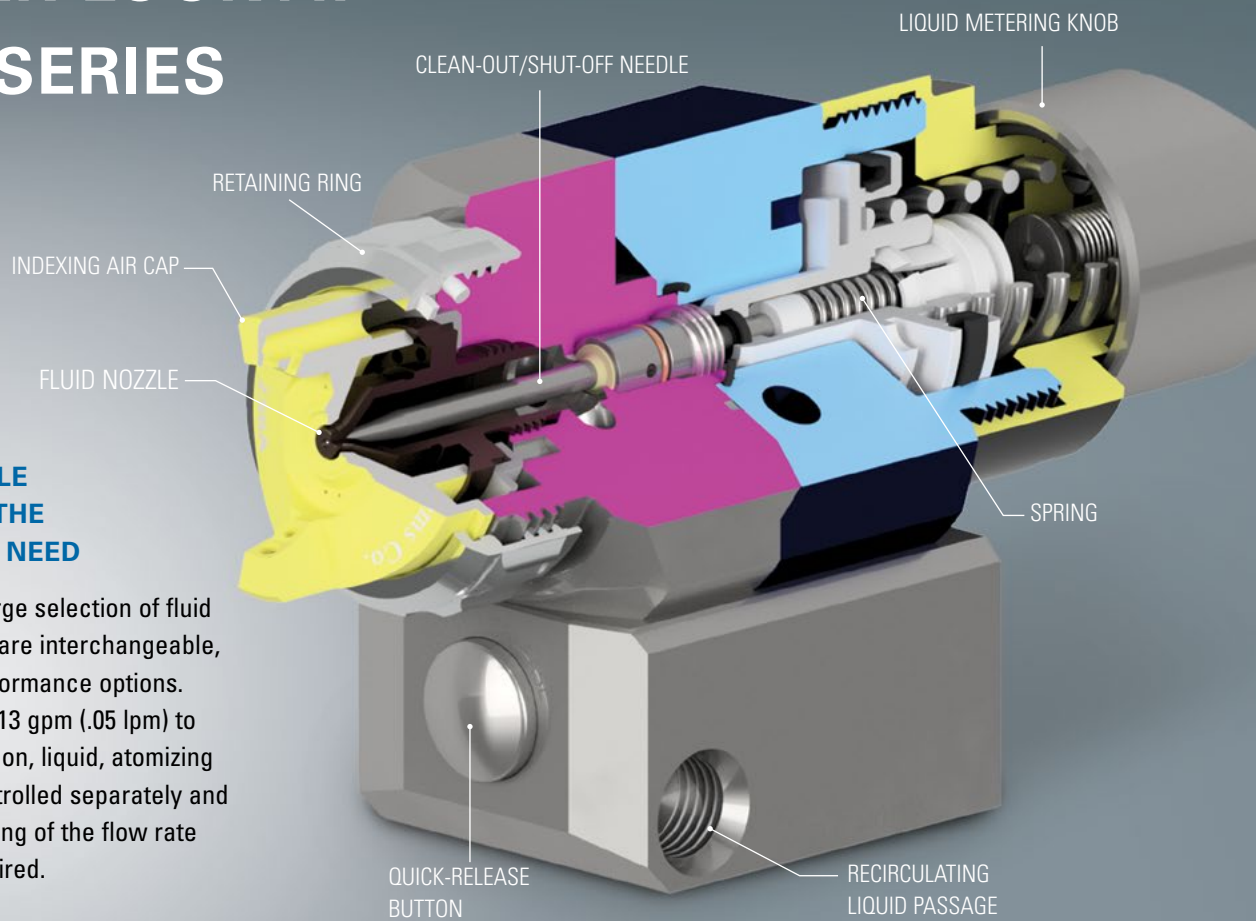
The VX-Series delivers precise, uniform coverage and a superior finish. A fully atomized spray, consisting of small drops distributed uniformly throughout the spray pattern, ensures a smooth finish even when using hard-to-apply coatings.

Indexing VX air caps with 30° increments ensure proper spray alignment and repeatable performance from nozzle to nozzle and from run to run.

VX nozzles optimize air distribution, maximize air efficiency and minimize misting and overspray. The result is minimal waste of the coating material and a cleaner, safer work environment.



A CLOSER LOOK AT THE VX-SERIES



THERE'S A VX NOZZLE THAT CAN DELIVER THE PERFORMANCE YOU NEED

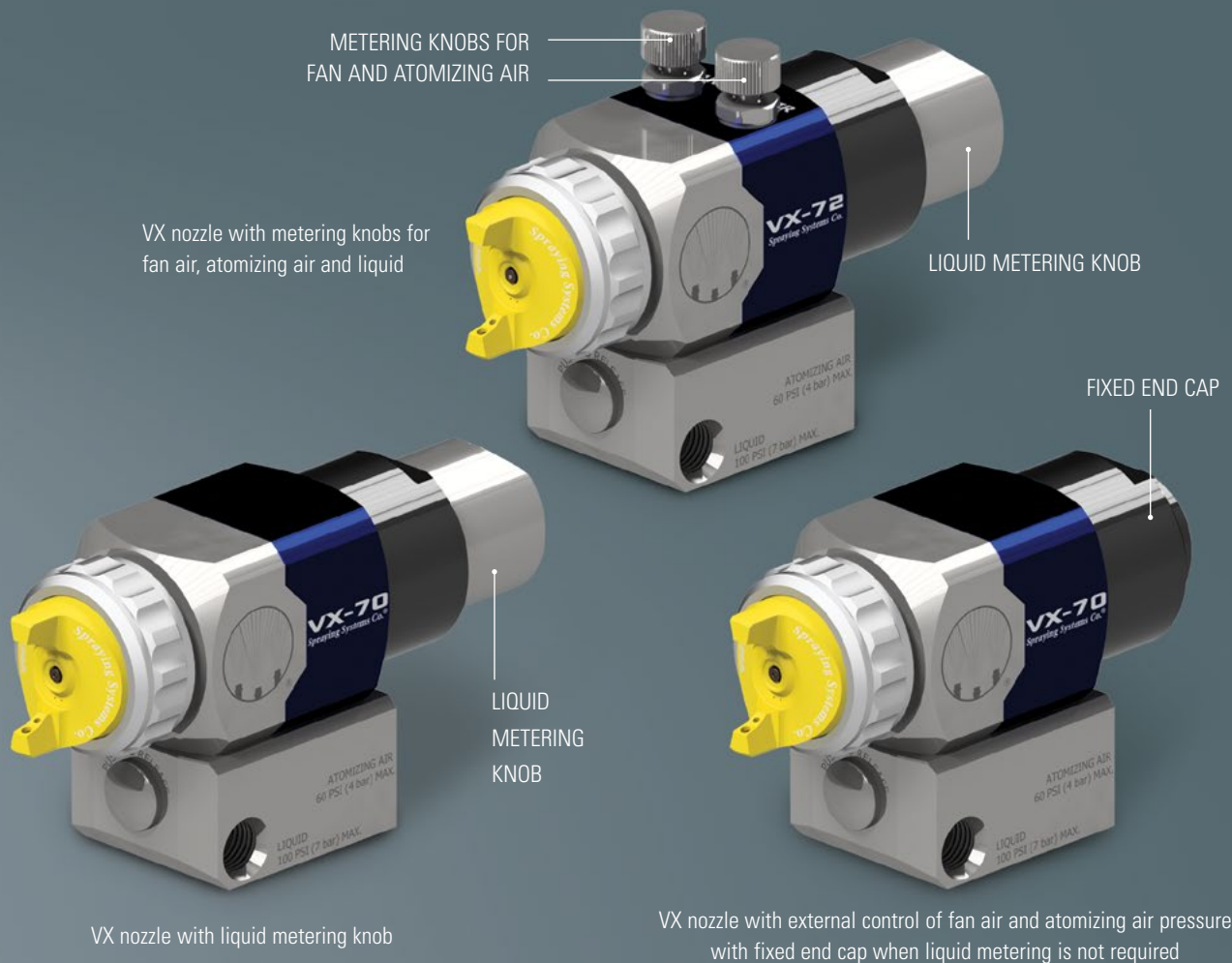
The VX-Series offers a large selection of fluid nozzles and air caps that are interchangeable, creating hundreds of performance options. Flow rates range from 0.013 gpm (.05 lpm) to 1.3 gpm (4.9 lpm). In addition, liquid, atomizing air and fan air are all controlled separately and easily adjusted if fine-tuning of the flow rate and air pressure are required.

YOU'LL SAVE TIME & MONEY WITH VX NOZZLES

Many of the features designed to ensure optimal performance also help simplify operation and reduce costs:

- Air cap indexing increments are preset and enable fast set-up time and repeatability
- Optional metering knobs make manual adjustments to air and liquid volumes a simple, quick task
- Liquid recirculation keeps fluids with suspended solids moving and reduces clogging and downtime
- Integrated anti-bearding technology resists material buildup on the air cap and extends time between maintenance intervals
- Quick-release mounting block means nozzles can be changed out in seconds with the simple push of a button without tools
- Internal passages of VX nozzles are large and easy to clean. Wear parts are easy to access. Maintenance can be completed within minutes
- Threaded cylinder air exhaust port includes a breather vent and filter to ensure operation even in dirty environments
- Integrated air shut-off option eliminates the need for and inconvenience of external air control
- High-quality materials of construction provide longer wear life





VX nozzle with metering knobs for fan air, atomizing air and liquid

LIQUID METERING KNOB

FIXED END CAP

LIQUID METERING KNOB

VX nozzle with liquid metering knob

VX nozzle with external control of fan air and atomizing air pressure with fixed end cap when liquid metering is not required

COMPARING THE VX-SERIES OPTIONS – CHOOSE THE FEATURES YOU NEED



	VX-70	VX-72	VX-80	VX-82
PERFORMANCE				
Indexing air cap in 30° increments	•	•		
Manual metering knobs for adjustment of atomizing and fan air		•		•
Manual metering knob for liquid control (optional fixed end cap if not desired)	•	•	•	•
Automatic air atomizing and fan air shut-off	•	•	•	•
Threaded exhaust port and filter/vent	•	•	•	•
Liquid recirculation	•	•	•	•
CONVENIENCE & DURABILITY				
Quick-release mounting block*	•	•	•	•
Large, easy-to-clean internal passages	•	•	•	•
Material hardened 17-4PH fluid nozzles	•	•	•	•
Stainless steel and anodized aluminum construction	•	•		
316 stainless steel sanitary nozzle bodies; components in compliance with FDA and EU regulations			•	•

*Mounting block must be ordered separately.

VX-SERIES AUTOMATIC AIR ATOMIZING NOZZLES

PERFORMANCE DATA

Setup No.	Fluid Nozzle and Air Cap	Liquid Pressure	Liquid Flow Rate		Atomizing Air Pressure	Total Air Flow (scfm) and Spray Width at 6 in. (15 cm) from Nozzle*																		
						Fan Air Pressure																		
						5 psi (0.3 bar)		10 psi (0.7 bar)		15 psi (1 bar)		20 psi (1.4 bar)		25 psi (1.7 bar)										
						Flow	Width	Flow	Width	Flow	Width	Flow	Width	Flow	Width									
SUVXE1A	PFX16 + PAVX140A	3 psi (0.2 bar)	0.013 gpm (0.048 lpm)	0.78 gph (2.88 lph)	5 psi (0.3 bar)	4.4 scfm (117 lpm)	17.2 in. (43 cm)																	
					10 psi (0.7 bar)	4.6 scfm (125 lpm)	17.5 in. (44 cm)																	
					15 psi (1 bar)	4.8 scfm (130 lpm)	16.7 in. (42 cm)																	
					20 psi (1.4 bar)	5.0 scfm (135 lpm)	15.3 in. (38 cm)	6.6 scfm (188 lpm)	17.1 in. (43 cm)															
		5 psi (0.3 bar)	0.016 gpm (0.058 lpm)	0.96 gph (3.48 lph)	10 psi (0.7 bar)	4.6 scfm (125 lpm)	16.2 in. (41 cm)	6.2 scfm (178 lpm)	17.7 in. (44 cm)															
					15 psi (1 bar)	4.8 scfm (130 lpm)	13.9 in. (35 cm)	6.4 scfm (183 lpm)	17.6 in. (44 cm)															
					20 psi (1.4 bar)	5.0 scfm (135 lpm)	13.2 in. (33 cm)	6.6 scfm (188 lpm)	17.0 in. (43 cm)															
					25 psi (1.7 bar)	5.1 scfm (138 lpm)	11.5 in. (29 cm)	6.7 scfm (192 lpm)	15.4 in. (39 cm)	7.9 scfm (222 lpm)	16.9 in. (42 cm)													
		10 psi (0.7 bar)	0.023 gpm (0.089 lpm)	1.38 gph (5.34 lph)	15 psi (1 bar)	4.8 scfm (130 lpm)	13.3 in. (33 cm)	6.4 scfm (183 lpm)	15.4 in. (38 cm)	7.6 scfm (213 lpm)	17.2 in. (43 cm)													
					20 psi (1.4 bar)	5.0 scfm (135 lpm)	12.8 in. (32 cm)	6.6 scfm (188 lpm)	15.2 in. (38 cm)	7.8 scfm (218 lpm)	16.9 in. (42 cm)													
					25 psi (1.7 bar)	5.1 scfm (138 lpm)	11.4 in. (29 cm)	6.7 scfm (192 lpm)	13.8 in. (35 cm)	7.9 scfm (222 lpm)	16.3 in. (41 cm)	8.9 scfm (255 lpm)	17.9 in. (45 cm)											
					30 psi (2 bar)	5.3 scfm (144 lpm)	10.0 in. (25 cm)	6.9 scfm (197 lpm)	13.3 in. (33 cm)	8.1 scfm (227 lpm)	15.2 in. (38 cm)	9.1 scfm (261 lpm)	17.2 in. (43 cm)											
		15 psi (1 bar)	0.029 gpm (0.11 lpm)	1.74 gph (6.6 lph)	20 psi (1.4 bar)	5.0 scfm (135 lpm)	13.9 in. (35 cm)	6.6 scfm (188 lpm)	17.0 in. (43 cm)	7.8 scfm (218 lpm)	17.3 in. (43 cm)													
					25 psi (1.7 bar)	5.1 scfm (138 lpm)	12.5 in. (31 cm)	6.7 scfm (192 lpm)	15.4 in. (38 cm)	7.9 scfm (222 lpm)	16.8 in. (42 cm)	8.9 scfm (255 lpm)	17.8 in. (44 cm)											
					30 psi (2 bar)	5.3 scfm (144 lpm)	11.1 in. (28 cm)	6.9 scfm (197 lpm)	13.8 in. (35 cm)	8.1 scfm (227 lpm)	15.5 in. (39 cm)	9.1 scfm (261 lpm)	17.6 in. (44 cm)											
					40 psi (2.8 bar)	5.7 scfm (156 lpm)	9.6 in. (24 cm)	7.3 scfm (209 lpm)	11.6 in. (29 cm)	8.5 scfm (239 lpm)	14.7 in. (37 cm)	9.5 scfm (273 lpm)	15.6 in. (39 cm)	10.4 scfm (295 lpm)	17.5 in. (44 cm)									
		20 psi (1.4 bar)	0.033 gpm (0.13 lpm)	1.98 gph (7.8 lph)	25 psi (1.7 bar)	5.1 scfm (138 lpm)	12.0 in. (30 cm)	6.7 scfm (192 lpm)	13.8 in. (35 cm)	7.9 scfm (222 lpm)	15.8 in. (40 cm)	8.9 scfm (255 lpm)	17.0 in. (43 cm)											
					30 psi (2 bar)	5.3 scfm (144 lpm)	11.7 in. (29 cm)	6.9 scfm (197 lpm)	13.6 in. (34 cm)	8.1 scfm (227 lpm)	15.5 in. (39 cm)	9.1 scfm (261 lpm)	17.4 in. (43 cm)											
					40 psi (2.8 bar)	5.7 scfm (156 lpm)	9.4 in. (23 cm)	7.3 scfm (209 lpm)	12.6 in. (32 cm)	8.5 scfm (239 lpm)	14.8 in. (37 cm)	9.5 scfm (273 lpm)	17.2 in. (43 cm)	10.4 scfm (295 lpm)	19.2 in. (48 cm)									

*Data collected with water at 70°F. Blank cells are not recommended.

For more performance data, visit spray.com/VXperformance



PERFORMANCE DATA

Setup No.	Fluid Nozzle and Air Cap	Liquid Pressure	Liquid Flow Rate		Atomizing Air Pressure	Total Air Flow (scfm) and Spray Width at 6 in. (15 cm) from Nozzle*																		
						Fan Air Pressure																		
						5 psi (0.3 bar)		10 psi (0.7 bar)		15 psi (1 bar)		20 psi (1.4 bar)		25 psi (1.7 bar)										
						Flow	Width	Flow	Width	Flow	Width	Flow	Width	Flow	Width									
SUVXE1	PFX20 + PAVX140A	3 psi (0.2 bar)	0.020 gpm (0.074 lpm)	1.2 gph (4.44 lph)	5 psi (0.3 bar)	4.4 scfm (117 lpm)	16.7 in. (42 cm)																	
					10 psi (0.7 bar)	4.6 scfm (125 lpm)	16.1 in. (40 cm)																	
					15 psi (1 bar)	4.8 scfm (130 lpm)	15.9 in. (40 cm)																	
					20 psi (1.4 bar)	5.0 scfm (135 lpm)	15.2 in. (38 cm)	6.6 scfm (188 lpm)	17.8 in. (45 cm)															
		5 psi (0.3 bar)	0.026 gpm (0.091 lpm)	1.56 gph (5.46 lph)	10 psi (0.7 bar)	4.6 scfm (125 lpm)	15.9 in. (40 cm)	6.2 scfm (178 lpm)	18.6 in. (47 cm)															
					15 psi (1 bar)	4.8 scfm (130 lpm)	14.5 in. (36 cm)	6.4 scfm (183 lpm)	17.5 in. (44 cm)															
					20 psi (1.4 bar)	5.0 scfm (135 lpm)	14.2 in. (36 cm)	6.6 scfm (188 lpm)	17.0 in. (43 cm)															
					25 psi (1.7 bar)	5.1 scfm (138 lpm)	13.1 in. (33 cm)	6.7 scfm (192 lpm)	16.5 in. (41 cm)															
		10 psi (0.7 bar)	0.036 gpm (0.14 lpm)	2.16 gph (8.4 lph)	15 psi (1 bar)	4.8 scfm (130 lpm)	15.6 in. (39 cm)	6.4 scfm (183 lpm)	17.9 in. (45 cm)															
					20 psi (1.4 bar)	5.0 scfm (135 lpm)	15.0 in. (38 cm)	6.6 scfm (188 lpm)	17.0 in. (43 cm)															
					25 psi (1.7 bar)	5.1 scfm (138 lpm)	13.7 in. (34 cm)	6.7 scfm (192 lpm)	16.1 in. (40 cm)	7.9 scfm (222 lpm)	18.2 in. (46 cm)													
					30 psi (2 bar)	5.3 scfm (144 lpm)	11.6 in. (29 cm)	6.9 scfm (197 lpm)	13.9 in. (35 cm)	8.1 scfm (227 lpm)	16.4 in. (41 cm)	9.1 scfm (261 lpm)	18.7 in. (47 cm)											
		15 psi (1 bar)	0.045 gpm (0.17 lpm)	2.7 gph (10.2 lph)	20 psi (1.4 bar)	5.0 scfm (135 lpm)	15.0 in. (38 cm)	6.6 scfm (188 lpm)	17.0 in. (43 cm)	7.8 scfm (218 lpm)	18.1 in. (45 cm)													
					25 psi (1.7 bar)	5.1 scfm (138 lpm)	13.9 in. (35 cm)	6.7 scfm (192 lpm)	15.7 in. (39 cm)	7.9 scfm (222 lpm)	17.0 in. (43 cm)													
					30 psi (2 bar)	5.3 scfm (144 lpm)	11.7 in. (29 cm)	6.9 scfm (197 lpm)	15.0 in. (37 cm)	8.1 scfm (227 lpm)	16.6 in. (42 cm)	9.1 scfm (261 lpm)	18.6 in. (47 cm)											
					40 psi (2.8 bar)	5.7 scfm (156 lpm)	9.1 in. (23 cm)	7.3 scfm (209 lpm)	12.9 in. (32 cm)	8.5 scfm (239 lpm)	15.7 in. (39 cm)	9.5 scfm (273 lpm)	16.0 in. (40 cm)	10.4 scfm (295 lpm)	16.9 in. (42 cm)									
		20 psi (1.4 bar)	0.051 gpm (0.20 lpm)	3.06 gph (12 lph)	25 psi (1.7 bar)	5.1 scfm (138 lpm)	13.2 in. (33 cm)	6.7 scfm (192 lpm)	14.7 in. (37 cm)	7.9 scfm (222 lpm)	17.6 in. (44 cm)	8.9 scfm (255 lpm)	18.6 in. (47 cm)											
					30 psi (2 bar)	5.3 scfm (144 lpm)	12.6 in. (31 cm)	6.9 scfm (197 lpm)	14.6 in. (37 cm)	8.1 scfm (227 lpm)	15.6 in. (39 cm)	9.1 scfm (261 lpm)	17.1 in. (43 cm)	10.0 scfm (283 lpm)	18.0 in. (45 cm)									
					40 psi (2.8 bar)	5.7 scfm (156 lpm)	9.5 in. (24 cm)	7.3 scfm (209 lpm)	12.6 in. (32 cm)	8.5 scfm (239 lpm)	15.1 in. (38 cm)	9.5 scfm (273 lpm)	16.9 in. (42 cm)	10.4 scfm (295 lpm)	17.8 in. (45 cm)									

*Data collected with water at 70°F. Blank cells are not recommended.

For more performance data, visit spray.com/VXperformance



VX-SERIES AUTOMATIC AIR ATOMIZING NOZZLES

PERFORMANCE DATA

Setup No.	Fluid Nozzle and Air Cap	Liquid Pressure	Liquid Flow Rate		Atomizing Air Pressure	Total Air Flow (scfm) and Spray Width at 6 in. (15 cm) from Nozzle*															
						Fan Air Pressure															
						5 psi (0.3 bar)		10 psi (0.7 bar)		15 psi (1 bar)		20 psi (1.4 bar)		25 psi (1.7 bar)							
						Flow	Width	Flow	Width	Flow	Width	Flow	Width	Flow	Width						
SUVXEZ	PFX40 + PAVX156A	3 psi (0.2 bar)	0.077 gpm (0.30 lpm)	4.62 gph (18 lph)	5 psi (0.3 bar)	5.1 scfm (135 lpm)	21.3 in. (53 cm)														
					10 psi (0.7 bar)	5.6 scfm (154 lpm)	18.9 in. (47 cm)														
					15 psi (1 bar)	6.0 scfm (164 lpm)	17.2 in. (43 cm)														
					20 psi (1.4 bar)	6.4 scfm (175 lpm)	15.0 in. (37 cm)														
		5 psi (0.3 bar)	0.10 gpm (0.36 lpm)	6 gph (21.6 lph)	10 psi (0.7 bar)	5.6 scfm (154 lpm)	18.0 in. (45 cm)														
					15 psi (1 bar)	6.0 scfm (164 lpm)	16.6 in. (42 cm)														
					20 psi (1.4 bar)	6.4 scfm (175 lpm)	13.2 in. (33 cm)	8.0 scfm (229 lpm)	16.5 in. (41 cm)												
					25 psi (1.7 bar)	6.7 scfm (183 lpm)	12.6 in. (32 cm)	8.3 scfm (236 lpm)	13.9 in. (35 cm)	9.5 scfm (266 lpm)	17.6 in. (44 cm)										
		10 psi (0.7 bar)	0.14 gpm (0.56 lpm)	8.4 gph (33.6 lph)	15 psi (1 bar)	6.0 scfm (164 lpm)	14.8 in. (37 cm)	7.6 scfm (217 lpm)	17.6 in. (44 cm)												
					20 psi (1.4 bar)	6.4 scfm (175 lpm)	13.0 in. (33 cm)	8.0 scfm (229 lpm)	16.6 in. (42 cm)												
					25 psi (1.7 bar)	6.7 scfm (183 lpm)	12.6 in. (32 cm)	8.3 scfm (236 lpm)	14.2 in. (36 cm)	9.5 scfm (266 lpm)	17.7 in. (44 cm)										
					30 psi (2 bar)	7.2 scfm (195 lpm)	11.8 in. (30 cm)	8.8 scfm (249 lpm)	13.0 in. (33 cm)	10.0 scfm (279 lpm)	16.8 in. (42 cm)										
	15 psi (1 bar)	0.17 gpm (0.66 lpm)	10.2 gph (39.6 lph)	20 psi (1.4 bar)	6.4 scfm (175 lpm)	14.7 in. (37 cm)	8.0 scfm (229 lpm)	16.1 in. (40 cm)	9.2 scfm (259 lpm)	18.4 in. (46 cm)											
				25 psi (1.7 bar)	6.7 scfm (183 lpm)	12.8 in. (32 cm)	8.3 scfm (236 lpm)	14.5 in. (36 cm)	9.5 scfm (266 lpm)	18.3 in. (46 cm)											
				30 psi (2 bar)	7.2 scfm (195 lpm)	11.7 in. (29 cm)	8.8 scfm (249 lpm)	14.2 in. (36 cm)	10.0 scfm (279 lpm)	16.3 in. (41 cm)											
				40 psi (2.8 bar)	7.9 scfm (221 lpm)	10.6 in. (27 cm)	9.5 scfm (274 lpm)	12.6 in. (32 cm)	10.7 scfm (304 lpm)	14.9 in. (37 cm)	11.7 scfm (338 lpm)	16.6 in. (42 cm)									
	20 psi (1.4 bar)	0.20 gpm (0.79 lpm)	12 gph (47.4 lph)	25 psi (1.7 bar)	6.7 scfm (183 lpm)	13.0 in. (33 cm)	8.3 scfm (236 lpm)	15.4 in. (38 cm)	9.5 scfm (266 lpm)	17.2 in. (43 cm)											
				30 psi (2 bar)	7.2 scfm (195 lpm)	11.0 in. (28 cm)	8.8 scfm (249 lpm)	14.4 in. (36 cm)	10.0 scfm (279 lpm)	16.6 in. (42 cm)											
				40 psi (2.8 bar)	7.9 scfm (221 lpm)	10.3 in. (26 cm)	9.5 scfm (274 lpm)	12.5 in. (31 cm)	10.7 scfm (304 lpm)	15.2 in. (38 cm)	11.7 scfm (338 lpm)	16.0 in. (40 cm)	12.6 scfm (360 lpm)	17.9 in. (45 cm)							

*Data collected with water at 70°F. Blank cells are not recommended.

For more performance data, visit spray.com/VXperformance



PERFORMANCE DATA

Setup No.	Fluid Nozzle and Air Cap	Liquid Pressure	Liquid Flow Rate		Atomizing Air Pressure	Total Air Flow (scfm) and Spray Width at 6 in. (15 cm) from Nozzle*																
						Fan Air Pressure																
						5 psi (0.3 bar)		10 psi (0.7 bar)		15 psi (1 bar)		20 psi (1.4 bar)		25 psi (1.7 bar)								
						Flow	Width	Flow	Width	Flow	Width	Flow	Width	Flow	Width							
SUVXE3A	PFX40 + PAVX180A	3 psi (0.2 bar)	0.077 gpm (0.30 lpm)	4.62 gph (18 lph)	5 psi (0.3 bar)	6.3 scfm (167 lpm)	23.6 in. (59 cm)															
					10 psi (0.7 bar)	7.3 scfm (202 lpm)	20.5 in. (51 cm)															
					15 psi (1 bar)	8.1 scfm (222 lpm)	17.1 in. (43 cm)															
					20 psi (1.4 bar)	8.8 scfm (244 lpm)	13.0 in. (33 cm)	10.4 scfm (298 lpm)	16.9 in. (42 cm)													
		5 psi (0.3 bar)	0.10 gpm (0.36 lpm)	6 gph (21.6 lph)	10 psi (0.7 bar)	7.3 scfm (202 lpm)	19.7 in. (49 cm)															
					15 psi (1 bar)	8.1 scfm (222 lpm)	16.2 in. (41 cm)															
					20 psi (1.4 bar)	8.8 scfm (244 lpm)	13.8 in. (35 cm)	10.4 scfm (298 lpm)	17.2 in. (43 cm)													
					25 psi (1.7 bar)	9.4 scfm (259 lpm)	12.0 in. (30 cm)	11.0 scfm (312 lpm)	14.6 in. (37 cm)	12.2 scfm (342 lpm)	17.2 in. (43 cm)											
		10 psi (0.7 bar)	0.14 gpm (0.56 lpm)	8.4 gph (33.6 lph)	15 psi (1 bar)	8.1 scfm (222 lpm)	16.7 in. (42 cm)															
					20 psi (1.4 bar)	8.8 scfm (244 lpm)	14.3 in. (36 cm)	10.4 scfm (298 lpm)	17.3 in. (43 cm)													
					25 psi (1.7 bar)	9.4 scfm (259 lpm)	12.0 in. (30 cm)	11.0 scfm (312 lpm)	14.2 in. (36 cm)	12.2 scfm (342 lpm)	17.3 in. (43 cm)											
					30 psi (2 bar)	10.3 scfm (283 lpm)	10.4 in. (26 cm)	11.9 scfm (336 lpm)	12.3 in. (31 cm)	13.1 scfm (366 lpm)	15.4 in. (38 cm)	14.1 scfm (400 lpm)	17.8 in. (44 cm)									
		15 psi (1 bar)	0.17 gpm (0.66 lpm)	10.2 gph (39.6 lph)	20 psi (1.4 bar)	8.8 scfm (244 lpm)	14.3 in. (36 cm)	10.4 scfm (298 lpm)	16.5 in. (41 cm)	11.6 scfm (328 lpm)	19.3 in. (48 cm)											
					25 psi (1.7 bar)	9.4 scfm (259 lpm)	11.5 in. (29 cm)	11.0 scfm (312 lpm)	13.9 in. (35 cm)	12.2 scfm (342 lpm)	16.6 in. (42 cm)											
					30 psi (2 bar)	10.3 scfm (283 lpm)	10.3 in. (26 cm)	11.9 scfm (336 lpm)	13.2 in. (33 cm)	13.1 scfm (366 lpm)	16.1 in. (40 cm)	14.1 scfm (400 lpm)	17.6 in. (44 cm)									
					40 psi (2.8 bar)	11.8 scfm (331 lpm)	7.8 in. (20 cm)	13.3 scfm (385 lpm)	10.5 in. (26 cm)	14.5 scfm (415 lpm)	13.3 in. (33 cm)	15.6 scfm (449 lpm)	15.6 in. (39 cm)	16.5 scfm (471 lpm)	17.6 in. (44 cm)							
		20 psi (1.4 bar)	0.20 gpm (0.79 lpm)	12 gph (47.4 lph)	25 psi (1.7 bar)	9.4 scfm (259 lpm)	11.9 in. (30 cm)	11.0 scfm (312 lpm)	14.2 in. (36 cm)	12.2 scfm (342 lpm)	17.4 in. (44 cm)											
					30 psi (2 bar)	10.3 scfm (283 lpm)	9.9 in. (25 cm)	11.9 scfm (336 lpm)	12.2 in. (31 cm)	13.1 scfm (366 lpm)	15.1 in. (38 cm)	14.1 scfm (400 lpm)	17.1 in. (43 cm)									
					40 psi (2.8 bar)	11.8 scfm (331 lpm)	8.1 in. (20 cm)	13.3 scfm (385 lpm)	9.9 in. (25 cm)	14.5 scfm (415 lpm)	11.8 in. (30 cm)	15.6 scfm (449 lpm)	15.2 in. (38 cm)	16.5 scfm (471 lpm)	17.4 in. (44 cm)							

*Data collected with water at 70°F. Blank cells are not recommended.

For more performance data, visit spray.com/VXperformance



VX-SERIES AUTOMATIC AIR ATOMIZING NOZZLES

PERFORMANCE DATA

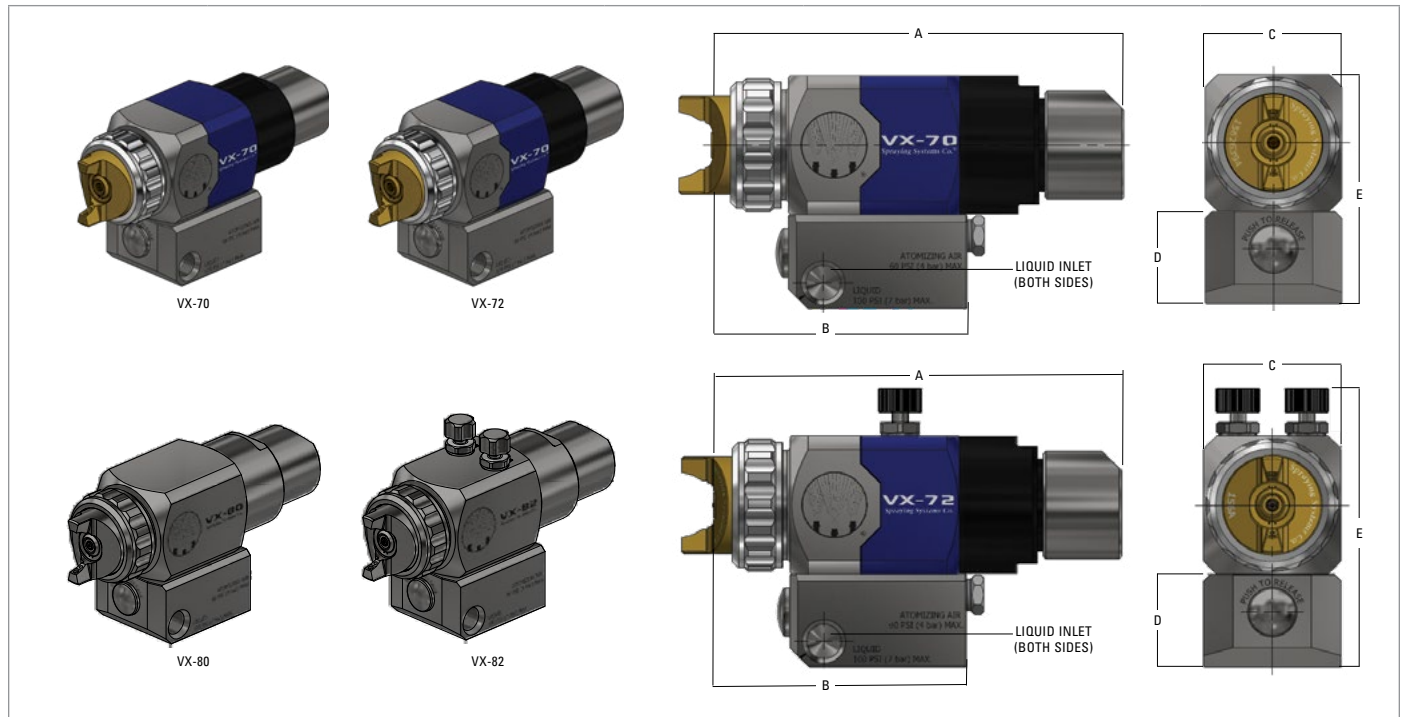
Setup No.	Fluid Nozzle and Air Cap	Liquid Pressure	Liquid Flow Rate		Atomizing Air Pressure	Total Air Flow (scfm) and Spray Width at 6 in. (15 cm) from Nozzle*												
						Fan Air Pressure												
						5 psi (0.3 bar)		10 psi (0.7 bar)		15 psi (1 bar)		20 psi (1.4 bar)		25 psi (1.7 bar)				
						Flow	Width	Flow	Width	Flow	Width	Flow	Width	Flow	Width			
SUVXE3	PFX60 + PAVX180A	3 psi (0.2 bar)	0.18 gpm (0.67 lpm)	10.8 gph (40.2 lph)	5 psi (0.3 bar)	6.3 scfm (167 lpm)	25.2 in. (63 cm)											
					10 psi (0.7 bar)	7.3 scfm (202 lpm)	20.5 in. (51 cm)											
					15 psi (1 bar)	8.1 scfm (222 lpm)	17.4 in. (44 cm)											
					20 psi (1.4 bar)	8.8 scfm (244 lpm)	14.6 in. (36 cm)	10.4 scfm (298 lpm)	16.8 in. (42 cm)									
		5 psi (0.3 bar)	0.23 gpm (0.82 lpm)	13.8 gph (49.2 lph)	10 psi (0.7 bar)	7.3 scfm (202 lpm)	25.6 in. (64 cm)											
					15 psi (1 bar)	8.1 scfm (222 lpm)	17.6 in. (44 cm)											
					20 psi (1.4 bar)	8.8 scfm (244 lpm)	16.3 in. (41 cm)	10.4 scfm (298 lpm)	18.7 in. (47 cm)									
					25 psi (1.7 bar)	9.4 scfm (259 lpm)	13.2 in. (33 cm)	11.0 scfm (312 lpm)	16.1 in. (40 cm)	12.2 scfm (342 lpm)	18.2 in. (46 cm)							
		10 psi (0.7 bar)	0.32 gpm (1.2 lpm)	19.2 gph (72 lph)	15 psi (1 bar)	8.1 scfm (222 lpm)	18.1 in. (45 cm)											
					20 psi (1.4 bar)	8.8 scfm (244 lpm)	16.0 in. (40 cm)	10.4 scfm (298 lpm)	17.9 in. (45 cm)									
					25 psi (1.7 bar)	9.4 scfm (259 lpm)	14.6 in. (36 cm)	11.0 scfm (312 lpm)	16.7 in. (42 cm)									
					30 psi (2 bar)	10.3 scfm (283 lpm)	12.4 in. (31 cm)	11.9 scfm (336 lpm)	14.1 in. (35 cm)	13.1 scfm (366 lpm)	16.9 in. (42 cm)							
	15 psi (1 bar)	0.40 gpm (1.5 lpm)	24 gph (90 lph)	20 psi (1.4 bar)	8.8 scfm (244 lpm)	15.0 in. (38 cm)	10.4 scfm (298 lpm)	17.0 in. (43 cm)										
				25 psi (1.7 bar)	9.4 scfm (259 lpm)	13.7 in. (34 cm)	11.0 scfm (312 lpm)	15.1 in. (38 cm)	12.2 scfm (342 lpm)	19.6 in. (49 cm)								
				30 psi (2 bar)	10.3 scfm (283 lpm)	11.7 in. (29 cm)	11.9 scfm (336 lpm)	14.2 in. (36 cm)	13.1 scfm (366 lpm)	17.4 in. (44 cm)								
				40 psi (2.8 bar)	11.8 scfm (331 lpm)	9.8 in. (24 cm)	13.3 scfm (385 lpm)	11.9 in. (30 cm)	14.5 scfm (415 lpm)	14.3 in. (36 cm)	15.6 scfm (449 lpm)	16.5 in. (41 cm)						
	20 psi (1.4 bar)	0.46 gpm (1.8 lpm)	27.6 gph (108 lph)	25 psi (1.7 bar)	9.4 scfm (259 lpm)	14.1 in. (35 cm)	11.0 scfm (312 lpm)	15.7 in. (39 cm)	12.2 scfm (342 lpm)	18.7 in. (47 cm)								
				30 psi (2 bar)	10.3 scfm (283 lpm)	12.2 in. (31 cm)	11.9 scfm (336 lpm)	14.1 in. (35 cm)	13.1 scfm (366 lpm)	16.4 in. (41 cm)	14.1 scfm (400 lpm)	19.2 in. (48 cm)						
				40 psi (2.8 bar)	11.8 scfm (331 lpm)	8.3 in. (21 cm)	13.3 scfm (385 lpm)	13.0 in. (32 cm)	14.5 scfm (415 lpm)	14.6 in. (37 cm)	15.6 scfm (449 lpm)	16.9 in. (42 cm)						

*Data collected with water at 70°F. Blank cells are not recommended.

For more performance data, visit spray.com/VXperformance



DIMENSIONS AND WEIGHTS



Model	A in. (mm)	B in. (mm)	C in. (mm)	D in. (mm)	E in. (mm)	Weight lbs. (kg)
VX-70	5-3/16 (132)	3-7/32 (81.8)	1-3/4 (44.5)	1-3/16 (30.2)	2-15/16 (50.8)	2.8 (1.3)
VX-80						3.8 (1.7)
VX-72	5-3/16 (132)	3-7/32 (81.8)	1-3/4 (44.5)	1-3/16 (30.2)	3-5/16 (76.2)	2.8 (1.3)
VX-82						3.8 (1.7)

SPECIFICATIONS

Max. Temperature: 180° F (82° C)
Max. Liquid Pressure: 100 psi (7 bar)
Max. Air Pressure: 60 psi (4 bar)
Max. Fan Pressure: 60 psi (4 bar)
Min. Cylinder Air Pressure: 45 psi (3 bar)
Approx. Anticipator/Follower Time: 50 ms.

Max. Cycle Rate: 250 cycles/min.
Liquid Inlet: 1/4 NPT or BSPT
Atomizing Air Inlet: 1/4 NPT or BSPT
Cylinder Air Inlet: 1/8 NPT or BSPT
Fan Air Inlet: 1/4 NPT or BSPT
Cylinder Air Exhaust: 1/8 NPT or BSPT



Spraying Systems Co.[®]

Experts in Spray Technology

North Avenue and Schmale Road, P.O. Box 7900, Wheaton, IL 60187-7901 USA

Tel: 1.800.95.SPRAY Intl. Tel: 1.630.665.5000

Fax: 1.888.95.SPRAY Intl. Fax: 1.630.260.0842

www.spray.com



Bulletin No. 750B ©Spraying Systems Co. 2024