

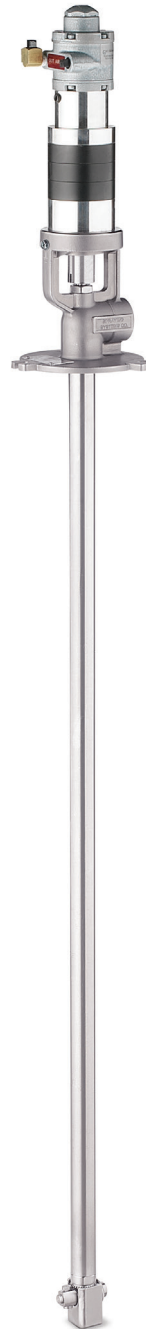
TANKJET® AA090 TANK CLEANER

FEATURES AND BENEFITS

- Versatile, high-impact tank cleaner provides efficient, consistent, reliable cleaning with virtually no maintenance
- Lightweight units can be installed permanently or easily moved from tank to tank
- Unit is constructed using corrosion-resistant materials with the motor positioned outside the tank away from harmful caustics for trouble-free operation and long service life
- Component and configuration options allow easy customization to meet the needs of a variety of cleaning operations. Choices include:
 - CE-rated air or electric motors
 - Extension lengths from 0.9 m up to 3 m
 - Three nozzle capacity sizes
- Flange mounting options include: three-prong (standard), ASME® raised face, and sanitary tri-clamp
- PTFE free version for Food Contact available
- ATEX-certified versions available

SPECIFICATIONS

TankJet® AA090 Tank Cleaner	Standard version	PTFE free version & PTFE free version (FC)
Max. tank diameter:	2.4 m	2.4 m
Operating principle:	Motor-driven	Motor-driven
Flow rate:	5.7 to 28 l/min	5.7 to 28 l/min
Operating pressure:	7 to 35 bar	7 to 35 bar
Max. temperature:	93 °C	60 °C
Materials:	Seals: EPDM / FFKM, PTFE (graphit filled), PA All other metallurgy: 1.4401, 1.4571	Seals: EPDM, PE UHMW, PA All other metallurgy: 1.4401, 1.4571
Inlet connection:	1" NPT or BSPT (F)	1" NPT or BSPT (F)
Motor options:	Air & electric	Air & electric
Electric motors:	230 V, 230/400 V, 50 or 60 Hz, up to IP 66	
ATEX:	available	not available
Optional accessories:	Strainers, recommended mesh size: < 150 µm See chapter E	



TankJet AA090 tank cleaner with air motor



TankJet AA090 tank cleaner

SPRAY COVERAGE
360°

MOUNTING OPTIONS

Vertical	↑	↓
Horizontal	←	→
45° Up	↖	↗
45° Down	↘	↙



IDEAL FOR CLEANING:

- Drums
- Totes
- Process tanks

PERFORMANCE DATA

Model	Nozzle Size	Total Flow of Equal Capacity, (l/min*) Liquid Inlet Pressure				
		7 bar	15 bar	20 bar	30 bar	35 bar
AA090	W0005	5.7	7.6	9.1	10.6	12.1
	W0010	10.2	14.0	17.0	19.3	22.0
	W0014	13.2	17.8	22.0	25.0	28.0

*Note: Flow rates tabulated above include pressure drop through unit.

**AIR MOTOR
CYCLE TIME DATA**

Air Pressure (bar)	Approx. Speed (rpm)		Approx. Time for One Complete Cycle (min.)	
	Liquid Pressure (bar)			
	7	35	7	35
0.41	1	1.2	31	25.8
0.55	3	3.3	10.3	9.4
0.69	5.3	5.6	5.8	5.5

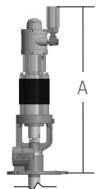
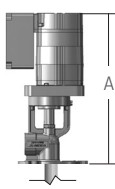
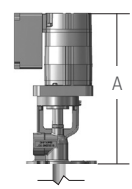
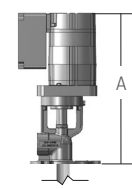
**ELECTRIC MOTOR
CYCLE TIME DATA**

Type	Volt (V)	Frequency (Hz)	Power max. (W)	IP Rating	Speed (r/min)	Approx. Time for 1 Complete Cycle (min)
Standard	230	50	90	IP56	6.3	4.9
Standard	230/400	50	120	IP65	5.3	5.8
Standard	230/400	60	120	IP66	6.4	4.9
ATEX	230/400	50	120	IP66	5.3	5.8
ATEX	230/400	60	120	IP66	6.4	4.9

For lances, mounting kits, adapters and more, see page E6



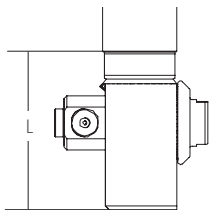
DIMENSIONS AND WEIGHTS

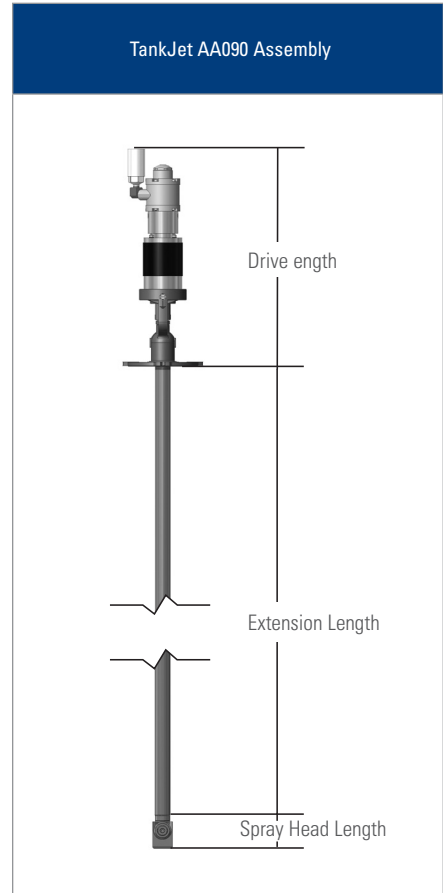
Air motor	Electric motor 230 V	Electric motor 230/400 V 50 and 60 Hz	Electric motor 230/400 V 50 and 60 Hz, ATEX
			
Length: 321 mm Weight: 6.4 kg	Length: 427 mm Weight: 7 kg	Length: 335 mm Weight: 10 kg	Length: 362 mm Weight: 10 kg

*Extension lengths available from 0.3 m to 3.0 m

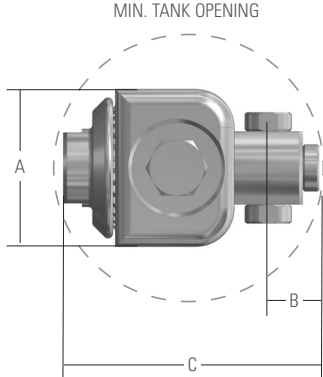
**Add additional weight from the flange options' chart if not using the standard flange.

Extension Length	Weight
0.3 m	0.6 kg
0.6 m	1.2 kg
0.9 m	1.8 kg
1.2 m	2.4 kg
1.5 m	3.0 kg
1.8 m	3.6 kg
2.1 m	4.2 kg
2.4 m	4.8 kg
2.7 m	5.4 kg
3.0 m	6.0 kg



TankJet AA090 Spray Head	L (mm)	Weight (kg)
	54	0.8





DIMENSIONS AND WEIGHTS

TankJet AA090 Spray Head	Min. Tank Opening (mm)	A (mm)	B (mm)	C (mm)
	59	29	18	51

FLANGE OPTIONS

Flange Type	Size	Sales Code	Net Weight (kg*)
Three-Prong (standard) 	—	3P	—
Sanitary Tri-Clamp Flange 	2.5	2.5SF*	—
	3	3SF	0.1
	4	4SF	1.4

Flange Type	Size	Sales Code	Net Weight (kg*)
EN 1092-1 Flange 1.4571 	DN 100	S05	5.7
	DN 65	S06	3.6
	DN 125	S07	8.4
ASME- 150# Raised Face Flange 	3	3RF	4.8
	4	4RF	7.0
	6	6RF	11.1

*Add additional weight to tank cleaner if not using the standard flange.

ORDERING INFORMATION

TANKJET AA090

Contact your local sales engineer for information about TankJet AA190 tank cleaners