

8

7

6

5

4

3

2

1

ECO NO.	DATE	REVISION & DESCRIPTION	REVWED	CHECKED

F

F

E

E

D

D

C

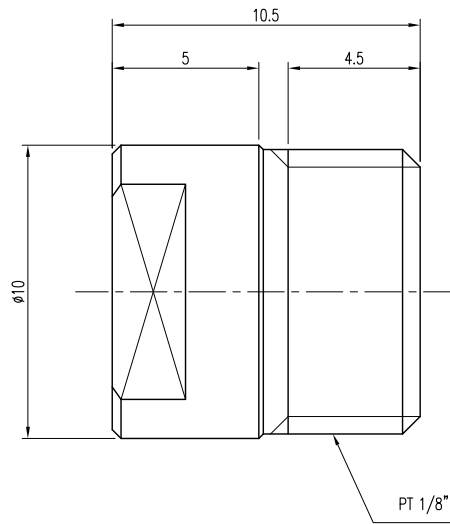
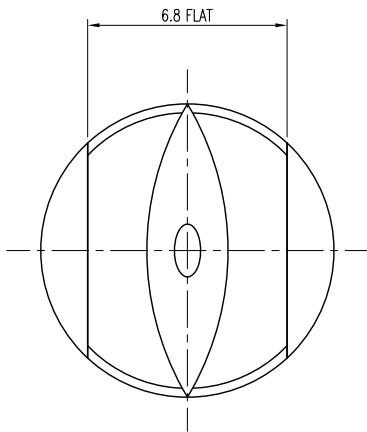
C


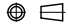
B

B

A

A



1	BODY	-	SUS303	1	
ITEM	DESCRIPTION	SIZE	MATERIAL	Q'TY	REMARKS
DESC.	KHB1/8W-SS6508S VEEJET				CUSTOMER :
APP BY.	CH BY.	DES BY.	PRODUCT NAME :		
J.H.JUNG	S.Y.MIN	E.J.JUNG			
 Spraying Systems Co., Korea Expert in Spray Technology		SCALE :	CREATE DATE :		
		4:1	2022.02.25		
		THIRD ANGLE	DWG. NO. :		
			56060-027-C1		

A4(297x210mm)