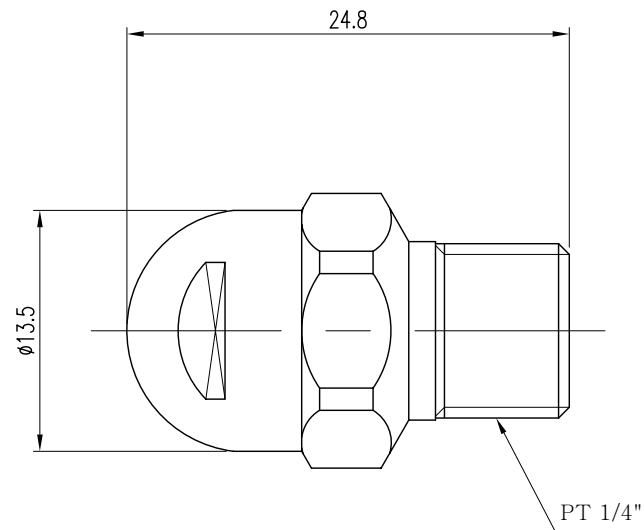
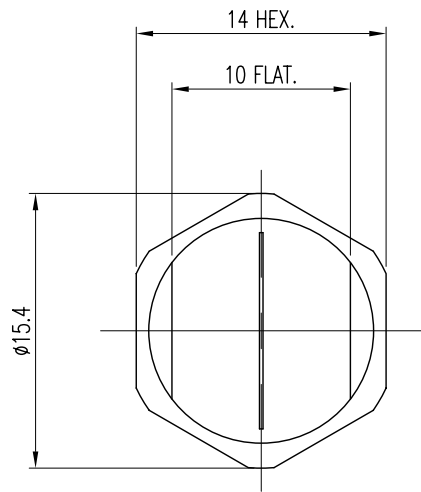


NO.	DATE	REVISION & DESECRIPTION	REVIWED	CHECKED
△				
△				



Performance Data

UniJet Blow-off Nozzles

Inlet Conn. NPT or BSPT	Tip Type	Width of slot Inches (mm)	Capacity scfm (NI/min)				Coverage at 6" (150 mm)	
			10 psi (.7 bar)	25 psi (2 bar)	50 psi (4 bar)	100 psi (6 bar)	10 psi (1 bar)	50 psi (4 bar)
1/8" 1/4" 3/8" (M or F)	L	.008 (.20)	.60 (17)	1.3 (41)	2.1 (68)	3.6 (93)	10 (275)	16.5 (419)
	P	.013 (.33)	1.2 (34)	2.0 (63)	3.1 (101)	5.4 (140)	5.5 (152)	10 (254)
	Q	.023 (.58)	2.2 (62)	3.9 (123)	6.2 (201)	10.7 (278)	8.5 (228)	13 (330)
	R	.045 (1.1)	3.9 (110)	6.4 (207)	11.0 (357)	19.0 (493)	6 (158)	9.5 (241)
	U	.045 (1.1)	6.3 (178)	11.0 (354)	18.5 (595)	31 (807)	10.5 (275)	14.5 (368)
	V	.091 (2.3)	12.5 (354)	23 (724)	37 (1184)	61 (1591)	9 (238)	13.5 (343)

지시외 용접치수	절삭가공치수의 지시외 일반치수 허용차 (KS B 0412 중급)					
	구분	0.5 이상 3 이하	3 을초과 6 이하	6 을초과 30 이하	30 을초과 120 이하	120 을초과 1000 이하
	허용차	±0.1	±0.2	±0.3	±0.5	±0.8
지시외 모서리부분	SURFACE ROUGHNESS(KS B 0617)					
C=	다듬질기호	~	▽	▽▽	▽▽▽	▽▽▽▽
R=	Rmax	100S	25S	6.3S	0.8S	

SPECIFICATION	
PRESSURE (XXX) (kg/cm ²)	SPRAY ANGLE (±7°) (XXX) ~ (XXX) ~ (XXX) (XXX) ~ (XXX) ~ (XXX) CAPACITY (ℓ/min ±7%)

DESC.	B1/4TBP-SS BLOW-OFF				CUSTOMER :	
APP BY.	CH BY.	DES BY.	SALES BY.	ASS'Y DWG No. :		
		J.KIM		USA DWG. NO.	BLANK DWG. NO.	
Spraying Systems Co., Korea				SCALE :	DATE :	
				1/1	2008.04.02	
				DWG. NO.		