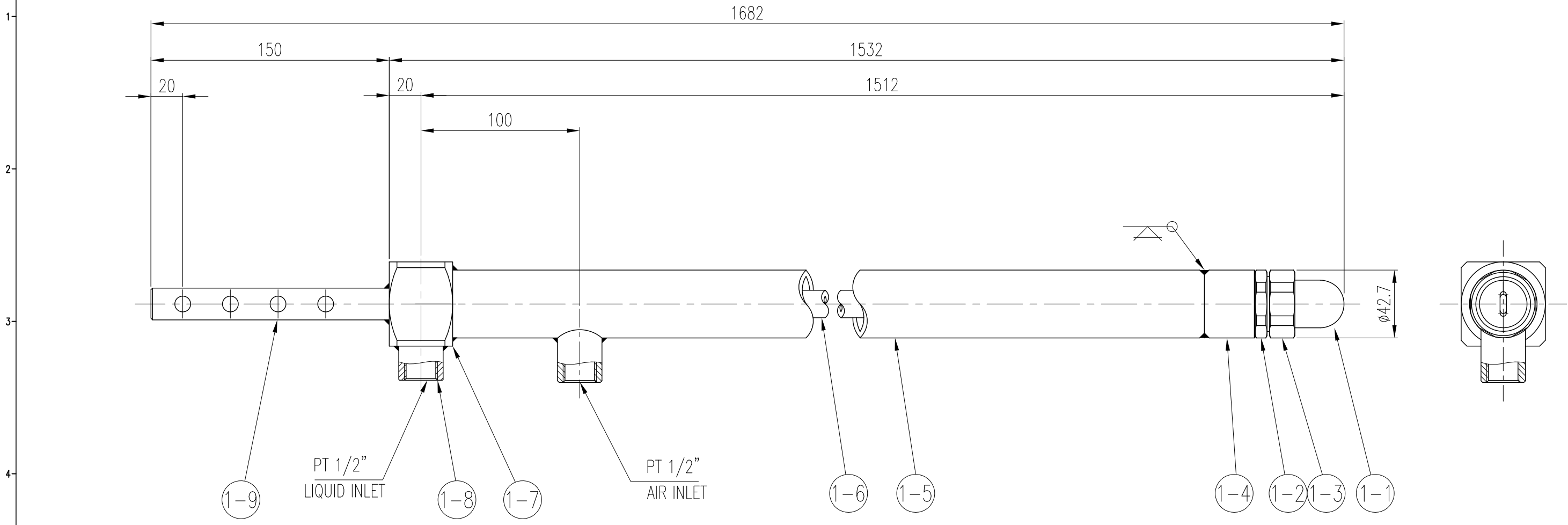


지시의 용접처수		지시의 모서리부분		지시의 용접부		지시의 용접부		지시의 용접부		표면 거칠기	
구분	치수	구분	치수	구분	치수	구분	치수	구분	치수	구분	치수
0.5	~ 6	30	~ 120	120	~ 315	315	~ 1000	1000	~ 2000	Ra	25
6	~ 30	120	~ 315	315	~ 1000	1000	~ 2000			Rmax	100S
±0.1	±0.2	±0.3	±0.5	±0.8	±1.2					다듬질	▽
											▽▽
											▽▽▽
											▽▽▽▽

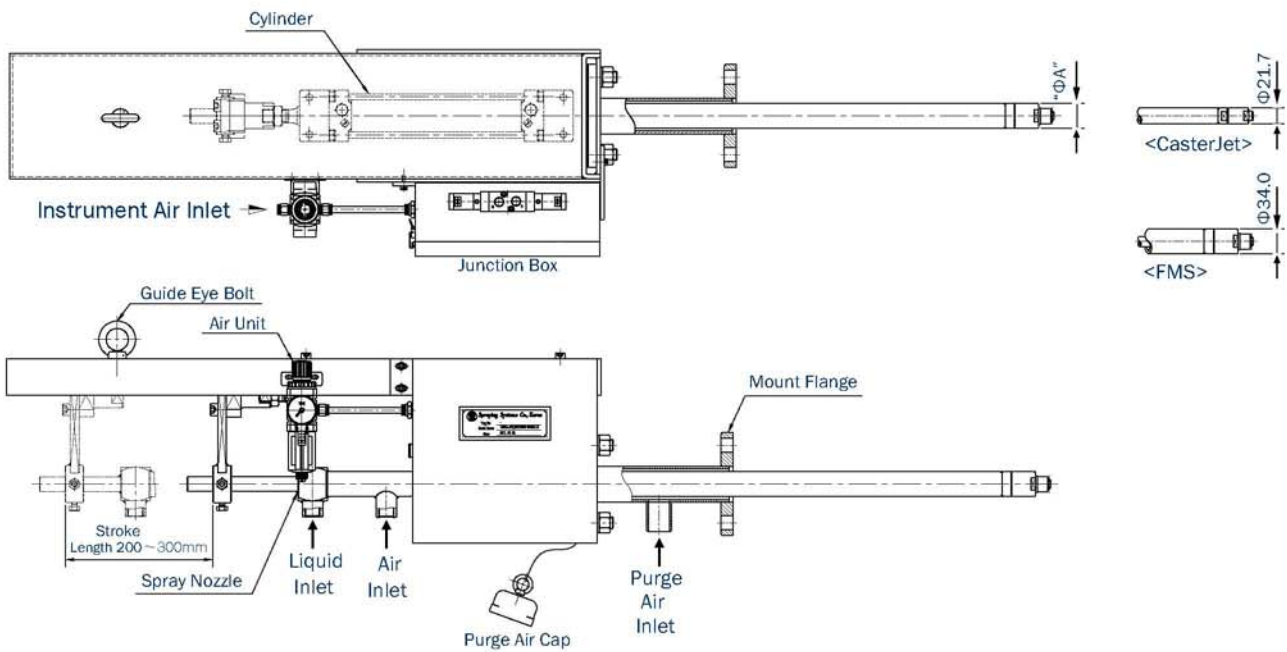
NO.	DATE	REVISION & DESCRIPTION	SIGNATURE	
			REVIEWED	CHECKED



1-5	OUT-SIDE PIPE(KPI150314-316LSS-03)	316LSS	1	SMLS 1-1/4"xSch80					
1-4	NOZZLE ADAPTER (KAD150314-316LSS-01)	316LSS	1		1-9	BRACKET (KBR150314-304LSS)	304SS	1	
1-3	AIR CAP NUT (KCP150314-316LSS)	316LSS	1		1-8	LIQUID SOCKET (KSO150314-316LSS)	316LSS	1	
1-2	FLUID TIP (KFMTPG-125-188-316LSS)	316LSS	1		1-7	BODY ADAPTER (KAD150314-316LSS-02)	316LSS	1	
1-1	AIR CAP (KFM1A150314-310S-01)	310SS	1		1-6	IN-SIDE PIPE (KPI150314-316LSS-04)	316LSS	1	
ITEM	COMPONENT	MATERIAL	Q'TY	REMARKS	ITEM	COMPONENT	MATERIAL	Q'TY	REMARKS

NO.	DESCRIPTION	MAT(KS)	UNIT	TOTAL QUANTITY	PERUNIT WEIGHT(g)	TOTAL WEIGHT(kg)	REMARK'S
posco							
TITLE		발원송풍 PLANT	KFM1-150314-310S		SCALE	NONE	PROJECTION
		고압용기 FACILITY	SNCR SYSTEM INJECTION NOZZLE LANCE #1, #4		SIZE	A1	DIMENSION
					SENDER Dwg. NO.	56150-314-C2	
POSCO	DRAWN	CHECKED	REVIEWED	APPROVED	DRAWN	CHECKED	REVIEWED
SIGNATURE					ESRYU	JHJUNG	BSKIM
DATE					2015,02	2015,02	2015,02

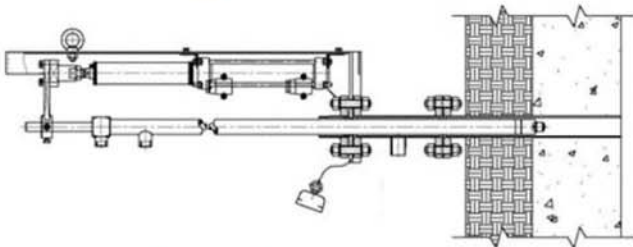
Dimensions



Description

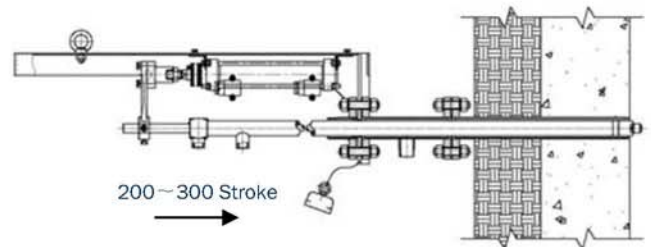
Step 0 :

Purge Air Supply



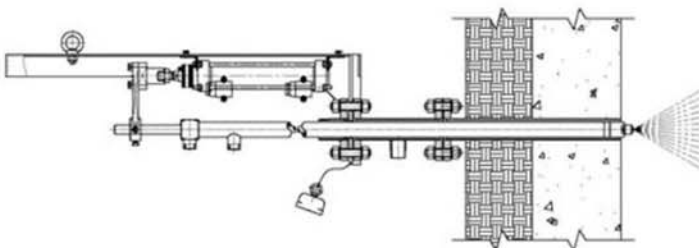
Step 1 :

Forward Cylinder



Step 2 :

Liquid Supply



Spraying Systems Co., Korea®
Experts in Spray Technology



Spray
Nozzles



Spray
Control



Spray
Analysis



Spray
Fabrication

P.O Box 405-821
151BL-6L, 722 Kojan-Dong, Namdong-Gu, Incheon City, Korea
Spraying Systems Co., Korea
Tel : 82-32-821-5633 Fax : 82-32-811-6629
E-mail : info@spray.co.kr
www.spray.co.kr
Bulletin No.212K

Printed in Korea Spraying Systems Co., Korea 2012