



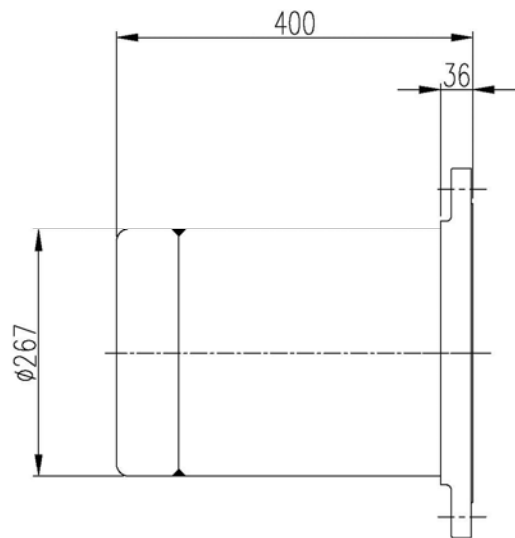
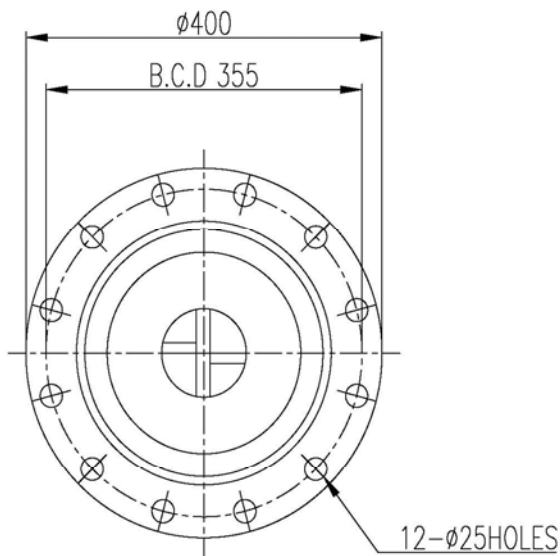
LUBRICATION/COOLING/STRIP WASH-OFF

PERFORMANCE

... the stated pressure in bar.

| Nozzle Model Number | Nozzle Type / Inlet Conn.(in.) HF | Capacity Size | Capacity (Liter per Minute) | | | | | | | | Spray Angle (°) | | |
|---------------------|--------------------------------------|---------------|-----------------------------|------|------|------|------|------|-------|-------|-----------------|-----|-----|
| | | | 0.2 | 0.5 | 0.7 | 1 | 1.5 | 2 | 3 | 4 | 0.2 | 0.5 | 1.5 |
| 10HF | 10" | 1200 | 3131 | 4580 | 5571 | 6564 | 7600 | 9029 | 10881 | 12421 | 83 | 90 | 95 |

90° Model



ORDERING INFO

| SPRAY NOZZLE | | | | | | |
|---------------|-------------|---------------|---------------|-------------|---|----|
| K | 10HF | - | 316SS | 1200 | - | 90 |
| | | | | | | |
| National code | Nozzle Type | Material Code | Capacity Size | Spray Angle | | |





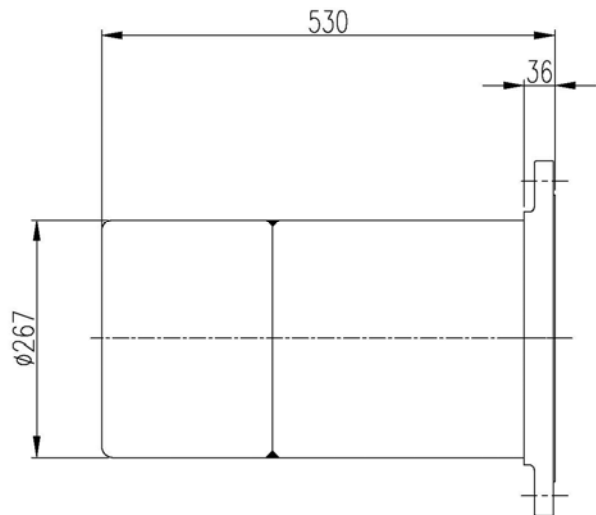
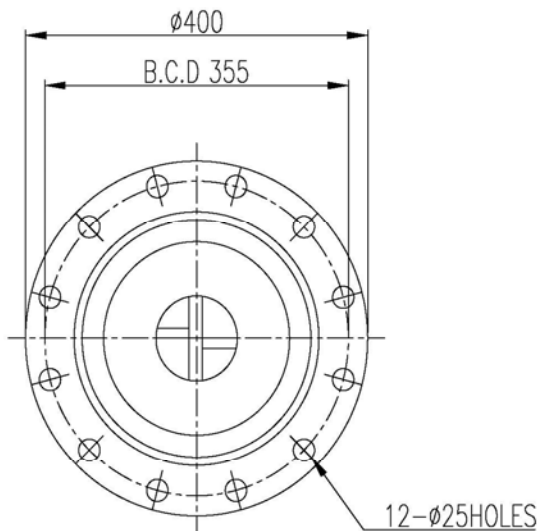
LUBRICATION/COOLING/STRIP WASH-OFF

PERFORMANCE

... the stated pressure in bar.

| Nozzle Model Number | Nozzle Type / Inlet Conn.(in.) HF | Capacity Size | Capacity (Liter per Minute) | | | | | | | | Spray Angle (°) | | |
|---------------------|--------------------------------------|---------------|-----------------------------|------|------|------|------|------|-------|-------|-----------------|-----|-----|
| | | | 0.2 | 0.5 | 0.7 | 1 | 1.5 | 2 | 3 | 4 | 0.2 | 0.5 | 1.5 |
| 10HF | 10" | 1200 | 3131 | 4580 | 5571 | 6564 | 7600 | 9029 | 10881 | 12421 | 110 | 120 | 123 |

120° Model



ORDERING INFO

| SPRAY NOZZLE | | | | |
|---------------|-------------|---------------|---------------|-------------|
| K | 10HF | - | 316SS | 1200 - 120 |
| | | | | |
| National code | Nozzle Type | Material Code | Capacity Size | Spray Angle |



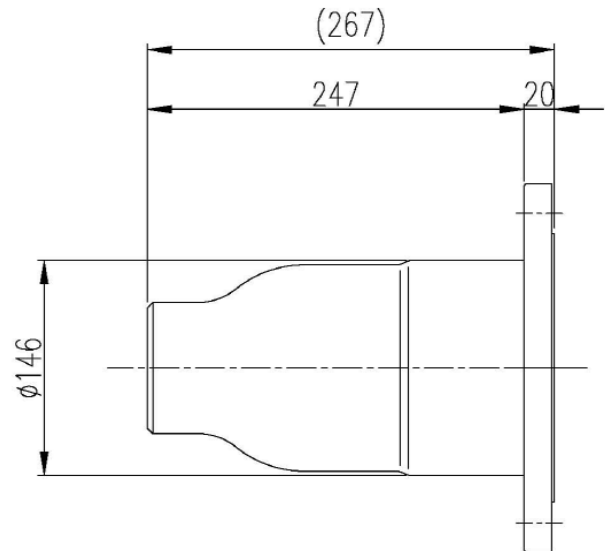
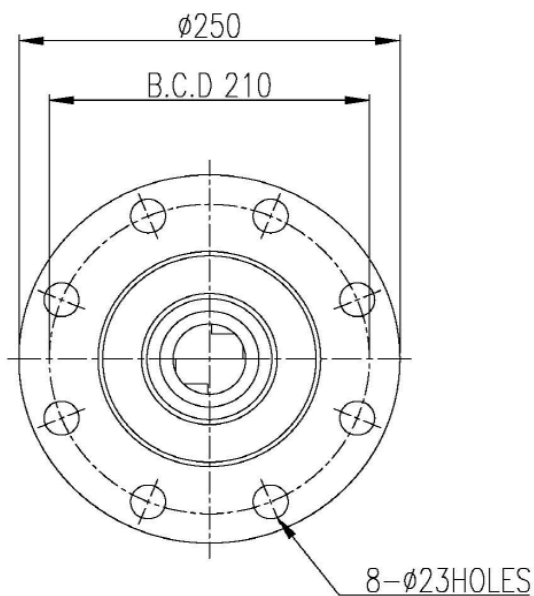


LUBRICATION/COOLING/STRIP WASH-OFF

PERFORMANCE

... the stated pressure in bar.

| Nozzle Model Number | Nozzle Type / Inlet Conn.(in.) HF | Capacity Size | Capacity (Liter per Minute) | | | | | | | | Spray Angle (°) | | |
|---------------------|--------------------------------------|---------------|-----------------------------|------|------|------|------|------|------|------|-----------------|-----|----|
| | | | 0.2 | 0.5 | 0.7 | 1 | 1.5 | 2 | 3 | 4 | 0.5 | 1.5 | 4 |
| 5HF | 5" | 320 | 800 | 1220 | 1420 | 1680 | 2020 | 2310 | 2790 | 3180 | 97 | 100 | 91 |



ORDERING INFO

| SPRAY NOZZLE | | | |
|---------------|-------------|---------------|---------------|
| K | 5HF | - 316SS | 320 |
| | | | |
| National code | Nozzle Type | Material Code | Capacity Size |

