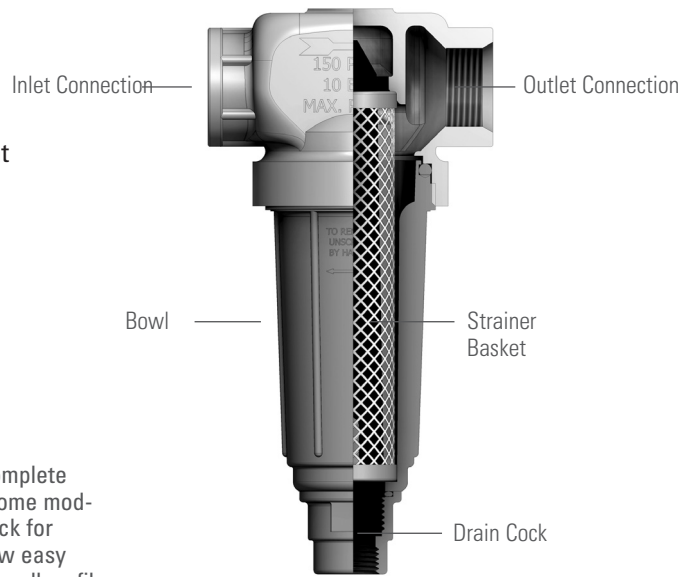


**STRAINER
FEATURES AND BENEFITS**

- Reduce clogging in tank cleaners and tank cleaning nozzles
- Remove contaminants from liquid to ensure continuous movement of rotating spray heads
- Extend wear life of nozzles, valves and pumps
- Wide range of options: heavy duty, heavy duty high pressure, self cleaning and a wide range of mesh sizes



T-Style Strainer

T-strainers feature a removable bottom cap or plug for complete withdrawal of the screen assembly during cleaning. On some models, the bottom pipe plug can be replaced with a drain cock for quick-flush cleaning. Models with a clear nylon bowl allow easy visual inspection of the internal screen. Self-clean designs allow filtered liquid to pass through, while liquid particles are returned back to the liquid supply through a return outlet.

STRAINER OPTIONS

TWD

- 1/4", 3/8", 1/2", 3/4", 1", 1-1/4", 1-1/2", 2", 2-1/2" female conn.
- Removable bottom plug for easy screen cleaning
- Bottom plug can be replaced with drain cock for flush cleaning
- Max. pressure: 20 bar
- Materials: Aluminum, brass, stainless steel
- Mesh: 16, 30, 50, 80, 100, 40 x 200 Dutch weave
- Use TWC for connections of 3" and up.
- TWC handles large flow rates with minimal pressure drops. Call your local specialist for application assistance.



Model B8310A:

- Designed for high pressure operation
- Removable bottom plug for easy flush cleaning of screen
- 1/4", 3/8", 1/2" female conn.
- Max. pressure: 345 bar at 66 °C
- Material: Stainless steel
- Mesh: 16, 30, 50, 100



AAB124-AL

- 3/4", 1", 1-1/4", 1-1/2", 2", 2-1/2" female conn. (Inlet connections vary depending on strainer type)
- Larger size screen area requires less frequent cleaning
- Self-cleaning styles and versions with mounting lugs available
- AA124 strainers material: aluminium (head) and nylon (bowl)



Strainer Type	Strainer Part No.	Material*	Max. Pressure	Mesh Sizes
124	AAB124-AL	Aluminum head/nylon bowl	10 bar	16, 30, 50, 80, 100
124ML with mounting holes**	AAB124ML-AL	Aluminum head/nylon bowl	10 bar	16, 30, 50, 80, 100
124A self-cleaning version	AAB124ASC-NYB	Aluminum head/nylon bowl	8 bar	16, 30, 50, 80, 100
430ML with mounting holes**	AAB430ML	Polypropylene head/nylon bowl	8 bar	16, 30, 50, 80, 100, 120, 200 [†]
430 self-cleaning version	AAB430SC	Polypropylene head/nylon bowl	5 bar	16, 30, 50, 80, 100, 120, 200 [†]

*Max. temperature for plastic 38 °C; max. temperature for metal 82 °C.

**For mounting on machinery or angle iron.

[†]120 only for 1-1/4" and 1-1/2" sizes; 200 only for 3/4" and 1" sizes.

AAB430

- 3/4", 1", 1-1/4", 1-1/2"
- Larger size screen area requires less frequent cleaning
- Self-cleaning styles and versions with mounting lugs available
- AA430 material is PP



Strainer Type	Strainer Part No.	Material*	Max. Pressure	Mesh Sizes
430ML with mounting holes**	AAB430ML	Polypropylene head/nylon bowl	8 bar	16, 30, 50, 80, 100, 120, 200 [†]
430 self-cleaning version	AAB430SC	Polypropylene head/nylon bowl	5 bar	16, 30, 50, 80, 100, 120, 200 [†]

AAB122-PP

- 1/2", 3/4"
- Max. pressure: 10 bar at 38 °C
- Materials: PP
- Version ML with M6 mounting connections
- Mesh: 16, 30, 50, 80, 100, 200



AAB122-NYC:

- 1/2", 3/4"
- Max. pressure: 10 bar at 38 °C
- Materials: PP (head), NYC (clear nylon for bowl)
- Mesh: 16, 30, 50, 80, 100, 200



MESH RECOMMENDATIONS

Nozzle Type	Mesh Recommendation
Motor Driven Tank Cleaner	100 min
Fluid Driven (Turbine)	30 to 50
Fluid Driven (Reactionary Force and Constant Speed)	200 min
Fixed Stationary	Refer to Mesh to Micron Conversion Chart

MESH TO MICRON CONVERSION CHART

Mesh	Micron	mm	ISO-Colour
16	1191	1.2	Brown Red
20	840	0.84	Beige
30	590	0.58	Red
50	297	0.29	Blue
60	250	0.24	Blue
80	177	0.17	Yellow
100	149	0.14	Green
200	74	0.08	Pink

Mesh size are marked on the screen using this colour scheme where possible.

PRESSURE DROP CALCULATION

Pressure drop formula using K-Factor (see table below)

Pressure drop dp (bar) is calculated using the flow (V) in m³/h and the flow coefficient K, that is indicated for each strainer. Sample for a AAB124AL-1-1/2-NYB-50 (K-Factor: 28.3) and a flow of 250 l/min (15 m³/h):

$$\Delta p = \left(\frac{V}{K} \right)^2 \quad \Delta p = \left(\frac{15}{28,3} \right)^2 = 0.28 \text{ bar}$$

DIMENSIONS AND WEIGHTS

Strainer	Model	Inlet Conn. in.	L (mm)	W (mm)	B (mm)	Net Weight (kg)	K-Factor
	TWD	1/4	99.6	63.5	82.2	0.71	1.6
		3/8	124.6	82.6	100.7	0.80	3.5
		1/2	124.6	82.6	100.7	0.80	4.3
		3/4	191.4	114.3	158.1	2.28	8.7
		1	191.4	114.3	158.1	2.17	12.4
		1-1/4	262.1	152.4	212.9	5.39	22
		1-1/2	262.1	152.4	212.9	5.20	27.3
		2	314.1	203.2	249	10.14	49.5
	8310A	1/4	154.7	69.9	135.6	2.18	1.6
		3/8	154.7	69.9	135.6	2.15	3.5
		1/2	154.7	69.9	135.6	2.12	4.3
	AA124	1-1/4	238.8	135.7	203.7	2.19	23.7
		1-1/2	238.8	135.7	203.7	2.18	28.3
		2	304.8	188.9	254	6.10	63.1
		2-1/2	304.8	188.9	254	5.81	69.2
	AA124SC	1-1/4	222.3	135.7	186.8	1.51	22.9
		1-1/2	222.3	135.7	186.8	1.48	29.5

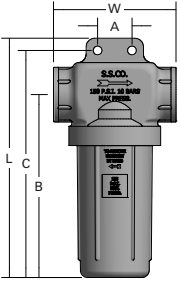
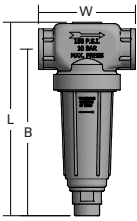
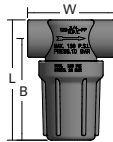
Based on the largest/heaviest version of each type.

MATERIAL

CODE

Aluminum	AL
Brass	B
Ductile Iron	No code
Nylon	NYB
Polypropylene	PP
Polypropylene head/clear nylon bowl	NYC
303 stainless steel	SS
316 stainless steel	316SS

DIMENSIONS AND WEIGHTS

Strainer	Model	Inlet Conn. (in.)	L (mm)	W (mm)	A (mm)	B (mm)	C (mm)	Net Weight (kg)	K-Factor
	AAB124ML	3/4	202	106.4	25.4	149.6	189.3	0.88	8.7
		1	202	106.4	25.4	149.6	189.3	0.86	13
		1-1/4	246.1	135.7	38.1	183.7	232.6	1.18	23.7
		1-1/2	246.1	135.7	38.1	183.7	232.6	1.11	28.3
		2	367.8	188.9	60.3	285.3	351.9	3.06	63.1
		2-1/2	367.8	188.9	60.3	285.3	351.9	3.06	69.2
	AAB124ASC	3/4	211.5	106.4	-	182.1	-	1.49	8.8
		1	211.5	106.4	-	182.1	-	1.43	13.4
	AAB122	1/2	102	77.8	-	92.1	-	0.11	4.3
		3/4	102	77.8	-	92.1	-	0.10	8.7

Based on the largest/heaviest version of each type.

ORDERING INFORMATION

TWD AND TWC STRAINERS

Inlet Conn.*	Model	Material Code	Mesh Size	EXAMPLE
				B1/4 - TWD - SS - 100

AA124/AA430 SELF-CLEANING STRAINER

Model*	Inlet Conn.	Self Cleaning**	Material Code	Mesh Size	EXAMPLE
					AAB124 - 1-1/4 - SC - NYB - 50

8310A STRAINER

Model*	Inlet Conn.	Mesh Size	EXAMPLE
			B8310A - 3/8 - 100

*BSPT connections require the addition of a "B" prior to the inlet connection or model.

**Leave blank for NPT version