

**TANKJET® 27500 AND 27500-R  
TANK CLEANING NOZZLE  
FEATURES AND BENEFITS**

- With rotation driven by the reactionary force of the cleaning liquid, these rotating nozzles provide excellent cleaning and rinsing and are especially well-suited to clean-in-place (CIP) systems
- Spray angles range from 180° to 360° and can be used to clean specific areas or the entire tank interior
- Made of corrosion- and chemical-resistant PTFE fluoropolymer resin, both models offer peak performance when used with debris-free liquid and deliver greater impact than static spray balls
- The rotating spray heads on 27500-R nozzles can be easily removed from the body for inspection and maintenance
- 27500-R nozzles with 1/2 in. and 3/4 in. inlet connections are also available in carbon-filled PTFE for improved thermal characteristics and higher mechanical strength
- ATEX available for D27500



SPRAY COVERAGE	
<b>A</b>	180° Up 
<b>B</b>	180° Down 
<b>C</b>	270° Up 
<b>D</b>	270° Down 
<b>E</b>	360° 

MOUNTING OPTIONS		
Vertical	↑	↓
Horizontal	←	→
45° Up	↖	↗
45° Down	↙	↘



**IDEAL FOR CLEANING:**

- Broke chests
- Chemical tanks
- PCB washers
- Process tanks
- Pharmaceutical tanks

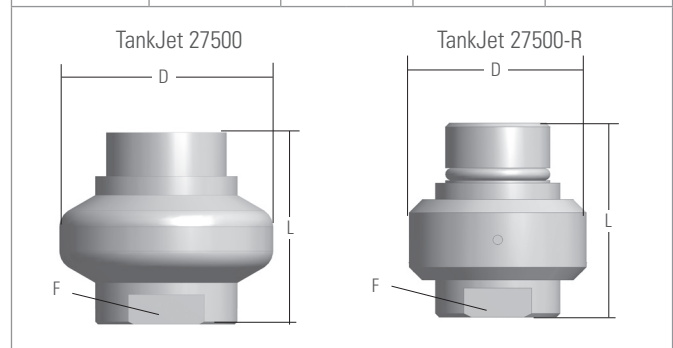


**SPECIFICATIONS**

TankJet® Cleaning Nozzle	27500	27500-R	D27500
Max. tank diameter:	4.3 to 5.5 m		
Operating principle:	Fluid-driven reactionary force		
Flow rate:	34 to 850 l/min		
Recommended pressure: (operating pressure)	1.5 to 2.8 bar (0.7 to 3.5 bar)		
Max. temperature:	93 °C	70 °C	
Materials:	PTFE fluoropolymer resin or CTEF		PTFE, graphite filled, electrically conductive
Inlet connection:	1/2", 3/4" and 1" NPT or BSPT (F)		
Required strainers:	Recommended mesh size: < 150 µm See chapter E		
ATEX:	No	Yes	

**DIMENSIONS AND WEIGHTS**

Model	Inlet Conn. in.	D (Dia.) (mm)	L (mm)	F (Flats) (mm)
(D)27500	1/2	49.2	60.3	28.6
(D)27500 27500-R	3/4	57.2	66.6	33.3
(D)27500 27500-R	1	69.8	76.2	45.3

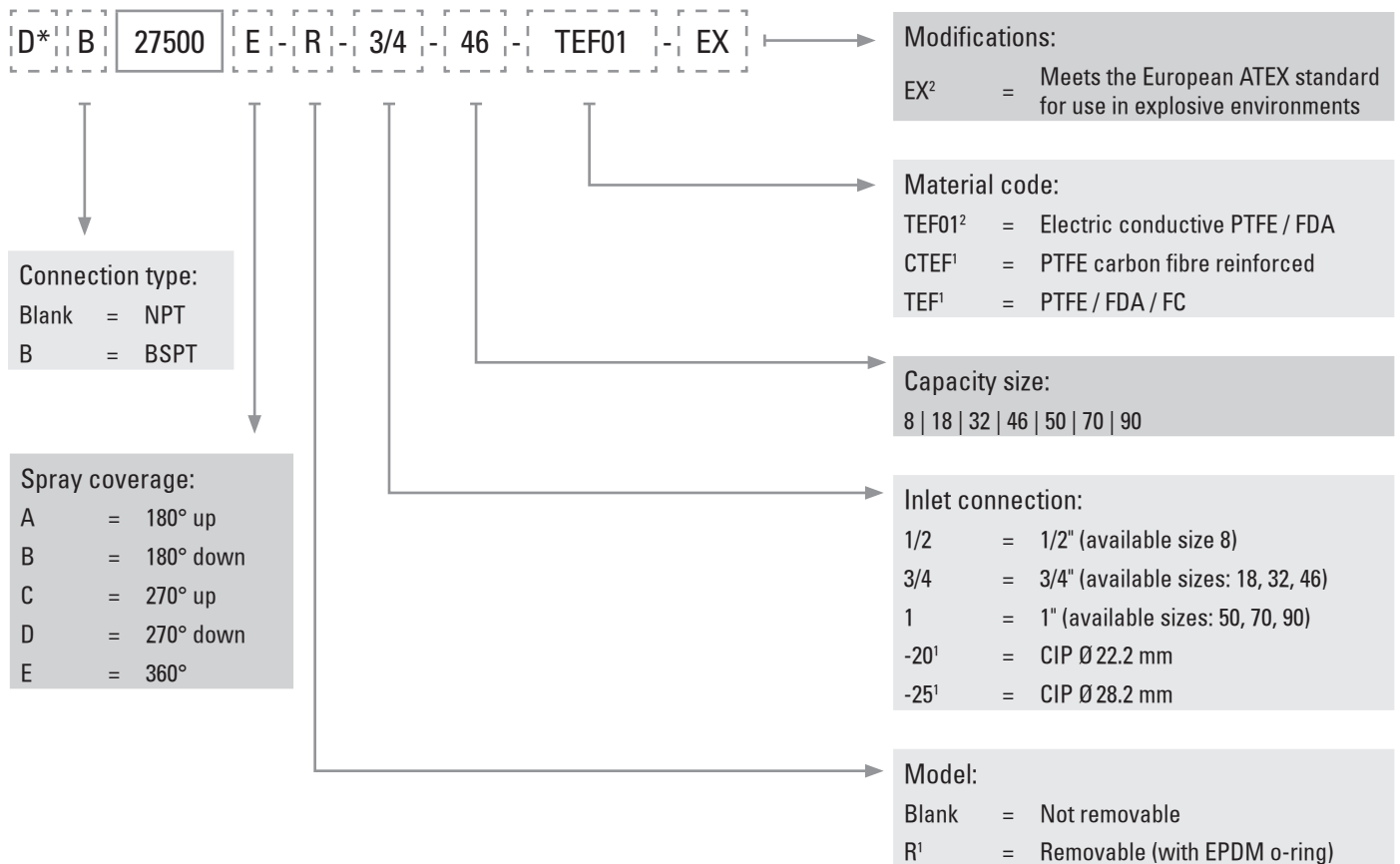


PERFORMANCE DATA

Model		Inlet Conn.	Capacity Size	Orifice Dia. (mm)	Liquid Flow Capacity (l/min)					Max. Tank Dia. (m)
(D)27500	27500-R				0.7 bar	1.4 bar	2.1 bar	2.8 bar	3.4 bar	
•	•	1/2	8	2.4	15	22	27	31	34	4.3
•	•	3/4	18	3.2	34	48	59	68	76	4.3
•	•		32	4.7	61	89	103	126	136	4.3
•	•		46	6.0	87	130	148	182	196	4.3
•	•	1	50	6.0	95	140	161	197	215	5.5
•	•		70	7.1	133	195	225	275	300	5.5
•	•		90	9.0	172	250	290	355	385	5.5

ORDERING INFORMATION

TANKJET (D)27500 AND 27500-R



<sup>1</sup> = Only available for 27500

<sup>2</sup> = Only available for D27500

\* = D required for ATEX version

