



Spraying Systems Co.
Experts in Spray Technology

PHARMACEUTICALS & BIOLOGICS



PHARMACEUTICALS & BIOLOGICS

CATALOG 12B

A COMPREHENSIVE NEW RESOURCE

Catalog 12B is a new and innovative catalog for the pharmaceutical and biologics industries. Our diverse product offering for these multifaceted industries is now available as a single, comprehensive resource, enabling users to quickly and easily access the information they require.





TABLE OF CONTENTS

Technical Reference	3	
Tablet Coating	17	
Fluid Bed Processing	31	
High-Shear Granulation	45	
Spray Drying	49	
Vessel Cleaning	54	
Specialty Nozzles	72	
Solid Dosage Processing	79	
Appendix	94	



TECHNICAL REFERENCE

	PAGE		PAGE
Table of Equivalents	4	Estimating Pressure Drops Through Fluidline Accessories	11
Basic Nozzle Characteristics	5	Flow of Water Through Schedule 40 Steel Pipe	12
Spray Drop Size (Atomization)	6	Other Spray Performance Considerations	13
Drop Size Terminology	7	Common Causes of Spray Nozzle Problems	14
Capacity	8	Preventing and Solving Spray Nozzle Problems	15
Spray Angle and Coverage	9	General Safety Instructions	16
Impact	10		

TABLE OF EQUIVALENTS

VOLUMETRIC UNIT EQUIVALENTS

	Cubic Centimeter	Fluid Ounce	Pound of Water	Liter	US Gallon	Cubic Foot	Cubic Meter
Cubic Centimeter	1	.034	2.2×10^{-3}	.001	2.64×10^{-4}	3.53×10^{-5}	1.0×10^{-6}
Fluid Ounce	29.4	1	.065	.030	7.81×10^{-3}	1.04×10^{-3}	2.96×10^{-5}
Pound of Water	454	15.4	1	.454	.12	.016	4.54×10^{-4}
Liter	1000	33.8	2.2	1	.264	.035	.001
US Gallon	3785	128	8.34	3.785	1	.134	3.78×10^{-3}
Cubic Foot	28320	958	62.4	28.3	7.48	1	.028
Cubic Meter	1.0×10^6	3.38×10^4	2202	1000	264	35.3	1

LIQUID PRESSURE EQUIVALENTS

	Lb/In ² (psi)	Ft Water	Kg/Cm ²	Atmosphere	Bar	Inch Mercury	kPa
Lb/In ² (psi)	1	2.31	.070	.068	.069	2.04	6.895
Ft Water	.433	1	.030	.029	.030	.882	2.99
Kg/Cm ²	14.2	32.8	1	.968	.981	29.0	98
Atmosphere	14.7	33.9	1.03	1	1.01	29.9	101
Bar	14.5	33.5	1.02	.987	1	29.5	100
Inch Mercury	.491	1.13	.035	.033	.034	1	3.4
kPa (kilopascal)	.145	.335	.01	.009	.01	.296	1

LINEAR UNIT EQUIVALENTS

	Micron	Mil	Millimeter	Centimeter	Inch	Foot	Meter
Micron	1	.039	.001	1.0×10^{-4}	3.94×10^{-5}	–	–
Mil	25.4	1	2.54×10^{-2}	2.54×10^{-3}	.001	8.33×10^{-5}	–
Millimeter	1000	39.4	1	.10	.0394	3.28×10^{-3}	.001
Centimeter	10000	394	10	1	.394	.033	.01
Inch	2.54×10^4	1000	25.4	2.54	1	.083	.0254
Foot	3.05×10^5	1.2×10^4	305	30.5	12	1	.305
Meter	1.0×10^6	3.94×10^4	1000	100	39.4	3.28	1

MISCELLANEOUS EQUIVALENTS AND FORMULAS


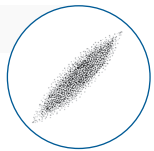
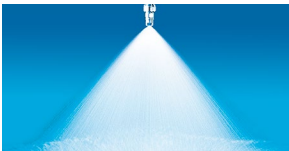
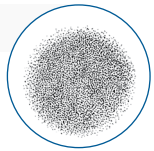

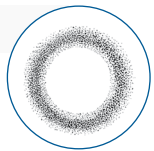

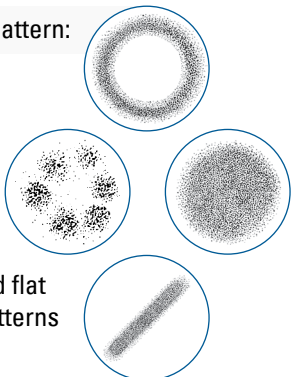
Unit	Equivalent	Unit	Equivalent
Ounce	28.35 Gr.	Acre	43,560 ft ²
Pound	.4536 Kg.	Fahrenheit (°F)	= 9/5 (°C) + 32
Horse-Power	.746 Kw.	Celsius (°C)	= 5/9 (°F – 32)
British Thermal Unit	.2520 Kg. Cal.	Circumference of a Circle	= 3.1416 x D
Square Inch	6.452 cm ²	Area of a Circle	= .7854 x D ²
Square Foot	.09290 m ²	Volume of a Sphere	= .5236 x D ³
Acre	.4047 Hectare	Area of a Sphere	= 3.1416 x D ²

DIMENSIONS

The catalog tabulations show orifice dimensions as “Nom.” (nominal). Specific dimensions are available on request.

BASIC NOZZLE CHARACTERISTICS

Spray nozzles are precision components designed to yield very specific performance under specific conditions. To help you determine the best nozzle type for your application, the following reference chart summarizes the performance that each nozzle type is designed to deliver.

	<p>FLAT SPRAY (TAPERED)</p>	<p>Spray pattern:</p>	
<p>General Spray Characteristics A tapered-edge flat spray pattern nozzle is usually installed on a header to provide uniform coverage over the entire swath as a result of overlapping distributions.</p>	<p>Comments Designed to be used on a spray manifold or header for uniform, overall coverage across the impact area.</p>	<p>Spray angles: 15° to 110°</p>	
	<p>FULL CONE</p>	<p>Spray pattern:</p>	
<p>General Spray Characteristics Provides relatively coarse drops in a full cone pattern with minimal flow obstruction.</p>	<p>Comments Provides full spray pattern coverage with medium-to-large flow rates. Some vaneless models and oval spray models are also available.</p>	<p>Spray angles: 15° to 125°</p>	
	<p>ATOMIZING (HYDRAULIC, FINE MIST)</p>	<p>Spray pattern:</p>	
<p>General Spray Characteristics A hydraulic, finely atomized, low-capacity spray in a hollow cone pattern.</p>	<p>Comments Used to produce finely atomized sprays when compressed air is not desirable.</p>	<p>Spray angles: 35° to 165°</p>	
	<p>AIR ATOMIZING AND AIR ASSISTED</p>	<p>Spray pattern:</p>	
<p>General Spray Characteristics Atomization produced by a combination of air and liquid pressures. Air assisted nozzles feature internal impingement atomization to assist fine drop formation.</p>	<p>Comments The most widely used nozzle group for producing finely atomized sprays in a wide range of capacities.</p>	<p>Cone and flat spray patterns</p>	

SPRAY DROP SIZE (ATOMIZATION)

Accurate drop size information is an important factor in the overall effectiveness of spray nozzle operation. Drop size refers to the size of the individual spray drops that comprise a nozzle’s spray pattern. Each spray provides a range of drop sizes; this range is referred to as drop

size distribution. Drop size distribution is dependent on the spray pattern type and varies significantly from one type to another. The smallest drop sizes are achieved by air atomizing nozzles while the largest drops are produced by full cone hydraulic spray nozzles.



Liquid properties, nozzle capacity, spraying pressure and spray angle also affect drop size. Lower spraying pressures provide larger drop sizes. Conversely, higher spraying pressures yield smaller drop sizes. Within each

type of spray pattern, the smallest capacities produce the smallest spray drops, and the largest capacities produce the largest spray drops.

DROP SIZE (BY SPRAY PATTERN TYPE AT VARIOUS PRESSURES AND CAPACITIES)

Spray Pattern Type	10 psi (0.7 bar)			40 psi (2.8 bar)			100 psi (7 bar)		
	Capacity gpm	Capacity l/min	VMD microns	Capacity gpm	Capacity l/min	VMD microns	Capacity gpm	Capacity l/min	VMD microns
Air Atomizing	.005	.02	20	.008	.03	15	12	45	400
	.02	.08	100	8	30	200			
Fine Spray	.22	.83	375	.03	.1	110	.05	.2	110
				.43	1.6	330	.69	2.6	290
Hollow Cone	.05	.19	360	.10	.38	300	.16	.61	200
	12	45	3400	24	91	1900	38	144	1260
Flat Fan	.05	.19	260	.10	.38	220	.16	.61	190
	5	18.9	4300	10	38	2500	15.8	60	1400
Full Cone	.10	.38	1140	.19	.72	850	.30	1.1	500
	12	45	4300	23	87	2800	35	132	1720

Based on a sampling of nozzles selected to show the wide range of possible drop sizes available.

One of the most common drop size distribution functions used in the industry is the **ASTM® Standard E799-03** analysis:

$$d_{pq}^{(p-q)} = \left[\frac{S N_i d_i^p}{S N_i d_i^q} \right]$$

The ASTM Standard E799-03 is best suited for use with analyzers that are classified as single particle counters such as the PMS-OAP and PDPA. This standard is used to classify the drop counts/diameters and also to calculate the distribution and the characteristic or mean diameters.

DROP SIZE TERMINOLOGY

Terminology is often the major source of discrepancy and confusion in understanding drop size. The mean and characteristic diameters are the diameters extracted from the drop size distribution (see Figure 1). To compare the drop size from one nozzle to another, the same diameters have to be used as the source of comparison.

For example, one cannot compare the $D_{v0.5}$ from one nozzle to the D_{32} from another nozzle. The following lists the most popular mean and characteristic diameters, definitions and most appropriate use. Drop size terminology can be found in ASTM® Standard E1620-97.

$D_{v0.5}$: Volume Median Diameter (also known as VMD or MVD). A means of expressing drop size in terms of the volume of liquid sprayed. The VMD is a value where 50% of the total volume (or mass) of liquid sprayed is made up of drops with diameters larger than the median value and 50% smaller than the median value. This is best used for comparing the average drop size from various analyzers.

D_{32} : Sauter Mean Diameter (also known as SMD) is a means of expressing the fineness of a spray in terms of the surface area produced by the spray. SMD is the diameter of a drop having the same volume to surface area ratio as the total volume of all the drops to the total surface area of all the drops. This diameter is best suited to calculate the efficiency and mass transfer rates in chemical reactions.

$D_{v0.1}$: A value where 10% of the total volume (or mass) of liquid sprayed is made up of drops with diameters smaller or equal to this value. This diameter is best suited to evaluate drift potential of individual drops.

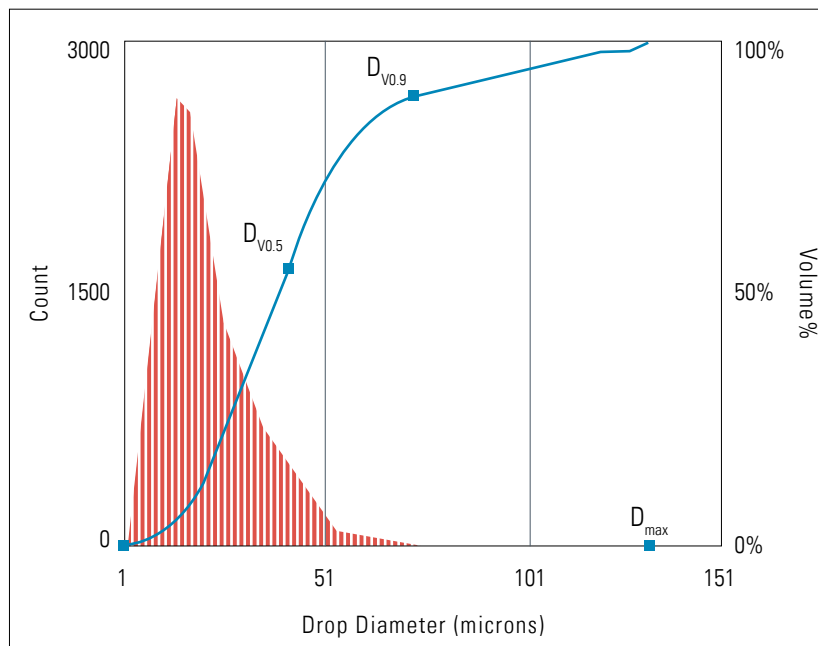
$D_{v0.9}$: A value where 90% of the total volume (or mass) of liquid sprayed is made up of drops with diameters smaller or equal to this value. This measurement is best suited when complete evaporation of the spray is required.

$D_{No.5}$: Number Mean Diameter (also known as NMD) is a means of expressing drop size in terms of the number of drops in the spray. This means that 50% of the drops by count or number are smaller than the median diameter and 50% of the drops are larger than the median diameter.

Drop Size Distribution: The size distribution of drops present in a spray sample. This distribution is typically expressed by the size vs. the cumulative volume present.

Relative Span Factor (RSF): A dimensionless parameter indicative of the uniformity of the drop size distribution. RSF is defined as:

$$\frac{D_{v0.9} - D_{v0.1}}{D_{v0.5}}$$



Typical Drop Size Distribution

CAPACITY

Nozzle capacity varies with spraying pressure. In general, the relationship between flow rate and pressure is as follows:

$$\frac{Q_1}{Q_2} = \frac{(P_1)^n}{(P_2)^n}$$

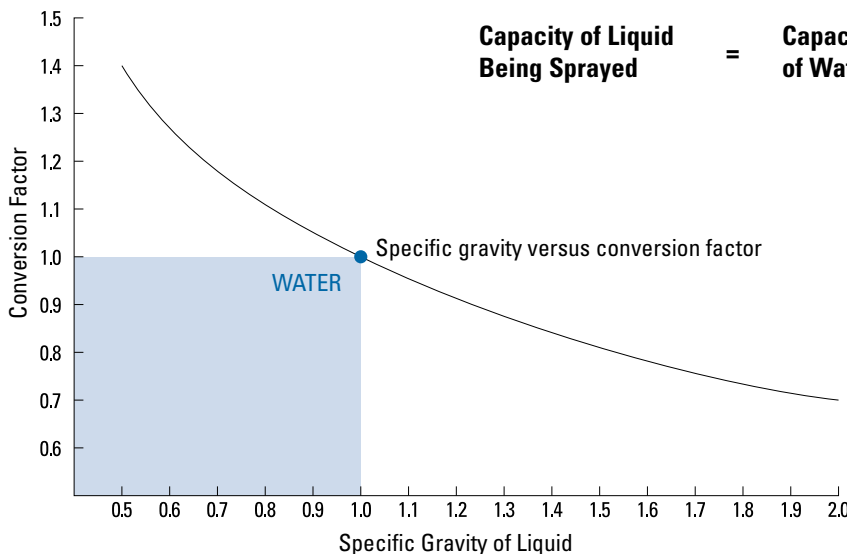
- Q:** Flow rate (in gpm or l/min)
- P:** Liquid pressure (in psi or bar)
- n:** Exponent applying to the specific nozzle type

Since the specific gravity of a liquid affects its flow rate, tabulated catalog capacities must be multiplied by the conversion factor that applies to the specific gravity of the liquid being sprayed as explained in the Specific Gravity section below.

Nozzle Type	Exponent "n"
Hollow Cone Nozzles (All) Full Cone Nozzles (Vaneless) Full Cone Nozzles (15° and 30° Series) Flat Spray Nozzles (All) Solid Stream Nozzles (All) Spiral Nozzles (All)	.50
Full Cone Nozzles (Standard) Full Cone Nozzles (Square Spray) Full Cone Nozzles (Oval Spray) Full Cone Nozzles (Large Capacity)	.46

SPECIFIC GRAVITY

Specific gravity is the ratio of the mass of a given volume of liquid to the mass of the same volume of water. In spraying, the main effect of the specific gravity of a liquid (other than water) is on the capacity of the spray nozzle. Since the values in this catalog are based on spraying water, a conversion factor or formula can be applied to determine the nozzle capacity when using a liquid other than water.

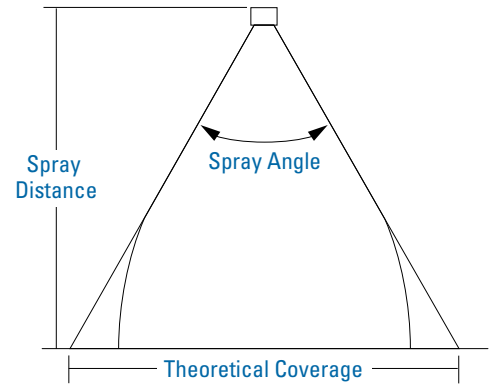


$$\text{Capacity of Liquid Being Sprayed} = \text{Capacity of Water} \times \frac{1}{\sqrt{\text{Specific Gravity}}}$$

KEY: Conversion factor multiplied by the capacity of the nozzle when spraying water gives the capacity of the nozzle when spraying a liquid with a specific gravity corresponding to the conversion factor. This conversion factor accounts only for the effect of specific gravity on capacity and does not account for other factors affecting capacity.

SPRAY ANGLE AND COVERAGE

Tabulated spray angles indicate approximate spray coverages based on spray of or distribution of water. In actual spraying, the effective spray angle varies with spray distance. Liquids more viscous than water form relatively smaller spray angles (or even a solid stream), depending upon viscosity, nozzle capacity and spraying pressure. Liquids with surface tensions lower than water will produce relatively wider spray angles than those listed for water. This table lists the theoretical coverage of spray patterns as calculated from the included spray angle of the spray and the distance from the nozzle orifice. Values are based on the assumption that the spray angle remains the same throughout the entire spray distance. In actual practice, the tabulated spray angle does not hold for long spray distances. If the spray coverage requirement is critical, request data sheets for specific spray coverage data.



THEORETICAL SPRAY COVERAGE (AT VARIOUS DISTANCES FROM NOZZLE ORIFICE)

Spray Angle	2 in.	5 cm	4 in.	10 cm	6 in.	15 cm	8 in.	20 cm	10 in.	25 cm	12 in.	30 cm	15 in.	40 cm	18 in.	50 cm	24 in.	60 cm	30 in.	70 cm	36 in.	80 cm	48 in.	100 cm
5°	0.2	0.4	0.4	0.9	.5	1.3	.7	1.8	.9	2.2	1.1	2.6	1.3	3.5	1.6	4.4	2.1	5.2	2.6	6.1	3.1	7.0	4.2	8.7
10°	0.4	0.9	0.7	1.8	1.1	2.6	1.4	3.5	1.8	4.4	2.1	5.3	2.6	7.0	3.1	8.8	4.2	10.5	5.2	12.3	6.3	14.0	8.4	17.5
15°	0.5	1.3	1.1	2.6	1.6	4.0	2.1	5.3	2.6	6.6	3.2	7.9	3.9	10.5	4.7	13.2	6.3	15.8	7.9	18.4	9.5	21.1	12.6	26.3
20°	0.7	1.8	1.4	3.5	2.1	5.3	2.8	7.1	3.5	8.8	4.2	10.6	5.3	14.1	6.4	17.6	8.5	21.2	10.6	24.7	12.7	28.2	16.9	35.3
25°	0.9	2.2	1.8	4.4	2.7	6.7	3.5	8.9	4.4	11.1	5.3	13.3	6.6	17.7	8.0	22.2	10.6	26.6	13.3	31.0	15.9	35.5	21.2	44.3
30°	1.1	2.7	2.1	5.4	3.2	8.0	4.3	10.7	5.4	13.4	6.4	16.1	8.1	21.4	9.7	26.8	12.8	32.2	16.1	37.5	19.3	42.9	25.7	53.6
35°	1.3	3.2	2.5	6.3	3.8	9.5	5.0	12.6	6.3	15.8	7.6	18.9	9.5	25.2	11.3	31.5	15.5	37.8	18.9	44.1	22.7	50.5	30.3	63.1
40°	1.5	3.6	2.9	7.3	4.4	10.9	5.8	14.6	7.3	18.2	8.7	21.8	10.9	29.1	13.1	36.4	17.5	43.7	21.8	51.0	26.2	58.2	34.9	72.8
45°	1.7	4.1	3.3	8.3	5.0	12.4	6.6	16.6	8.3	20.7	9.9	24.9	12.4	33.1	14.9	41.4	19.9	49.7	24.8	58.0	29.8	66.3	39.7	82.8
50°	1.9	4.7	3.7	9.3	5.6	14.0	7.5	18.7	9.3	23.3	11.2	28.0	14.0	37.3	16.8	46.6	22.4	56.0	28.0	65.3	33.6	74.6	44.8	93.3
55°	2.1	5.2	4.2	10.4	6.3	15.6	8.3	20.8	10.3	26.0	12.5	31.2	15.6	41.7	18.7	52.1	25.0	62.5	31.2	72.9	37.5	83.3	50.0	104
60°	2.3	5.8	4.6	11.6	6.9	17.3	9.2	23.1	11.5	28.9	13.8	34.6	17.3	46.2	20.6	57.7	27.7	69.3	34.6	80.8	41.6	92.4	55.4	115
65°	2.5	6.4	5.1	12.7	7.6	19.1	10.2	25.5	12.7	31.9	15.3	38.2	19.2	51.0	22.9	63.7	30.5	76.5	38.2	89.2	45.8	102	61.2	127
70°	2.8	7.0	5.6	14.0	8.4	21.0	11.2	28.0	14.0	35.0	16.8	42.0	21.0	56.0	25.2	70.0	33.6	84.0	42.0	98.0	50.4	112	67.2	140
75°	3.1	7.7	6.1	15.4	9.2	23.0	12.3	30.7	15.3	38.4	18.4	46.0	23.0	61.4	27.6	76.7	36.8	92.1	46.0	107	55.2	123	73.6	153
80°	3.4	8.4	6.7	16.8	10.1	25.2	13.4	33.6	16.8	42.0	20.2	50.4	25.2	67.1	30.3	83.9	40.3	101	50.4	118	60.4	134	80.6	168
85°	3.7	9.2	7.3	18.3	11.0	27.5	14.7	36.7	18.3	45.8	22.0	55.0	27.5	73.3	33.0	91.6	44.0	110	55.0	128	66.0	147	88.0	183
90°	4.0	10.0	8.0	20.0	12.0	30.0	16.0	40.0	20.0	50.0	24.0	60.0	30.0	80.0	36.0	100	48.0	120	60.0	140	72.0	160	96.0	200
95°	4.4	10.9	8.7	21.8	13.1	32.7	17.5	43.7	21.8	54.6	26.2	65.5	32.8	87.3	39.3	109	52.4	131	65.5	153	78.6	175	105	218
100°	4.8	11.9	9.5	23.8	14.3	35.8	19.1	47.7	23.8	59.6	28.6	71.5	35.8	95.3	43.0	119	57.2	143	71.6	167	85.9	191	114	238
110°	5.7	14.3	11.4	28.6	17.1	42.9	22.8	57.1	28.5	71.4	34.3	85.7	42.8	114	51.4	143	68.5	171	85.6	200	103	229	-	286
120°	6.9	17.3	13.9	34.6	20.8	52.0	27.7	69.3	34.6	86.6	41.6	104	52.0	139	62.4	173	83.2	208	104	243	-	-	-	-
130°	8.6	21.5	17.2	42.9	25.7	64.3	34.3	85.8	42.9	107	51.5	129	64.4	172	77.3	215	103	257	-	-	-	-	-	-
140°	10.9	27.5	21.9	55.0	32.9	82.4	43.8	110	54.8	137	65.7	165	82.2	220	98.6	275	-	-	-	-	-	-	-	-
150°	14.9	37.3	29.8	74.6	44.7	112	59.6	149	74.5	187	89.5	224	112	299	-	-	-	-	-	-	-	-	-	-
160°	22.7	56.7	45.4	113	68.0	170	90.6	227	113	284	-	-	-	-	-	-	-	-	-	-	-	-	-	-
170°	45.8	114	91.6	229	-	-	-	-	-	-	-	-	-	-	-	-	-	-	-	-	-	-	-	-

Note: The data in this table applies to hydraulic sprays only. Coverage data for pneumatic/air atomizing sprays will vary.

IMPACT

Impact, or the impingement of a spray onto the target surface, can be expressed in several different ways. The most useful impact value with regard to spray nozzle performance is the impact per square inch (cm). Basically, this value depends on the spray pattern distribution and spray angle.

Then, from the chart below, obtain the impact per square inch (cm) as a percent of the theoretical total impact and multiply by the theoretical total. The result is the unit impact in lbs.-f/sq. inch (kg/cm²) at 12" (30 cm) distance from the nozzle.

The highest unit impact in lbs.-f/sq. inch (kg/cm²) is provided by solid stream nozzles and can be closely approximated by the formula: 1.9 x [spraying pressure, psi (bar)]. As with all spray patterns, the unit impact decreases as the distance from the nozzle increases, thereby increasing the impact area size.

OPERATING PRESSURE

The values given in the tabulation sections of this catalog indicate the most commonly used pressure ranges for the associated spray nozzle or accessory. Some spray nozzles and accessories can perform below or above the pressures shown, while others can be modified at our factory or redesigned to accommodate the requirements of specific new applications.

Contact your local Spraying Systems Co. sales engineer if your application requires pressure ranges beyond those stated in this catalog.

To obtain the impact per square inch (cm) [pounds (kg)-force per square inch (cm)] of a given nozzle, first determine the theoretical total impact using the following formula:

$$I = K \times Q \times P \sqrt{T}$$

I: Total theoretical spray impact

K: Constant

Q: Flow Rate

P: Liquid Pressure

	pounds	kilograms
I		
K	.0526	.024
Q	gpm	l/min
P	psi	kg/cm ²

UNIT IMPACT* PER INCH² / CM²

Spray Pattern	Spray Angle	Percent of Theoretical
Flat Fan	15°	30%
	25°	18%
	35°	13%
	40°	12%
	50°	10%
	65°	7.0%
	80°	5.0%
Full Cone	15°	11%
	30°	2.5%
	50°	1.0%
	65°	0.4%
	80°	0.2%
	100°	0.1%

*At 12" (30 cm) distance from the nozzle.

ESTIMATING PRESSURE DROPS THROUGH FLUIDLINE ACCESSORIES

The rated capacities listed in this catalog for valves, strainers and fittings typically correspond to pressure drops of approximately 5% of their maximum operating pressure. Use the following formula to estimate the pressure drop of other flow rates.

$$\frac{Q_1}{Q_2} = \frac{(P_1)^5}{(P_2)^5}$$

Q: Flow rate (in gpm or l/min)
P: Liquid pressure (in psi or bar)

For pressure drop information on a specific product, contact your local sales engineer for data sheets listing pressure drops at various flow rates.

Example:

$$\frac{3 \text{ gpm}}{5 \text{ gpm}} = \frac{(P_1)^5}{(25 \text{ psi})^5} \quad P_1 = 9 \text{ psi}$$

$$\frac{11 \text{ l/min}}{19 \text{ l/min}} = \frac{(P_1)^5}{(1.8 \text{ bar})^5} \quad P_1 = 0.6 \text{ bar}$$

Accessory rated capacity	5 gpm (19 l/min)
Maximum recommended operating pressure	500 psi (35 bar)
Estimated pressure drop at 5 gpm (19 l/min) = 5% x 500 psi (35 bar)	= 25 psi (1.8 bar)

APPROXIMATE FRICTION LOSS IN PIPE SETTINGS

Pipe Size Std. Wt. (in.) (in.)	Actual Inside Dia. in. (mm)	Gate Valve FULL OPEN ft. (m)	Globe Valve FULL OPEN ft. (m)	45° Elbow ft. (m)	Run of Std. Tee ft. (m)	Std. Elbow or Run of Tee Reduced 1/2 ft. (m)	Std. Tee Through Side Outlet ft. (m)
1/8	.269 (6.8)	.15 (.05)	8.0 (2.4)	.35 (.11)	.40 (.12)	.75 (.23)	1.4 (.43)
1/4	.364 (9.2)	.20 (.06)	11.0 (3.4)	.50 (.15)	.65 (.20)	1.1 (.34)	2.2 (.67)
1/2	.622 (15.8)	.35 (.11)	18.6 (5.7)	.78 (.24)	1.1 (.34)	1.7 (.52)	3.3 (1.0)
3/4	.824 (21)	.44 (.13)	23.1 (7.0)	.97 (.30)	1.4 (.43)	2.1 (.64)	4.2 (1.3)
1	1.049 (27)	.56 (.17)	29.4 (9.0)	1.2 (.37)	1.8 (.55)	2.6 (.79)	5.3 (1.6)
1-1/4	1.380 (35)	.74 (.23)	38.6 (11.8)	1.6 (.49)	2.3 (.70)	3.5 (1.1)	7.0 (2.1)
1-1/2	1.610 (41)	.86 (.26)	45.2 (13.8)	1.9 (.58)	2.7 (.82)	4.1 (1.2)	8.1 (2.5)
2	2.067 (53)	1.1 (.34)	58 (17.7)	2.4 (.73)	3.5 (1.1)	5.2 (1.6)	10.4 (3.2)
2-1/2	2.469 (63)	1.3 (.40)	69 (21)	2.9 (.88)	4.2 (1.3)	6.2 (1.9)	12.4 (3.8)
3	3.068 (78)	1.6 (.49)	86 (26)	3.6 (1.1)	5.2 (1.6)	7.7 (2.3)	15.5 (4.7)
4	4.026 (102)	2.1 (.64)	113 (34)	4.7 (1.4)	6.8 (2.1)	10.2 (3.1)	20.3 (6.2)
5	5.047 (128)	2.7 (.82)	142 (43)	5.9 (1.8)	8.5 (2.6)	12.7 (3.9)	25.4 (7.7)

AIR FLOW (SCFM AND NL / MIN) THROUGH SCHEDULE 40 STEEL PIPE

Applied Pressure psig	Nominal Standard Pipe Size (scfm)											Applied Pressure bar	Nominal Standard Pipe Size (NL/min)										
	1/8"	1/4"	3/8"	1/2"	3/4"	1"	1-1/4"	1-1/2"	2"	2-1/2"	3"		1/8"	1/4"	3/8"	1/2"	3/4"	1"	1-1/4"	1-1/2"	2"	2-1/2"	3"
5	.5	1.2	2.7	4.9	6.6	13.0	27	40	80	135	240	0.3	14.2	34.0	76.5	139	187	370	765	1130	2265	3820	6796
10	.8	1.7	3.9	7.7	11.0	21	44	64	125	200	370	0.7	22.7	48.1	110	218	310	595	1245	1810	3540	5665	10480
20	1.3	3.0	6.6	13.0	18.5	35	75	110	215	350	600	1.4	36.8	85.0	187	370	525	990	2125	3115	6090	9910	16990
40	2.5	5.5	12.0	23	34	62	135	200	385	640	1100	2.8	70.8	155	340	650	960	1755	3820	5665	10900	18120	31150
60	3.5	8.0	18.0	34	50	93	195	290	560	900	1600	4.1	99.1	227	510	965	1415	2630	5520	8210	15860	25485	45305
80	4.7	10.5	23	44	65	120	255	380	720	1200	2100	5.5	133	297	650	1245	1840	3400	7220	10760	20390	33980	59465
100	5.8	13.0	29	54	80	150	315	470	900	1450	2600	6.9	164	370	820	1530	2265	4250	8920	13310	25485	41060	73625

FLOW OF WATER THROUGH SCHEDULE 40 STEEL PIPE

Flow gpm (l/min)	Pressure Drop in psi (bar) for Various Pipe Diameters*															
	0.125"	0.25"	0.375"	0.5"	0.75"	1.0"	1.25"	1.5"	2.0"	2.5"	3.0"	3.5"	4.0"	5.0"	6.0"	8.0"
0.3 (1.0)	.42 (.07)															
0.4 (1.5)	.70 (.16)	.16 (.04)														
0.5 (2.0)	1.1 (.26)	.24 (.06)														
0.6 (2.5)	1.5 (.40)	.33 (.08)														
0.8 (3.0)	2.5 (.56)	.54 (.12)	.13 (.03)													
1.0 (4.0)	3.7 (.96)	.83 (.21)	.19 (.05)	.06 (.02)												
1.5 (6.0)	8.0 (2.0)	1.8 (.45)	.40 (.10)	.12 (.03)												
2.0 (8.0)	13.4 (3.5)	3.0 (.74)	.66 (.17)	.21 (.05)	.05 (.01)											
2.5 (10)		4.5 (1.2)	1.0 (.25)	.32 (.08)	.08 (.02)											
3.0 (12)		6.4 (1.7)	1.4 (.35)	.43 (.11)	.11 (.03)											
4.0 (15)		11.1 (2.6)	2.4 (.54)	.74 (.17)	.18 (.04)	.06 (.01)										
5.0 (20)			3.7 (.92)	1.1 (.28)	.28 (.07)	.08 (.02)										
6.0 (25)			5.2 (1.2)	1.6 (.45)	.38 (.11)	.12 (.03)										
8.0 (30)			9.1 (2.1)	2.8 (.62)	.66 (.15)	.20 (.04)	.05 (.01)									
10 (40)				4.2 (1.1)	1.0 (.25)	.30 (.08)	.08 (.02)									
15 (60)					2.2 (.54)	.64 (.16)	.16 (.04)	.08 (.02)								
20 (80)					3.8 (9.3)	1.1 (.28)	.28 (.07)	.13 (.03)	.04 (.009)							
25 (100)						1.7 (.43)	.42 (.12)	.19 (.05)	.06 (.01)							
30 (115)						2.4 (.58)	.59 (.14)	.27 (.06)	.08 (.015)							
35 (130)						3.2 (.72)	.79 (.18)	.36 (.08)	.11 (.02)	.04 (.01)						
40 (150)							1.0 (.23)	.47 (.10)	.14 (.03)	.06 (.012)						
45 (170)							1.3 (.29)	.59 (.13)	.17 (.04)	.07 (.016)						
50 (190)							1.6 (.36)	.72 (.16)	.20 (.05)	.08 (.02)						
60 (230)							2.2 (.50)	1.0 (.23)	.29 (.07)	.12 (.03)	.04 (.009)					
70 (260)								1.4 (.32)	.38 (.09)	.16 (.04)	.05 (.01)					
80 (300)								1.8 (.38)	.50 (.11)	.20 (.04)	.07 (.02)					
90 (340)								2.2 (.50)	.62 (.14)	.25 (.06)	.09 (.02)	0.4 (.009)				
100 (380)								2.7 (.61)	.76 (.18)	.31 (.07)	.11 (.03)	0.5 (.01)				
125 (470)									1.2 (.28)	.47 (.11)	.16 (.04)	0.6 (.02)	.04 (.009)			
150 (570)									1.7 (.39)	.67 (.15)	.22 (.05)	0.8 (.03)	.06 (.01)			
200 (750)									2.9 (.64)	1.2 (.26)	.39 (.09)	0.3 (.04)	.10 (.02)			
250 (950)											.59 (.14)	0.4 (.06)	.15 (.03)	.05 (.01)		
300 (1150)											.84 (.19)	0.5 (.09)	.21 (.05)	.07 (.02)		
400 (1500)												0.6 (.16)	.37 (.08)	.12 (.03)	.05 (.01)	
500 (1900)													.57 (.13)	.18 (.04)	.07 (.02)	
750 (2800)														.39 (.09)	.16 (.03)	.04 (.009)
1000 (3800)														.68 (.16)	.27 (.06)	.07 (.02)
2000 (7500)															1.0 (.23)	.26 (.06)

Recommended capacity range for each size is displayed in bold type.

*Psi values are based on a pipe length of 10 feet. Bar values are based on a pipe length of 10 meters.

OTHER SPRAY PERFORMANCE CONSIDERATIONS

VISCOSITY

Absolute (dynamic) viscosity is the property of a liquid which resists change in the shape or arrangement of its elements during flow. Liquid viscosity is a primary factor affecting spray pattern formation and, to a lesser degree, capacity. High viscosity liquids require a higher minimum pressure to begin formation of a spray pattern and provide narrower spray angles as compared to those of water. See the chart below for the general effects of viscosity other than water.

TEMPERATURE

The values given in this catalog are based on spraying water at 70°F (21°C). Although liquid temperature changes do not affect the spray performance of a nozzle, they often affect viscosity, surface tension and specific gravity which do influence spray nozzle performance. See the chart below for the effects of temperature changes on spray nozzle performance.

SURFACE TENSION

The surface of a liquid tends to assume the smallest possible size; acting, in this respect, like a membrane under tension. Any portion of the liquid surface exerts a tension upon adjacent portions or upon other objects with which it is in contact. This force is in the plane of the surface and its amount per unit of

length is surface tension. Its value for water is about 73 dynes per cm at 70°F (21°C). The main effects of surface tension are on minimum operating pressure, spray angle and drop size.

SUMMARY OF SPRAY PERFORMANCE CONSIDERATIONS

This chart summarizes the various factors that affect a spray nozzle’s performance. However, because there are so many different types and sizes of spray nozzles, the effects may vary for your specific application. In some applications, there are interrelated factors which may counteract certain effects.

For instance, in the case of a hollow cone spray nozzle, increasing the temperature of the liquid decreases the specific gravity, thereby producing a greater flow rate while at the same time decreasing the viscosity which reduces the flow.

Nozzle Characteristics	Increase in Operating Pressure	Increase in Specific Gravity	Increase in Viscosity	Increase in Fluid Temperature	Increase in Surface Tension
Pattern Quality	Improves	Negligible	Deteriorates	Improves	Negligible
Drop Size	Decreases	Negligible	Increases	Decreases	Increases
Spray Angle	Increases then decreases	Negligible	Decreases	Increases	Decreases
Capacity	Increases	Decreases	Full cone – increases Flat – decreases	Depends on fluid sprayed and nozzle used	No effect
Impact	Increases	Negligible	Decreases	Increases	Negligible
Velocity	Increases	Decreases	Decreases	Increases	Negligible
Wear	Increases	Negligible	Decreases	Depends on fluid sprayed and nozzle used	No effect

COMMON CAUSES OF SPRAY NOZZLE PROBLEMS

Many spray nozzle problems cannot be easily detected with a visual inspection. You should check the performance of your nozzles for damage during every preventive maintenance shutdown. What to look for depends on your application – sometimes it’s wear

from a high-pressure process or caking from spraying a viscous liquid. Nozzle performance can be compromised or rendered totally ineffective by eroded, damaged or obstructed nozzle orifices.

EROSION / WEAR

Gradual removal of the nozzle material causes the nozzle orifice and internal flow passages to enlarge and/or become distorted. As a result, flow is usually increased, pressure may be decreased, pattern becomes irregular and the spray drops become larger.



HIGH TEMPERATURE

Certain liquids must be sprayed at elevated temperatures or in high temperature environments. The nozzle may soften and break down unless special high temperature resistant materials are used.



CORROSION

Nozzle material may break down due to the chemical action of the sprayed material or environment. The effect is similar to that caused by erosion and wear, with possible additional damage to the outside surfaces of the nozzle. In particular, the performance of air atomizing nozzles is highly sensitive to corrosion. Even small amounts of corrosion will negatively impact drop size and uniformity.



CLOGGING

Unwanted solid particles can block the inside of the orifice, restricting the flow and disturbing the uniformity of the spray pattern.



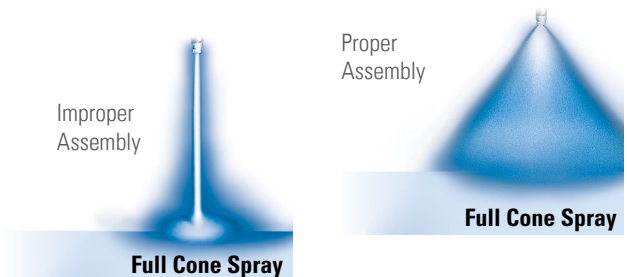
BEARDING / CAKING

Build-up of material on the inside or outer edges of the orifice can occur and is caused by liquid evaporation. A layer of dried solids remains and obstructs the orifice or internal flow passages. Bearding, the build-up of materials near the orifice of the nozzle, is also detrimental to nozzle performance and can have serious consequences in some nozzle types such as air atomizing.



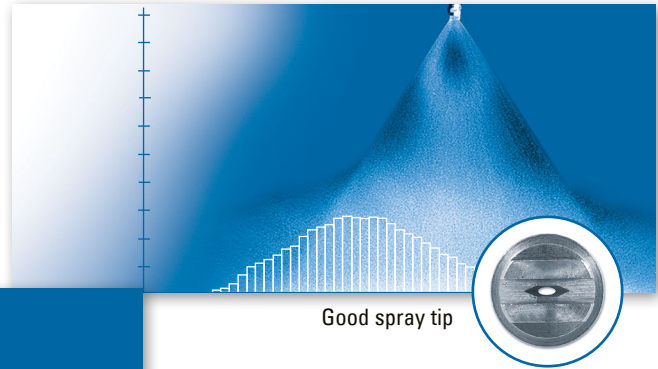
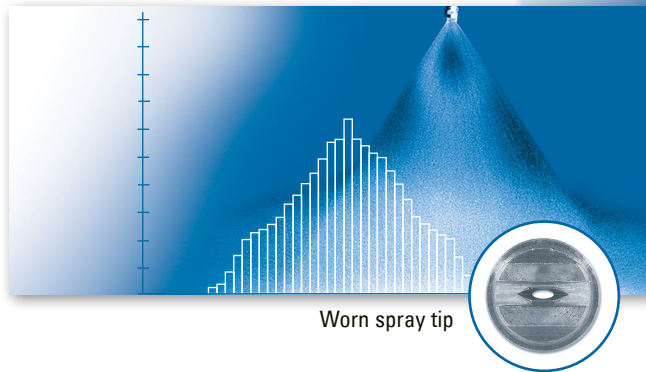
IMPROPER ASSEMBLY

Some nozzles require careful re-assembly after cleaning so that internal components, such as gaskets, O-rings and internal vanes, are properly aligned. Improper positioning may result in leakage and inefficient spray performance. Over-tightening of nozzle caps onto bodies can cause thread stripping.



PREVENTING AND SOLVING SPRAY NOZZLE PROBLEMS

Some spray nozzle problems require special testing to detect. Consistent evaluation of the following factors will enable you to detect wear early and take appropriate action. Your own application will determine how often each factor should be checked. The proper frequency could range from the end of every shift to every few months. The checklist that follows should become the foundation of your maintenance program.



Visual inspection of nozzle tips and spray patterns show little evidence of wear. An analysis of spray collection data reveals a 30% increase in capacity from the worn tip.

✓ FLOW RATE

For centrifugal pumps:

Monitor flow meter readings to detect increases. Or, collect and measure the spray from the spray nozzle for a given period of time at a specific pressure. Compare these readings to the flow rates listed in the manufacturer's catalog or compare them to flow rate readings from new, unused spray nozzles.

For positive displacement pumps:

Monitor the liquid line pressure for decreases; the flow rate will remain constant.

✓ SPRAY PRESSURE
(IN SPRAY NOZZLE MANIFOLDS)

For centrifugal pumps:

Monitor for increases in liquid volume sprayed. The spraying pressure is likely to remain the same.

For positive displacement pumps:

Monitor pressure gauge for decreases in pressure and reduction in impact on sprayed surfaces. The liquid volume sprayed is likely to remain the same. Also, monitor for increases in pressure due to clogged spray nozzles.

✓ DROP SIZE

Drop size increases are difficult to detect. Examine application results for changes. An increase in flow rate or decrease in spraying pressure will affect drop size.

✓ SPRAY PATTERN

Visually inspect the spray pattern for changes. Check the spray angle with a protractor. Measure the width of the spray pattern on the sprayed surface. If the spray nozzle orifice is wearing gradually, you may not detect changes until there is a significant increase in flow rate.

✓ SPRAY NOZZLE ALIGNMENT

Check uniformity of spray coverage of flat spray nozzles on a manifold. Spray patterns should be parallel to each other. Spray tips should be rotated 5° to 10° from the manifold centerline.

✓ PRODUCT QUALITY / APPLICATION RESULTS

Check for uneven coating, cooling, cleaning or drying. Check for changes in temperature, dust content and humidity.

GENERAL SAFETY INSTRUCTIONS

Please read this important safety information before using any spray device, spray system or pressurized spray equipment.

WARNING

All safety related and operating instructions should be read before the nozzle is operated. Follow all operating instructions. Failure to do so could result in serious injury.

WARNING

It is important to recognize proper safety precautions when using a pressurized spray system. Fluids under pressure can penetrate skin and cause severe injury.

WARNING

When dealing with pressure applications, the system pressure should never exceed the lowest rated component. Always know your system and all component capabilities, maximum pressures, and flow rates.

WARNING

Before performing any maintenance, make sure all liquid supply lines to the machine are shut off and/or disconnected and any chemicals or fluids are drained.

WARNING

Spraying Systems Co. does not manufacture or supply any of the chemicals used with our nozzles and is not responsible for their effects. Because of the large number of chemicals that could be used (and their different chemical reactions), the buyer and user of this equipment should determine compatibility of the materials used and any of the potential hazards involved.

NOTE: Always remember to carefully read the chemical manufacturer's label and follow all directions.

WARNING

The use of any chemicals requires careful control of all worker hygiene.

WARNING

Spraying Systems Co. strongly recommends the use of appropriate safety equipment when working with potentially hazardous chemicals.

This equipment includes, but is not limited to:

- Protective headgear
- Safety glasses and/or face shields
- Chemical-resistant gloves and aprons
- Long sleeve shirts and long pants

WARNING

Before use, be sure appropriate connections are secure and made to withstand weight and reaction forces of the operating unit.

WARNING

It is important to operate equipment within the temperature range of all components. Always ensure that the appropriate time has elapsed or proper safety equipment is used when handling components after they've been exposed to high temperatures.

WARNING

Do not use any equipment or product outside of its intended use or purpose. Misuse can result in personal injury or product damage.



TABLET COATING

	PAGE
Application Overview	18
VMAU Spray Nozzles	21
JAU Spray Nozzles	25
Modular Air Atomizing Manifolds	29

PRECISE CONTROL ENSURES UNIFORM COATING

Tablet coating is a process that can be summarized as the application of an “edible paint” to the surface of a pharmaceutical dosage form. In the past, sugar coating was a common solution for coating tablets, but this process has many disadvantages. Modern tablet coatings are typically film coatings, flexible formulations that are applicable to a wide range of dosage forms (such as tablets, capsules, pellets, granules and drug crystals). The tablet coating process is complex, and involves parameters such as the spray pattern, drop size, and nozzle spacing (in addition to multiple other non-spray related parameters) which must all be precisely controlled in order to ensure uniform distribution of the coating material.

VMAU SPRAY SET-UPS

A spray set-up consists of a fluid tip and an air cap. Spray set-ups are interchangeable, but each set-up uses a different size needle. The VMAU can utilize a number of different spray set-ups depending on the desired performance. Reference the information below to determine the most appropriate spray set-up for your application.

ANTI-BEARDING SET-UPS

Frequent shutdowns to clean coating material from air atomizing spray gun components have a serious impact on productivity. Anti-bearding spray set-ups can help to improve process quality, volume, and profitability in these situations.

P-SERIES ANTI-BEARDING SET-UPS*

The patent-pending P-Series Anti-Bearding Spray Set-Ups are designed to virtually eliminate nozzle build-up while greatly reducing product waste and maintenance downtime.



Anti-Bearding Set-Ups



Data on Spray Set-Up(s)	Type of Data	Available Spraying Material(s) for Data Type
SUVM113AAB SUVM113AABP*	Coverage and Flow Rate	Water
	Drop Size Information	OPADRY®/ EUDRAGIT®
	Spray Velocity	OPADRY®/ EUDRAGIT®
SUVM113AB SUVM113ABP*	Coverage and Flow Rate	Water
	Drop Size Information	OPADRY®/ EUDRAGIT®
	Spray Velocity	OPADRY®/ EUDRAGIT®

*P-Series anti-bearding spray set-ups are designated with a 'P' suffix. For the purposes of spray coverage, flow rate, drop size, and spray velocity, performance is approximately equivalent to anti-bearding spray set-ups. For performance data on other available spray set-ups not listed in this catalog, contact your local sales representative.

SPRAY TIP: DRAMATICALLY REDUCE NOZZLE BUILD-UP

The patent-pending P-Series anti-bearding set-ups allow users to run their spray operations for up to two times as long as standard anti-bearding set-ups with minimal nozzle build-up, greatly reducing maintenance downtime due to cleaning or clogging.

Results after spraying OPADRY®. The P-Series cap is pictured after being sprayed for twice as long as the standard air cap.



Standard Air Cap

P-Series Air Cap

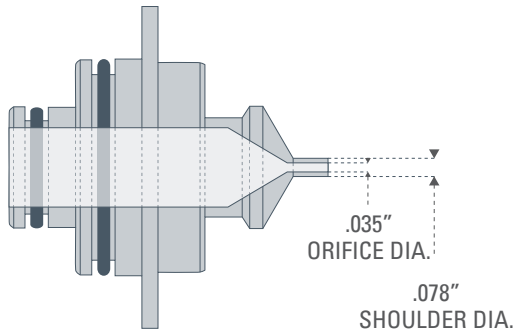
DETERMINING SPRAY NOZZLE SET-UPS

A VMAU spray set-up consists of a fluid tip and an air cap, each of which has its own part number consisting of several smaller numbers (as shown below) which correspond to basic characteristics, such as orifice size and diameter. Determining the correct size spray set-ups when placing an order is critical to ensure that you get exactly the performance you need from your spray nozzle. After viewing the example below, use the chart to choose the right spray set-up for your application.

VMAU Set-Up No.	Fluid Tip No.	Air Cap No.
SUVM113AAB	VMFAB3578	VMAAB113289-60
SUVM113AB	VMFAB4078	VMAAB113289-60

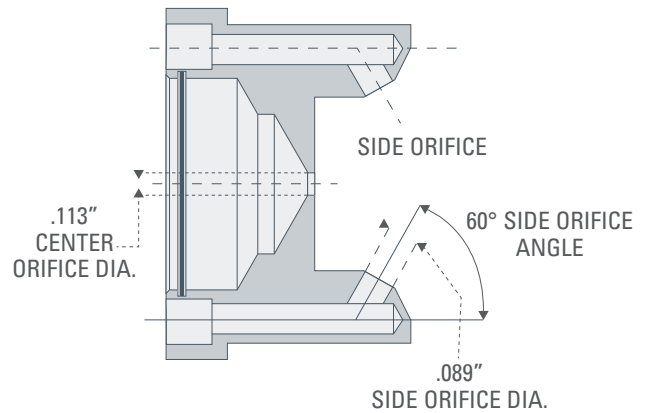
EXAMPLE: VMAU SET-UP NUMBER SUVM113AAB*

Fluid Tip No. VMFAB3578



+

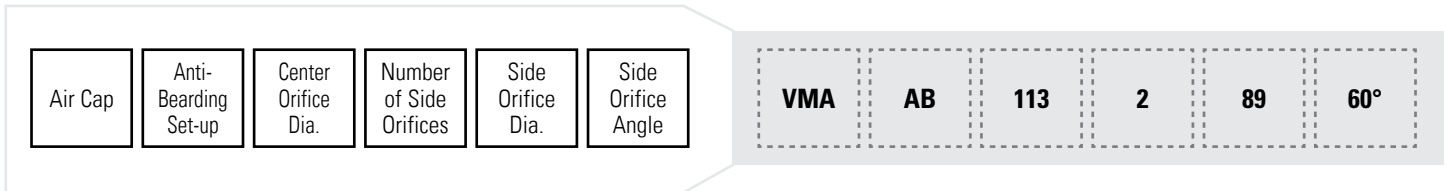
Air Cap No. VMAAB113289-60°



FLUID TIP PART NUMBER EXAMPLE



AIR CAP PART NUMBER EXAMPLE



*Note: VMAU fluid caps have a prefix of "VMF" while air caps have a prefix of "VMA." Anti-bearding set-ups bear the additional prefix "AB," so for the anti-bearding spray set-up SUVM113AAB, the air cap would have a combined prefix of "VMAAB."

ORDERING INFORMATION

VMAU spray set-ups can be used for the VMAU spray nozzle (see p. 10, the VMAU Lab Coater and the 54000 Modular Manifold).

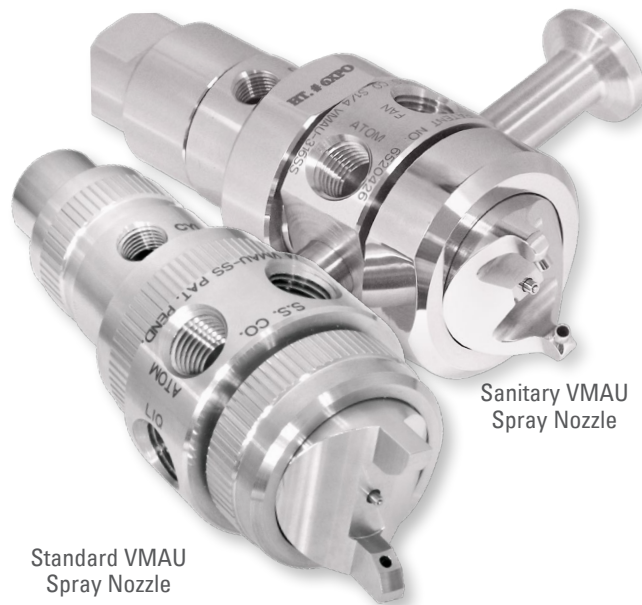
STANDARD AND SANITARY VMAU SPRAY NOZZLES

PRODUCT OVERVIEW

The VMAU variable automatic spray nozzle is designed with modular components to provide solutions to even the most demanding spray application challenges.

FEATURES AND BENEFITS

- Maximizes uniform spray distribution
- Modular design offers the flexibility to fit various unique spray applications
- Easy access dramatically cuts cleaning and maintenance downtime
- Threadless sanitary design with no internal threads in the liquid chamber
- Increases throughput with improved spray and product quality



SPRAY TIP: IMPROVE PERFORMANCE FOR AIR ATOMIZING SPRAY APPLICATIONS

In addition to tablet coating, VMAU nozzles are also suitable for use in a wide variety of other applications. With multiple body styles, actuator assemblies, and interchangeable spray set-ups available, VMAU spray nozzles are suited to virtually any air atomizing spray application.



ORDERING INFORMATION – STANDARD AND SANITARY VMAU SPRAY NOZZLES

To customize your VMAU nozzle, specify the following:

BODY STYLE

First, select either a standard or sanitary body with NPT or BSPT connections.

Standard Body	1/4VMAU-XX	1/4 NPT Connections
	B1/4VMAU-XX	1/4 BSPT Connections
Sanitary Body	S1/4VMAU-XX	Sanitary fluid connections and 1/4 NPT air connections
	SB1/4VMAU-XX	Sanitary fluid connections and 1/4 BSPT air connections

Example



SPRAY SET-UP

Next, choose from a wide range of spray set-ups to fit your application's needs.

Anti-Bearding Spray Set-Ups	P-Series Spray Set-Ups	Orifice Dia. in. (mm)
SUVM113AAB-XX	SUVM113AABP-XX	.035 (0.89)
SUVM113AB-XX	SUVM113ABP-XX	.040 (1.02)
SUVM128AB-XX	SUVM128ABP-XX	.060 (1.52)

Example

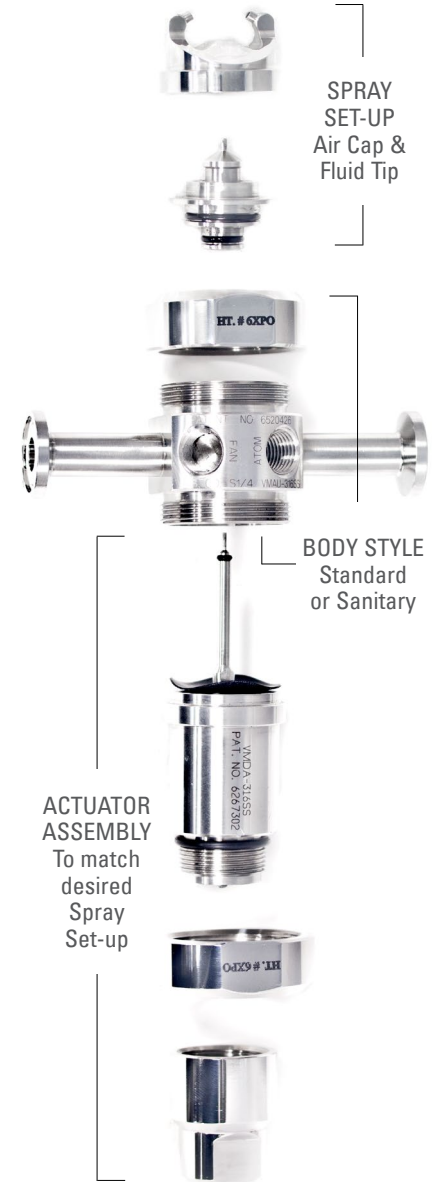


ACTUATOR ASSEMBLY

Last, choose an actuator assembly to match the desired spray set-up.

Single Action (52519)	NPT Style	BSPT Style	Corresponding Set-up
Standard Spray	004	104	SUVM 113A
	005	105	SUVM 113
	006	106	SUVM 128
Anti-Bearding Spray	404	504	SUVM 113A AB or ABP
	405	505	SUVM 113 AB or ABP
	406	506	SUVM 128 AB or ABP

Example



Material Code = XX
 SS = 303 stainless steel
 316SS = 316 stainless steel

VMAU LAB COATER SPRAY NOZZLE

PRODUCT OVERVIEW

The 54200 VMAU Lab Coater spray nozzle features a compact design and simple assembly ideal for your R&D/laboratory scale spray applications.

FEATURES AND BENEFITS

- Maximizes uniform spray distribution
- Threadless sanitary design with no internal threads in the liquid chamber
- Increases throughput with improved spray and product quality
- 316 stainless steel nozzle and fittings for corrosion resistance
- Disassembles quickly
- Uses the same set-ups as our VMAU nozzle



VMAU Lab Coater
Spray Nozzle

SPRAY TIP: SCALE UP YOUR R&D COATING APPLICATIONS WITH EASE

The spray set-up (fluid tip and air cap) on the 54200 VMAU Lab Coater is the same size as used for the 54000 Modular Air Atomizing Manifold, making it simple to scale up from smaller lab scale applications to full production.



DIMENSIONS AND WEIGHTS – VMAU LAB COATER SPRAY NOZZLE

	Nozzle Type	A in. (mm)	B in. (mm)	C in. (mm)	D in. (mm)	Net Weight lbs (oz.)
	54200	2.0 (50.8)	2.18 (55.5)	1.5 (38.1)	3.74 (95.1)	1.8 (0.82)

ORDERING INFORMATION – VMAU LAB COATER SPRAY NOZZLE

To order, specify body, spray set-up, needle assembly, and optional rod mount kit (28945-007-316SS).

OPTIONS

Spray Set-Ups	Orifice Dia. in. (mm)	Needle Assembly
SUVM113AABP-VIF	.035 (0.89)	54200-304-316VIF
SUVM113ABP-VIF	.040 (1.02)	54200-305-316VIF
SUVM128ABP-VIF	.060 (1.52)	54200-306-316VIF
SUVM113AABP-EPF	.035 (0.89)	54200-314-316EPF
SUVM113ABP-EPF	.040 (1.02)	54200-315-316EPF
SUVM128ABP-EPF	.060 (1.52)	54200-316-316EPF



BODY STYLE

Example

Model No.	–	Tube Size*	–	Material Code	54200	–	1/4	–	316L
-----------	---	------------	---	---------------	-------	---	-----	---	------

SPRAY SET-UP

Example

Model No.	–	Material Code	SUVM113AAB	–	316VIF
-----------	---	---------------	------------	---	--------

NEEDLE ASSEMBLY

Example

Model No.	–	Needle Assembly	–	Material Code	54200	–	304	–	316VIF
-----------	---	-----------------	---	---------------	-------	---	-----	---	--------

Material Code
SS= 303 stainless steel
316L= 316 stainless steel
316VIF = FDA Viton
316EPF = FDA EPDM

JAU AND J-TYPE SPRAY SET-UPS

Spray set-ups are interchangeable, but each set-up uses a different size needle. The JAU can utilize a number of different spray set-ups depending on the desired performance and nozzle configuration.

1/4J SET-UPS

The standard 1/4 JAU nozzle can utilize a number of different interchangeable spray set-ups available in standard and anti-bearding versions.

(Example: SUE15)

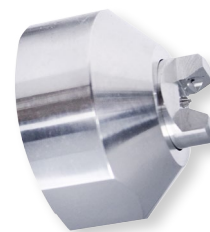


1/4J Set-Ups

JAUSF SET-UPS*

JAUSF set-ups are designed to fit the sanitary 54160-JAUSF spray nozzle and are available in anti-bearding versions.

(Example: SUE15ABP)



JAUSF Set-Ups

53000 J-TYPE SET-UPS*

53000 J-Type set-ups are specially designed to fit our 54000 modular manifolds, and are available in anti-bearding versions.

(Example: 53000-SUE15AB)

*Performance for 53000 J-Type Set-Ups is approximately equivalent to JAUSF set-ups.

Data on Spray Set-Up(s)	Type of Data	Available Spraying Material(s) for Data Type
SUE15 (.028" / 0.7 mm Orifice)	Coverage and Flow Rate	Water / OPADRY®
	Drop Size Information	Water / OPADRY®
	Relative Span Factor	Water / OPADRY®
SUE25B (.035" / 0.9 mm Orifice)	Coverage and Flow Rate	Water / OPADRY®
	Drop Size Information	Water / OPADRY®
	Relative Span Factor	Water / OPADRY®
SUE25A (.040" / 1.0 mm Orifice)	Coverage and Flow Rate	Water / OPADRY®
	Drop Size Information	Water / OPADRY®
	Relative Span Factor	Water / OPADRY®
53000-SUE15AB SUE15AB / SUE15ABP (.028" / 0.7 mm Orifice)	Coverage and Flow Rate	Water / OPADRY®
	Drop Size Information	Water / OPADRY®
	Relative Span Factor	Water / OPADRY®
53000-SUE25BAB SUE25BAB / SUE25BABP (.035" / 0.9 mm Orifice)	Coverage and Flow Rate	Water / OPADRY®
	Drop Size Information	Water / OPADRY®
	Relative Span Factor	Water / OPADRY®
53000-SUE25AAB SUE25AAB / SUE25AABP (.040" / 1.0 mm Orifice)	Coverage and Flow Rate	Water / OPADRY®
	Drop Size Information	Water / OPADRY®
	Relative Span Factor	Water / OPADRY®

DETERMINING SPRAY NOZZLE SET-UPS

A JAU or J-Type spray set-up, like a VMAU set-up, consists of a fluid cap and an air cap, each of which has its own part number. A standard 1/4 J anti-bearding spray set-up is shown below. Our JAUSF nozzle uses a modified version of this set-up, as do our 54000 manifolds.

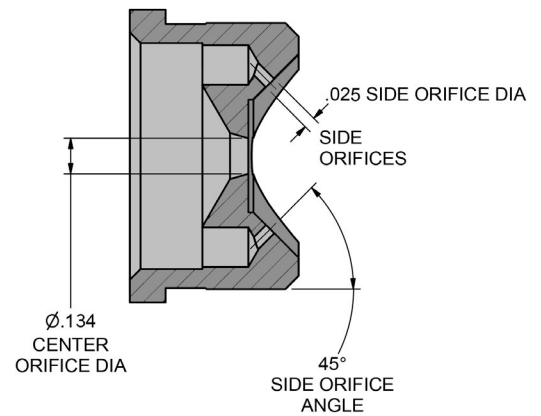
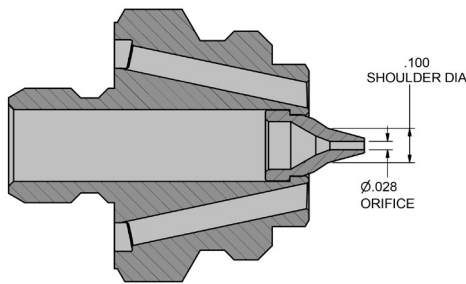
1/4J Set-Up No.	Fluid Cap No.	Air Cap No.
SUE15AB	PF28100AB	PA84228-45-C
SUE25BAB	PF35100AB	PA134225-45
SUE25AAB	PF40100AB	PA134225-45

EXAMPLE: JAU SET-UP NUMBER SUE25BAB

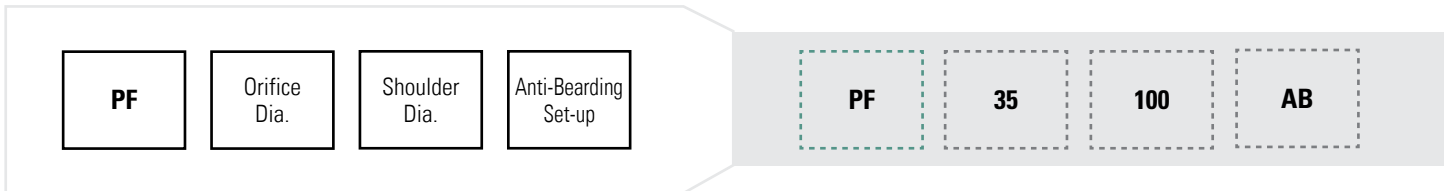
Fluid Cap No. PF35100AB

+

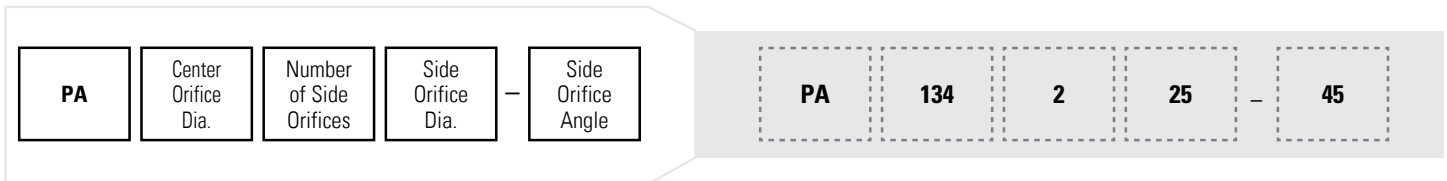
Air Cap No. PA134225-45



FLUID CAP PART NUMBER EXAMPLE



AIR CAP PART NUMBER EXAMPLE



*Note that anti-bearding set-ups bear the additional prefix "AB."

ORDERING INFORMATION

JAU, JAUSF and 53000 J-Type spray set-ups can be used for either the standard 1/4 JAU spray nozzle, the JAUSF spray nozzle or the 54000 Modular Manifold.

JAUSF SPRAY NOZZLE

PRODUCT OVERVIEW

The new, sanitary 51460-JAUSF spray nozzle is an update to the popular JAU series of spray nozzles. Designed for sanitary applications, the nozzle features a simpler design for easier cleaning and a welded external mount configuration.

FEATURES AND BENEFITS

- New, simpler design offers greatly improved cleanability
- Available in a wide variety of configurations
- Air atomizing nozzle helps achieve precise, consistent coating
- Offers similar performance to standard JAU
- No internal seals
- Features a pull-out needle for easy clean out
- Sanitary design features no internal threads in the liquid chamber



JAUSF Spray Nozzle

SPRAY TIP: REPLACE OLDER NOZZLES FOR IMPROVED CLEANABILITY

The 51460-JAUSF uses the same orifice sizes as our standard 1/4JAU nozzle and provides similar performance with fewer components for improved cleanability. It can be used as a direct replacement for older style JAU nozzles without the need for revalidation.



DIMENSIONS AND WEIGHTS – JAUSF SPRAY NOZZLE

	Nozzle Type	A in. (mm)	B in. (mm)	C in. (mm)	D in. (mm)	Net Weight lbs (oz.)
	51460	3.25 (82.5)	4.44 (112.8)	1.50 (38.1)	3.74 (95.1)	1.6 (.72)

ORDERING INFORMATION – JAUSF SPRAY NOZZLE

To order, specify body, spray set-up and needle assembly.

OPTIONS

Spray Set-Ups	Orifice Dia. in. (mm)	Needle Assembly
SUE25AABP-XX	.040 (1.02)	54008-705-XX
SUE25BABP-XX	.035 (0.89)	54008-704-XX
SUE15ABP-XX	.028 (0.71)	54008-703-XX

BODY STYLE

Example

Model No.

–

Material Code

54160 – JAUSF
–
316L

*Add B for BSPT connections, leave blank for NPT connections

SPRAY SET-UP

Example

Model No.

–

Material Code

SUE25AABP
–
316VIF

NEEDLE ASSEMBLY

Example

Model No.

–

Needle Assembly

–

Material Code

54008
–
705
–
316VIF

- Material Code = XX**
- SS = 303 stainless steel
 - 316L = 316L stainless steel
 - 316VIF = FDA Viton
 - 316EPF = FDA EPDM

MODULAR AIR ATOMIZING MANIFOLDS

PRODUCT OVERVIEW

54000 series modular manifolds are customizable, integrated coating systems designed to cut costs, simplify installation, and reduce maintenance. Each manifold consists of an end hub, connection hub, spacer blocks, and 2-12 spray nozzles – all configured to suit your process needs.

FEATURES AND BENEFITS

- Superior surface finish reduces contamination risk
- Manufacturing environment exceeds industry standards for hygienic products
- Complete turnover package available with material test reports, welder certification and other relevant data
- Lightweight- half the weight of other manufacturers' designs
- Disassembles in seconds, saving time and money
- Polished 316/316L stainless steel and stain-resistant TecaPro® for easy cleaning
- Improved spray performance maximizes throughput and product quality
- Ideal for spraying viscous liquids
- Can be used in batch or continuous processes

STANDARD 54000 MANIFOLD

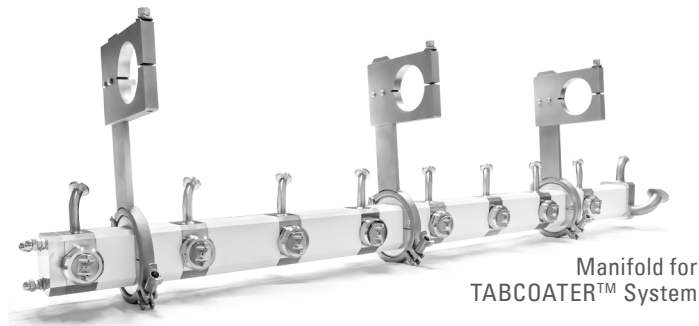
- For precision coating in batch coating applications
- Fully customizable, designed to meet your coater's exact specifications
- Houses up to 6 spray nozzles in a single manifold

LARGE CAPACITY 54000-LC MANIFOLD

- Ideal for large scale batch or continuous coating applications
- Houses up to 12 spray nozzles in a single manifold

INDIVIDUALLY FED 54000 MANIFOLD

- Ideal for large scale batch or continuous coating applications
- Houses up to 12 spray nozzles in a single manifold
- Patent-pending individually fed, internal-recirculating nozzles minimize clogging and enable highest precision of coating distribution for the most demanding coating applications



Manifold for
TABCOATER™ System

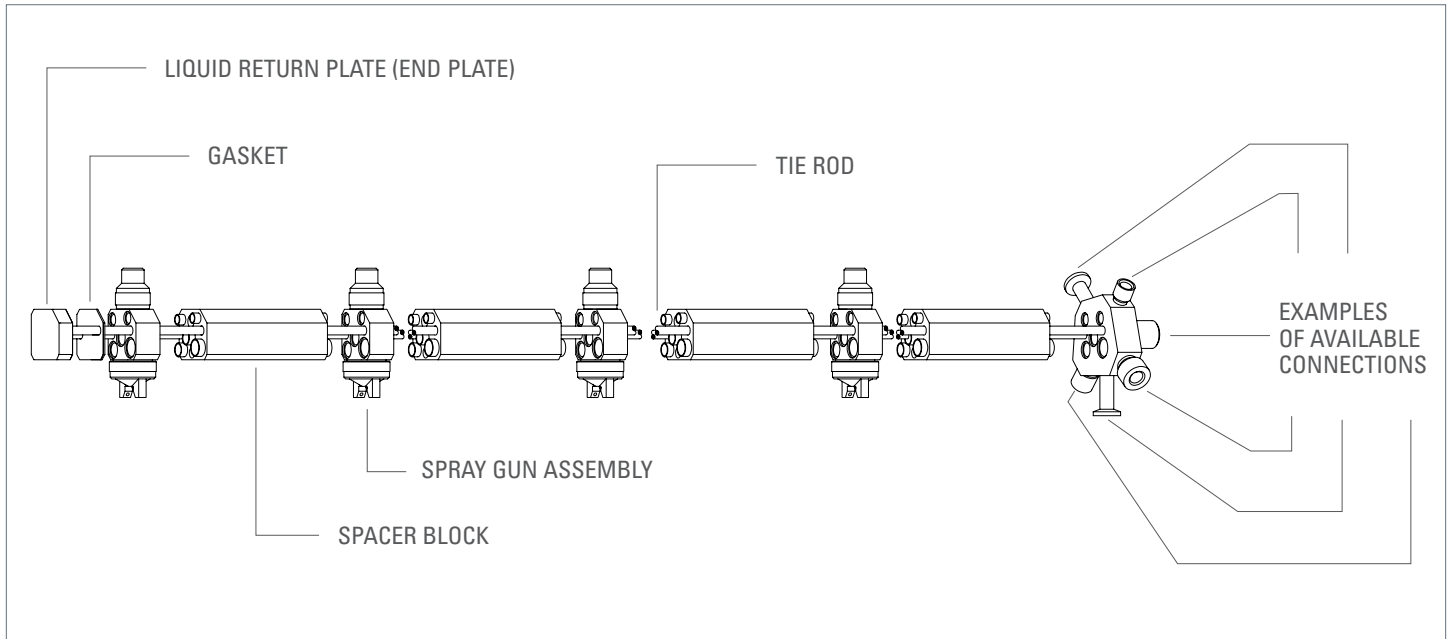


54000LC Manifold

54000 Manifold

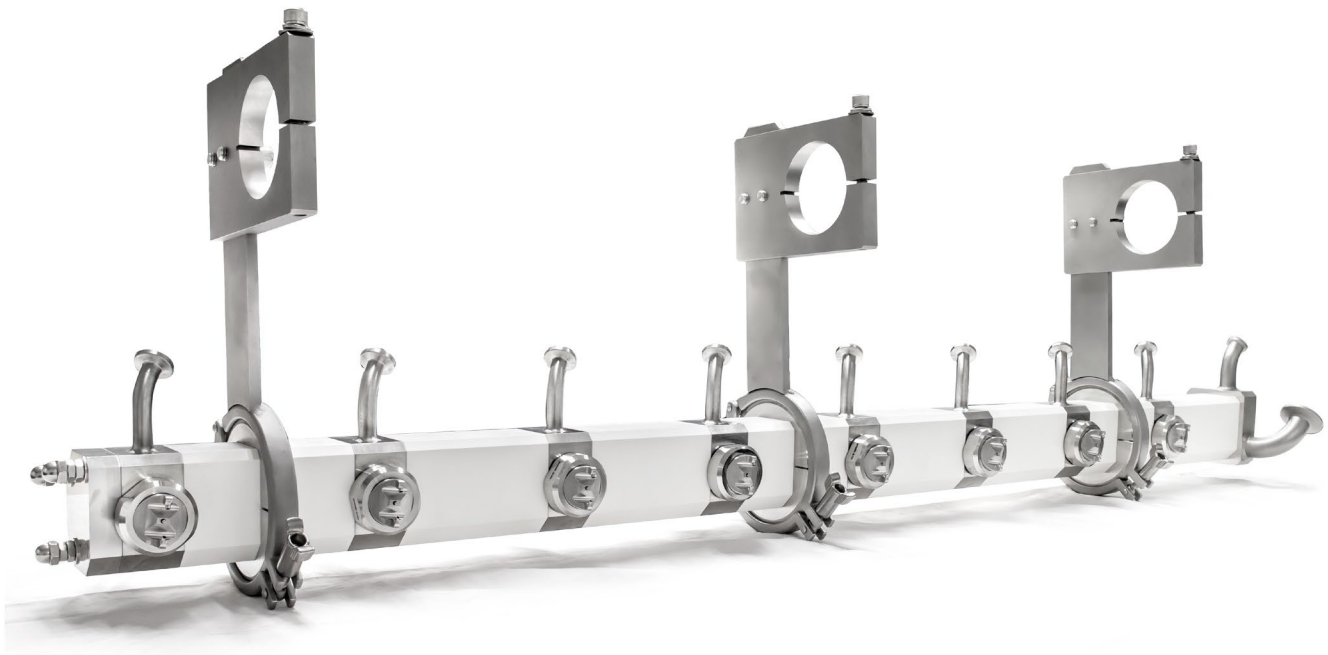
(*54000 Manifolds use either VMAU or JAU spray set-ups)

MODULAR AIR ATOMIZING MANIFOLD ASSEMBLY



SAVE TIME WITH ADJUSTABLE SANITARY MOUNTING CLAMPS

All of the 54000 family manifolds are available with a patent-pending fully-adjustable sanitary mounting clamp which permits users to quickly and precisely rotate the manifold to the necessary spray angle – eliminating the hassle of trial-and-error positioning. The sanitary clamp can be customized to your coater's exact specifications and allows for easy installation of the manifold in a variety of different coating systems.





FLUID BED PROCESSING

	PAGE
Application Overview	32
Fluid Bed Granulation and Wurster Coating	33
Nozzles and Lances for Top-Spray Granulation	34
Nozzles for Wurster Coating	38

ACHIEVE SUPERIOR RESULTS FOR FLUID BED COATING & GRANULATION

A **fluidized bed** occurs when a quantity of solid particles (generally contained in a holding vessel, most commonly a fluid bed processor) are placed under appropriate conditions to cause the mixture to behave as a fluid. This is typically done by forcing pressurized air, gas, or other fluids through the bed of solid particles. This causes the solid medium to acquire properties and attributes similar to those of normal fluids, resulting in what is known as **fluidization**.

Fluidized beds are commonly used in the pharmaceutical industry to dry, granulate, and coat any number of different active pharmaceutical ingredients (APIs), excipients, or other formulations.



FLUID BED GRANULATION

The fluid bed granulation process (also known as agglomeration) involves suspending particles in an air stream and spraying a liquid from the top of the system down onto the fluidized bed (**top-down spray**). Particles in the path of the spray get slightly wet and become sticky. The sticky particles collide with other particles in the bed of material and adhere to them to form granules. There are two different modes of fluid bed granulating: **wet stage** and **dry stage**.

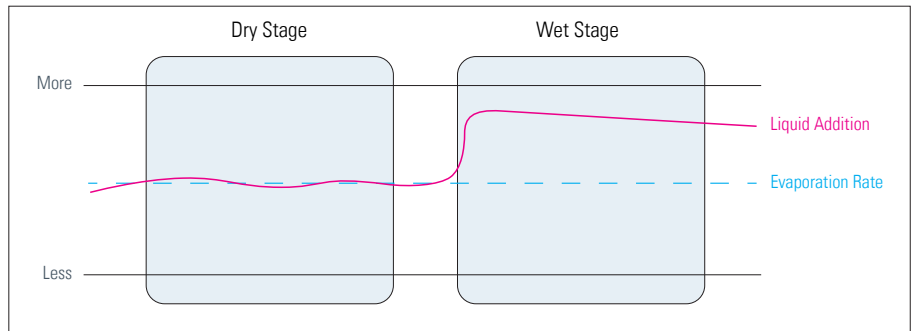
DRY STAGE GRANULATION

In dry stage granulation, the particles only require a slight wetting to become tacky and stick to each other. The granulating solution is applied at a rate less than or equal to its evaporation rate. Thus, the particles remain “dry” through the entire process.

WET STAGE GRANULATION

In wet stage granulation, the particles require a significant amount of moisture or granulating solution before they become tacky enough to stick to each other. The granulating solution is applied at a rate higher than the evaporation rate until the particles build up enough moisture to granulate.

Note: The characteristics of the particles when wet and the type of granulating solution being used will determine which mode of granulating is most appropriate. While dry stage is more common, wet stage granulating allows for denser products.



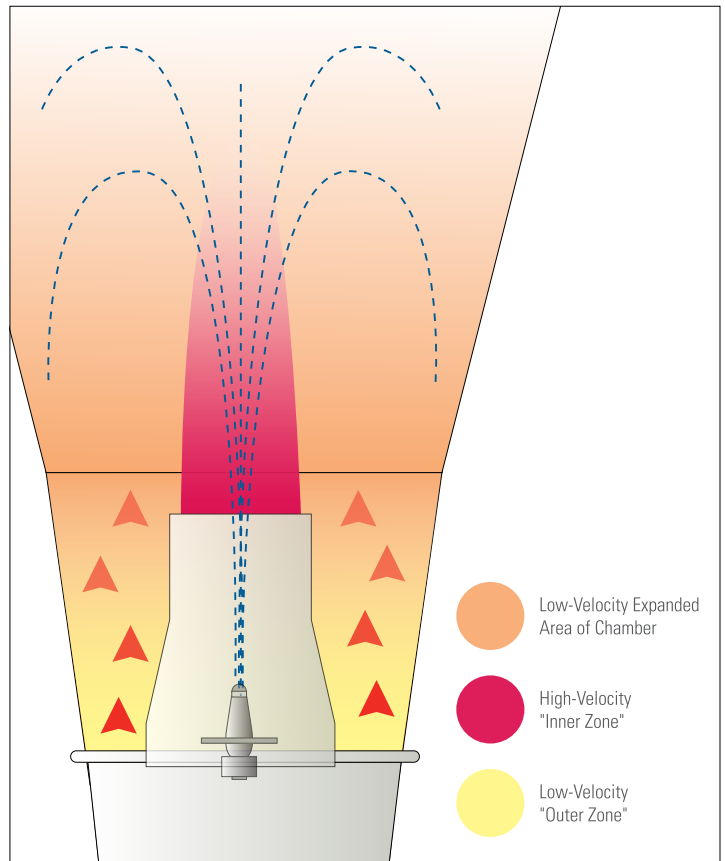
WURSTER COATING (FLUID BED COATING)

The Wurster process has been used for years to coat particles, spheres, granules, and tablets. Systems have been developed for use with a variety of coating formulations, including aqueous/organic solvents, hot saturated solutions and hot melts.

The basic concept in Wurster coating is to separate the particles in the fluid bed from one another in an air (gas) stream. While the particles are suspended, a coating formulation is sprayed from the bottom of the bed up onto the particles (**bottom-up spray**).

The process takes place inside a specially modified fluid bed that is divided into two zones by a partition. The inner area is a high velocity zone that separates the particles and pneumatically transports them past the spray nozzle. After passing the nozzle, the particles enter the expanded area of the chamber, slow down and fall back into the outer section of the fluid bed product bowl. The coating dries while the particles are suspended to prevent agglomeration from occurring when they enter the tranquil part of the bed.

The coated particles in the tranquil storage area remain fluidized just enough to allow them to continue moving towards the bottom of the bowl. When the particles reach the bottom, they are drawn back into the high velocity air stream and the cycle is repeated. This process continues until the desired level of coating has been achieved.



Wurster Process inside a fluid bed. The path of the particles in the air stream is illustrated by the dashed blue lines. The red triangles represent the fluidizing gas.

R&D SCALE

53992 TOP-SPRAY GRANULATING LANCE

PRODUCT OVERVIEW

Designed for use in R&D scale fluid bed dryers/granulators, and spray dryers, the completely customizable 53992 Top-Spray Granulating Lance is available in a range of orifice sizes to provide precision granulation and spray drying.

FEATURES AND BENEFITS

- For R&D scale applications
- 316SS construction
- Available in .016", .020", .028" and custom orifice sizes
- Spray pattern: full circular cone (top-down spray)
- Welded air cap and seamless tubing
- Sanitary design and connections
- Anti-bearding feature to ensure optimal performance
- Available with insertion graduations

53992 Top-Spray
Granulating Lance**SPRAY TIP: ENHANCE THE PERFORMANCE
OF R&D SCALE FLUID BED GRANULATORS**

Get the most out of your R&D scale fluid bed system with the new 53992 Top-Spray Granulating Lance. Available at custom lengths and with insertion graduations to ensure optimal spray height for fluid bed granulation, the lance is designed to provide superior spray performance and improve batch uniformity.



DIMENSIONS — 53992 TOP-SPRAY GRANULATING LANCE

	A in. (mm)	B in. (mm)	C in. (mm)
	33.63 (854.20)	30.00 (762.00)	2.38 (60.45)

PERFORMANCE DATA

Data on Spray Set-Up(s)	Type of Data	Available Spraying Material(s) for Data Type
CP53992-301 (.016" / 0.4 mm Orifice)	Coverage and Flow Rate	Water / OPADRY®
	Drop Size Information	Water / OPADRY®
	Relative Span Factor	Water / OPADRY®
CP53992-302 (.020" / 0.5 mm Orifice)	Coverage and Flow Rate	Water / OPADRY®
	Drop Size Information	Water / OPADRY®
	Relative Span Factor	Water / OPADRY®
CP53992-303 (.028" / 0.7 mm Orifice)	Coverage and Flow Rate	Water / OPADRY®
	Drop Size Information	Water / OPADRY®
	Relative Span Factor	Water / OPADRY®

PRODUCTION SCALE

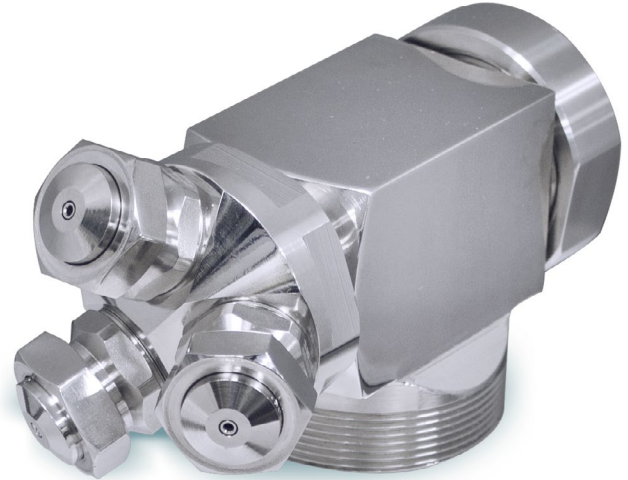
46920/46925 TOP-SPRAY GRANULATING NOZZLES

PRODUCT OVERVIEW

Our production scale top-spray granulating nozzles are intended for use in larger-size fluid bed granulators. Engineered with a three or six-orifice “cluster-head” configuration, the nozzle produces a fine spray for consistent, uniform granulation, even at larger batch sizes.

FEATURES AND BENEFITS

- For pilot/production scale applications
- Fine spray
- Materials: 316L stainless steel, FDA-approved EPDM O-rings and Teflon® gaskets
- Modular design for quick disassembly
- Spray pattern: wide cone (top-down spray)
- Models available with air-actuated liquid shut-off feature (46925 Only)



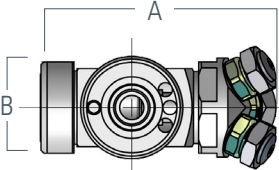
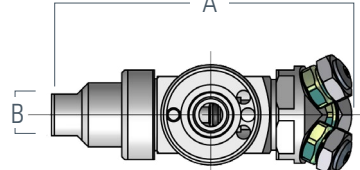
46920 Top-Spray Granulating Nozzle

SPRAY TIP: RETROFIT EXISTING MACHINES FOR SUPERIOR GRANULATION

Production scale top-spray granulating nozzles are designed to replace old or worn nozzles supplied with large batch fluid bed granulating systems, and are available with customizable lance configurations to fit your system’s exact specifications.



DIMENSIONS — 46920 / 46925 TOP-SPRAY GRANULATING NOZZLES

46920 (No liquid shut-off)	46925 (With liquid shut-off)	Nozzle Number	A in. (mm)	B Flats in. (mm)
		46920	4.66 (118.36)	1.75 (44.45)
		46925	6.04 (153.42)	0.81 (20.57)

PERFORMANCE DATA

Data on Spray Set-Up(s)	Type of Data	Available Spraying Material(s) for Data Type
SU1A (.016" / 0.4 mm Orifice)	Coverage and Flow Rate	Water / OPADRY®
	Drop Size Information	Water / OPADRY®
	Relative Span Factor	Water / OPADRY®
SU1 (.020" / 0.5 mm Orifice)	Coverage and Flow Rate	Water / OPADRY®
	Drop Size Information	Water / OPADRY®
	Relative Span Factor	Water / OPADRY®
SU2A (.020" / 0.5 mm Orifice)	Coverage and Flow Rate	Water / OPADRY®
	Drop Size Information	Water / OPADRY®
	Relative Span Factor	Water / OPADRY®
SU2 (.028" / 0.7 mm Orifice)	Coverage and Flow Rate	Water / OPADRY®
	Drop Size Information	Water / OPADRY®
	Relative Span Factor	Water / OPADRY®
SU4 (.060" / 1.5 mm Orifice)	Coverage and Flow Rate	Water / OPADRY®
	Drop Size Information	Water / OPADRY®
	Relative Span Factor	Water / OPADRY®
SU5 (.100" / 2.5 mm Orifice)	Coverage and Flow Rate	Water / OPADRY®
	Drop Size Information	Water / OPADRY®
	Relative Span Factor	Water / OPADRY®

ORDERING INFORMATION — 46920 / 46925 TOP-SPRAY GRANULATING NOZZLES

To order, select either model 46920 or 46925, spray-set up (see above), and materials.

Example

Model Number	—	Material Code	46925	—	316EPF
--------------	---	---------------	-------	---	--------

Material Code

316EPF = FDA EPDM

316SS = 316 stainless steel

SPRAY SET-UP

Example

Set-Up Number	—	Material Code	SU1A	—	316SS
---------------	---	---------------	------	---	-------

R&D SCALE

7/16-20-FBCAU(S)-___-316L

FLUID BED COATING NOZZLES

PRODUCT OVERVIEW

Our R&D scale fluid bed coating nozzles are designed to provide superior Wurster coating performance for R&D scale fluid bed coating systems.

FEATURES AND BENEFITS

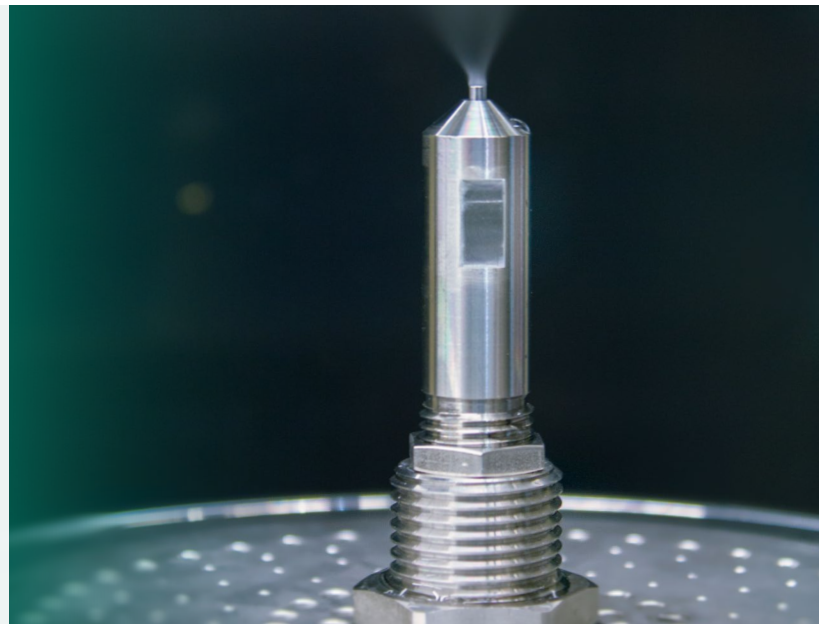
- For R&D scale applications
- Available in 2 options - long and short
- Medium to fine spray
- Materials: 316L stainless steel, EPDM O-rings, FDA-approved Teflon® gaskets
- 0.020", 0.032", 0.040", 0.047" and custom nozzle orifice sizes available
- Spray pattern: full circular cone (bottom-up spray)
- Anti-bearding setups



7/16-20-FBCAUS-___-316L
Short Fluid Bed
Coating Nozzle

SPRAY TIP: USE MULTIPLE NOZZLES FOR LARGER COATING APPLICATIONS

R&D scale fluid bed nozzles are designed for small-scale fluid bed coating applications— specifically Wurster coating— requiring only one spray nozzle.



DIMENSIONS — 7/16-20-FBCAU-___-316L & 7/16-20-FBCAUS-___-316L FLUID BED COATING NOZZLES

Nozzle Number	A in. (mm)	B in. (mm)	C in. (mm)	D Flats in. (mm)
7/16-20-FBCAU	7.04 (178.82)	4.79 (121.67)	1.64 (41.66)	1.12 (28.58)
7/16-20-FBCAUS	4.76 (120.90)	2.69 (68.33)	1.64 (41.66)	

PERFORMANCE DATA

Data on Spray Set-Up(s)	Type of Data	Available Spraying Material(s) for Data Type
VAR. 001 (.020" / 0.5 mm Orifice)	Coverage and Flow Rate	Water / OPADRY®
	Drop Size Information	Water / OPADRY®
	Relative Span Factor	Water / OPADRY®
VAR. 002 (.032" / 0.8 mm Orifice)	Coverage and Flow Rate	Water / OPADRY®
	Drop Size Information	Water / OPADRY®
	Relative Span Factor	Water / OPADRY®
VAR. 003 (.040" / 1.0 mm Orifice)	Coverage and Flow Rate	Water / OPADRY®
	Drop Size Information	Water / OPADRY®
	Relative Span Factor	Water / OPADRY®
VAR. 004 (.047" / 1.2 mm Orifice)	Coverage and Flow Rate	Water / OPADRY®
	Drop Size Information	Water / OPADRY®
	Relative Span Factor	Water / OPADRY®

ORDERING INFORMATION — 7/16-20-FBCAU-___-316L FLUID BED COATING NOZZLES

To order, specify nozzle number, set-up and material code.

Example

Nozzle Number	-	Set-Up Number	-	Material Code
7/16-20-FBCAU	-	001	-	316L

Material Code

316L = 316L Stainless Steel

PILOT SCALE

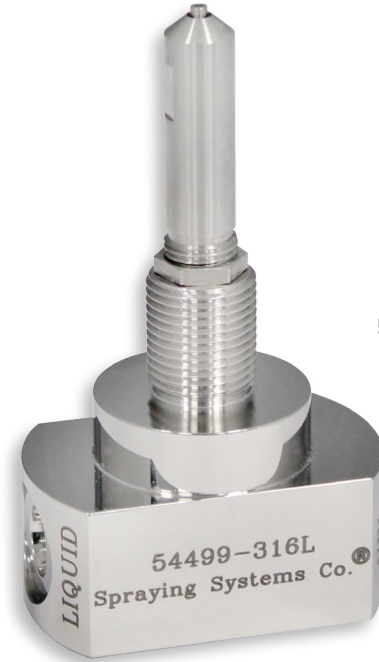
54499 FLUID BED COATING NOZZLES

PRODUCT OVERVIEW

Intended to replace existing nozzles in pilot and small production scale fluid bed systems, 54499 fluid bed coating nozzles provide superior spray performance and are designed to meet your system's exact specifications.

FEATURES AND BENEFITS

- For pilot/production scale applications
- Fine spray
- Materials: 316L stainless steel, EPDM O-rings, FDA-approved Teflon® gaskets
- 0.047" and 0.059" nozzle orifice sizes available
- Spray pattern: narrow full cone (bottom-up spray)



54499 Fluid Bed Coating Nozzle

SPRAY TIP: SIMPLIFY SCALE-UP TO LARGER BATCH SIZES

Pilot scale fluid bed coating nozzles are designed to minimize the challenge of scale-up from small R&D applications to larger pilot and production scale batches. 54499 pilot scale fluid bed coating nozzles retain the same fluid tip size as the smaller, R&D scale nozzles, making it simple to achieve the same results in larger systems.



DIMENSIONS — 54499 FLUID BED COATING NOZZLES

A* in. (mm)	B* in. (mm)	C* in. (mm)	D in. (mm)	E dia. in. (mm)	F in. (mm)	G in. (mm)
4.50 (114.30)	2.75 (69.85)	1.87 (47.50)	0.06 (1.52)	2.50 (63.50)	1.09 (27.69)	1.50 (38.10)

*Custom lengths available.

PERFORMANCE DATA

Data on Spray Set-Up(s)	Type of Data	Available Spraying Material(s) for Data Type
VAR. 001 (.047" / 1.2 mm Orifice)	Coverage and Flow Rate	Water / OPADRY®
	Drop Size Information	Water / OPADRY®
	Spray Velocity	Water / OPADRY®
VAR. 002 (.059" / 1.5 mm Orifice)	Coverage and Flow Rate	Water / OPADRY®
	Drop Size Information	Water / OPADRY®
	Spray Velocity	Water / OPADRY®

ORDERING INFORMATION — 54499 FLUID BED COATING NOZZLES

To order, specify nozzle number, set-up and material code.

Example

Nozzle Number	–	Set-Up Number	–	Material Code
54499	–	001	–	316L

Material Code

316L = 316L Stainless Steel

PRODUCTION SCALE
46910 / 46915 FLUID BED COATING
NOZZLES

PRODUCT OVERVIEW

Intended to replace existing nozzles already in use in larger pilot or production scale fluid bed systems, our customizable production scale fluid bed coater nozzles are designed to improve your Wurster coating application.

FEATURES AND BENEFITS

- For pilot/production scale applications
- Fine spray
- Materials: 316L stainless steel, EPDM O-rings, FDA-approved Teflon® gaskets
- 1.5mm, 2.2mm and 4.0mm nozzle orifice sizes available
- Spray pattern: narrow full cone (bottom-up spray)
- Models available with air-actuated liquid shut-off feature (46915 Only)
- Custom nozzle lengths available



46915 Fluid Bed
Coating Nozzle

**SPRAY TIP: CUSTOM LANCE ASSEMBLIES
AVAILABLE FOR FLUID BED COATERS**

In addition to fluid bed coating nozzles, we are able to manufacture customizable lance assemblies to fit your existing fluid bed system.

To view a specification sheet, click on the link above.



DIMENSIONS — 46910 / 46915 FLUID BED COATING NOZZLES

46910 (No liquid shut-off)		46915 (With liquid shut-off)		
Nozzle Number	A* in. (mm)	B* in. (mm)	C* in. (mm)	D Flats in. (mm)
46910	10.37 (263.40)	8.50 (215.90)	7.01 (178.05)	1.75 (44.45)
46915	11.75 (298.45)	8.50 (215.90)	7.01 (178.05)	0.81 (20.57)

*Custom lengths available. For 46910 and 46915 Wurster Coating Nozzles, length B determines both length A and C. Choose length B based on your system's requirements.

PERFORMANCE DATA

Data on Spray Set-Up(s)	Type of Data	Available Spraying Material(s) for Data Type
VAR. 001 (.059" / 1.5 mm Orifice)	Coverage and Flow Rate	Water
	Drop Size Information	Water / OPADRY®
	Relative Span Factor	Water / OPADRY®
VAR. 002 (.086" / 2.2 mm Orifice)	Coverage and Flow Rate	Water
	Drop Size Information	Water / OPADRY®
	Relative Span Factor	Water / OPADRY®
VAR. 003 (.157" / 4.0 mm Orifice)	Coverage and Flow Rate	Water
	Drop Size Information	Water / OPADRY®
	Relative Span Factor	Water / OPADRY®

ORDERING INFORMATION — 46910 / 46915 FLUID BED COATING NOZZLES

To order a complete 46910 / 46915 fluid bed coating nozzle, first specify a nozzle assembly. Then, use the chart below and the performance data on the previous page to determine the appropriate fluid cap and air cap to complete your nozzle.

NOZZLE ASSEMBLY

Choose either model number 46910 (no liquid shut-off) or model 46915 (with liquid shut-off) and specify an extension length.

Example

Model Number	-	Extension Length	-	Material Code
--------------	---	------------------	---	---------------

46915 - **8.5*** - **316EPF**

Material Code
316EPF = FDA EPDM
316L = 316L stainless steel

*Custom lengths available. Specify extension length based on your system's requirements.

VARIATION TABLE

Set-Up Number	Fluid Cap Number	Air Cap Number
VAR. 001 (.059" / 1.5 mm Orifice) <i>Consists of:</i>	WF15-316L (1.5 mm Orifice) +	WA95-316L (9.5 mm Orifice)
VAR. 002 (.086" / 2.2 mm Orifice) <i>Consists of:</i>	WF22-316L (2.2 mm Orifice) +	WA95-316L (9.5 mm Orifice)
VAR. 003 (.157" / 4.0 mm Orifice) <i>Consists of:</i>	WF40-316L (4.0 mm Orifice) +	WA95-316L (9.5 mm Orifice)

FLUID CAP

Reference the performance data and use the table above to select the appropriate size fluid cap and air cap for your application.

Example

Fluid Cap Type	Fluid Cap Number	-	Material Code
----------------	------------------	---	---------------

WF **15** - **316L**

AIR CAP

Example

Fluid Cap Type	Fluid Cap Number	-	Material Code
----------------	------------------	---	---------------

WA **95** - **316L**



HIGH-SHEAR GRANULATION

	PAGE
Application Overview	46
Lances for High-Shear Granulation	47

SOLUTIONS FOR EFFICIENT, HOMOGENEOUS GRANULATION

Fluid undergoes “shear” when a certain area of its surface is traveling with a different velocity relative to an adjacent area. A high-shear mixer uses a rotating impeller or high-speed rotor (or both) to create flow and shear. The tip velocity, or speed of the fluid at the outside edge of the rotor, will be higher than the velocity at the center of the rotor, and it is this difference in velocity that creates shear.

High-shear granulation is an effective way to turn powders into dense granules for tableting or coating. To create the granules, powders are added to the mixing bowl and the bowl is sealed. A large impeller rotates at slow speeds, spinning the powders into a vortex. After the powders are blended together, liquid is added to the product using a pump or pressurized container. A high-speed chopper tool located in the bowl shears the granules and removes air. The mixing continues until the desired granule size and density are achieved.



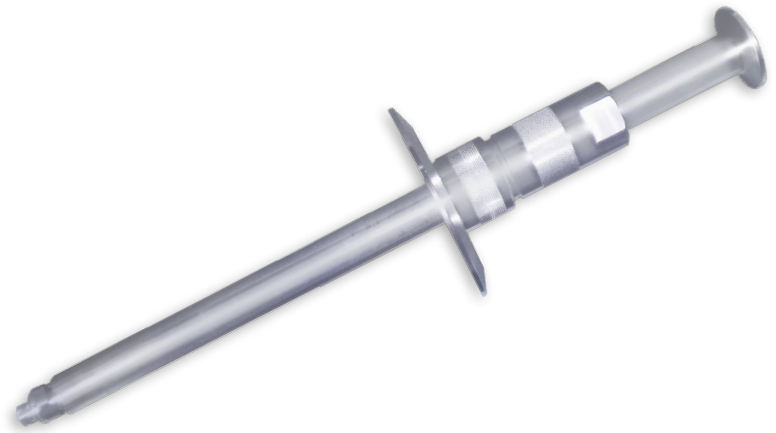
CUSTOM-FABRICATED GRANULATION LANCES

PRODUCT OVERVIEW

We are able to provide fully customized lances for your high-shear granulation application. The lances are available in either adjustable hydraulic or fixed length and use TP style UniJet® or TeeJet® spray tips.

FEATURES AND BENEFITS

- Completely customizable, designed to fit your mixer's exact specifications
- Threadless, sanitary design – all components are welded in place
- Sanitary connections
- Materials of construction: 316L stainless steel



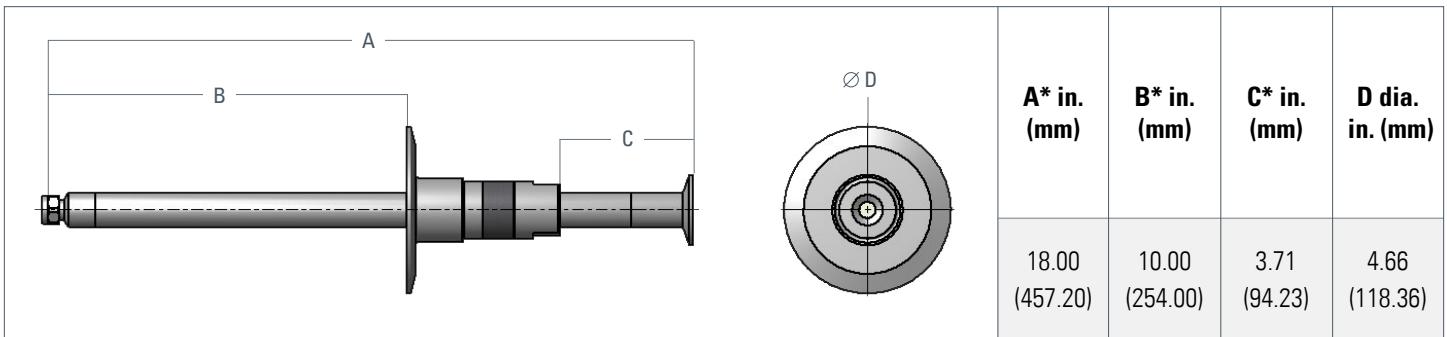
SPRAY TIP: RETROFIT YOUR HIGH-SHEAR MIXER TO ENHANCE GRANULATION RESULTS

Replace your existing spray assembly with a completely customized high-shear granulation lance for improved performance and sanitation. We are able to customize high-shear granulation lances to fit a range of high-shear mixers, including Fluid Air PHARMX® systems as well as those of other manufacturers.

For more information on high-shear mixers, visit fluidairinc.com.



DIMENSIONS – CUSTOM-FABRICATED GRANULATION LANCES



*Custom lengths available.

PERFORMANCE DATA

Spray Angle at 40 PSI	Capacity Size	Orifice Dia. (in.)*	Capacity gpm**											Spray Angle (°)			
			5	10	20	30	40	60	80	100	200	300	500	20	40	80	200
80°	0050	.018	--	--	.035	.043	.050	.060	.07	.08	.11	.14	.18	61	80	95	101
	0067	.021	--	.033	.05	.06	.067	.08	.09	.11	.15	.18	.24	67	80	94	99
	01	.026	--	.05	.07	.09	.10	.12	.14	.16	.22	.27	.35	68	80	89	92
	015	.032	--	.08	.11	.13	.15	.18	.21	.24	.34	.41	.53	68	80	89	92
	02	.035	.07	.10	.14	.17	.20	.24	.28	.32	.45	.55	.71	69	80	88	91
	03	.043	.11	.15	.21	.26	.30	.37	.42	.47	.67	.82	1.1	70	80	87	90
	04	.050	.14	.20	.28	.35	.40	.49	.57	.63	.89	1.1	1.4	71	80	86	89
	045	.053	.16	.23	.32	.39	.45	.55	.64	.71	1.0	1.2	1.6	71	80	86	89
	05	.056	.18	.25	.35	.43	.50	.61	.71	.79	1.1	1.4	1.8	71	80	86	89
	06	.061	.21	.30	.42	.52	.60	.73	.85	.95	1.3	1.6	2.1	72	80	85	88
	07	.066	.25	.35	.49	.61	.70	.86	.99	1.1	1.6	1.9	2.5	72	80	85	88
	08	.071	.28	.40	.57	.69	.80	.98	1.1	1.3	1.8	2.2	2.8	72	80	84	87
	09	.075	.32	.45	.64	.78	.90	1.1	1.3	1.4	2.0	2.5	3.2	73	73	73	73
	10	.079	.35	.50	.71	.87	1.0	1.2	1.4	1.6	2.2	2.7	3.5	73	80	84	87
	11	.083	.39	.55	.78	.95	1.1	1.3	1.6	1.7	2.5	3.0	3.9	73	73	73	73
	12	.087	.42	.60	.85	1.0	1.2	1.5	1.7	1.9	2.7	3.3	4.2	73	73	73	73
	13	.090	.46	.65	.92	1.1	1.3	1.6	1.8	2.1	2.9	3.6	4.6	73	73	73	73
	14	.093	.49	.70	.99	1.2	1.4	1.7	2.0	2.2	3.1	3.8	4.9	73	73	73	73
	15	.097	.53	.75	1.1	1.3	1.5	1.8	2.1	2.4	3.4	4.1	5.3	74	80	83	86
	16	.100	.57	.80	1.1	1.4	1.6	2.0	2.3	2.5	3.6	4.4	5.7	74	80	83	86
17	.103	.60	.85	1.2	1.5	1.7	2.1	2.4	2.7	3.8	4.7	6.0	74	80	83	86	
20	.112	.71	1.0	1.4	1.7	2.0	2.4	2.8	3.2	4.5	5.5	7.1	74	80	83	86	
25	.121	.88	1.3	1.8	2.2	2.5	3.1	3.5	4.0	5.6	6.8	8.8	74	80	83	86	
30	.133	1.1	1.5	2.1	2.6	3.0	3.7	4.2	4.7	6.7	8.2	10.6	74	80	83	86	
40	.153	1.4	2.0	2.8	3.5	4.0	4.9	5.7	6.3	8.9	11.0	14.1	74	80	83	86	
50	.172	1.8	2.5	3.5	4.3	5.0	6.1	7.1	7.9	11.2	13.7	17.7	74	80	83	85	
60	.188	2.1	3.0	4.2	5.2	6.0	7.3	8.5	9.5	13.4	16.4	21	75	80	83	85	
70	.203	2.5	3.5	4.9	6.1	7.0	8.6	9.9	11.1	15.7	19.2	25	75	80	83	86	

ORDERING INFORMATION – CUSTOM-FABRICATED GRANULATION LANCES

For ordering information on custom-fabricated granulation lances, [contact us](#).



SPRAY DRYING

	PAGE
Application Overview	50
SV Series SprayDry® Nozzles	51
SB Series SprayDry® Nozzles	52
SK Series SprayDry® Nozzles	53

PIONEERS OF SPRAY DRYING TECHNOLOGY

Spray drying is a means of producing a dried powder from a liquid or thick, semi-solid solution by rapidly drying with a hot gas. This is a common method used to dry many temperature-sensitive materials like foods, chemicals and pharmaceuticals. The roots of spray drying can be traced back to the 1800s when rotary atomizers were used to produce particles. Spraying Systems Co. developed the first line of commercially available nozzles for spray drying in the 1940s.

The term "SprayDry®" was first used by Spraying Systems Co. in 1943 and became a registered trademark of the company in 1951. As demand for products like dried milk and eggs increased during World War II and after, our SprayDry line evolved rapidly to accommodate a wide variety of applications. Spraying Systems Co. offers the broadest selection of SprayDry® nozzles available, including core, whirlchamber and swirlchamber designs.



SV SERIES SPRAYDRY® NOZZLE

PRODUCT OVERVIEW

New SV Series SprayDry® nozzles feature maximum-free-passage orifices and a one-piece swirlchamber made from special tungsten carbide material to deliver consistent performance with superior resistance to wear and clogging.

FEATURES AND BENEFITS

- Hand-tight design for easy assembly and disassembly
- Large maximum-free-passage helps reduce clogging and maintenance downtime
- Rated at 10,000 psi
- Long wear life
- Quick delivery



SV Series
SprayDry® Nozzles

DIMENSIONS

	Nozzle Type	Inlet Conn.	A Dia. in. (mm)	B Length in. (mm)	C Length in. (mm)	D Flat in. (mm)	E Dia. in. (mm)	F Flat in. (mm)	Weight lbs. (kg)
	SV	1/4", 3/8", 1/2"	1.90 (48.3)	2.62 (66.4)	2.00 (50.8)	1.5 (38.1)	1.74 (44.2)	1.75 (44.5)	1.5 (0.67)

SK SERIES SPRAYDRY® NOZZLE

PRODUCT OVERVIEW

SK series SprayDry® nozzles produce a fine, hollow-cone spray with a very narrow drop size distribution ideal for spray drying applications. SK SprayDry® nozzles are also available with hand-tight (H) and maximum-free-passage features (MFP) and are available with 145 different orifice insert/core combinations to suit your application’s exact needs.

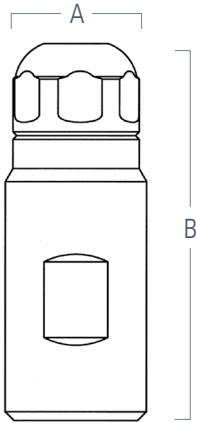
FEATURES AND BENEFITS

- Hand-tight design for easy assembly and disassembly
- Large maximum-free-passage helps reduce clogging and maintenance downtime
- Anti-bearding design reduces dangerous contamination
- Long wear life
- Improved sanitary features for regulatory compliance in pharmaceutical applications



SK Series
SprayDry® Nozzles

DIMENSIONS

	Nozzle Type	Inlet Conn.	A Dia. in. (mm)	B Length in. (mm)	Weight lb. (kg)
SKH-MFP	1/4"	1.12 (28.4)	2.99 (75.9)	0.75 (0.34)	
	3/8"	1.12 (28.4)	2.99 (75.9)	0.69 (.031)	

SB SERIES SPRAYDRY® NOZZLE

PRODUCT OVERVIEW

SB series SprayDry® nozzles are similar to the SK series nozzles. The SB SprayDry® nozzle is available with hand-tight (H) and maximum-free-passage features (MFP) as well as over 120 different orifice insert/core combinations to suit your application’s exact needs.


FEATURES AND BENEFITS

- Hand-tight design for easy assembly and disassembly
- Large maximum-free-passage helps reduce clogging and maintenance downtime
- Anti-bearding design reduces dangerous contamination
- Long wear life
- Improved sanitary features for regulatory compliance in pharmaceutical applications



SB Series
SprayDry® Nozzles

DIMENSIONS

	Nozzle Type	Inlet Conn.	A Dia. in. (mm)	B Length in. (mm)	Weight lb. (kg)
	SBH-MFP	3/8"	1.49 (37.8)	4.01 (101.9)	1.6 (0.73)
		1/2"	1.49 (37.8)	4.17 (105.9)	1.7 (0.77)



VESSEL CLEANING

	PAGE
Application Overview	55
Selection and Optimization Tips	56
CIP / WIP Solutions	58
Fixed Spray Balls	60
Fluid-Driven Rotary Nozzles	62
Regulated Fluid-Driven Rotary Nozzles	70



EFFECTIVE CLEANING FOR VIRTUALLY ANY APPLICATION

Unlike tablets or capsules intended for oral consumption, drugs manufactured through bio-processing methods are usually administered parenterally (intravenously) or by routes other than the digestive tract. The stakes are, therefore, much higher, and the risk of contamination must be reduced or eliminated at all costs – sterility and cleanability become the highest priorities. All markets in the bio-processing industry strive for some level of bioburden control (control over a biological product's level of contamination with microorganisms), the stringency of which is dependent on the type of product being processed.



SELECTION AND OPTIMIZATION TIPS

Address these factors first to identify the best tank cleaning solution for your application.

1. HYGIENIC EQUIPMENT CLEANING

- Regular and thorough cleaning of hygienic equipment is essential to maintaining bioburden control and preventing cross contamination.
- Spray device selection is critical to passing a wetting test of the internal surfaces of the hygienic equipment.
- Spray device selection is dependent on a review of the device's design and operation parameters as well as the intended process.
- Proper equipment design and spray device selection will ensure a robust cleanability potential.

2. VESSEL REVIEW

- Vessel size (volume).
- Nozzle size, total number of nozzles, location(s) on vessel.
- Internal vessel geometry and appurtenances (agitator, baffles, spargers, dip tubes, instrument wells, sample ports, etc.).
- Shadowing concerns.

3. CLEAN UTILITIES AND PROCESS REVIEW

- Clean utility capacity (gpm/lpm) at pressure (psi/bar) available.
- Chemistry employed (aqueous vs. solvent-based materials).
- Temperature (hot water or steam).
- Air blows.

4. CLEANING METHODOLOGY*

Clean in Place (CIP): Cleaning equipment left in place during product manufacture.

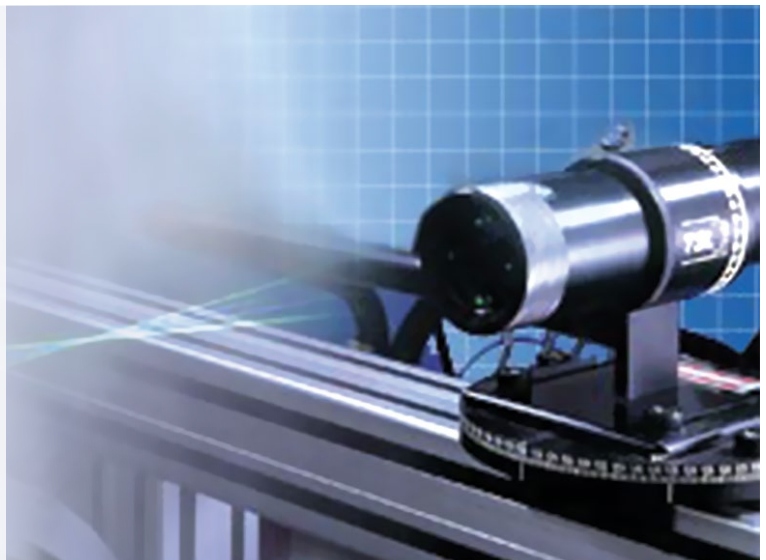
Steam in Place (SIP): Cleaning equipment left in place during the steam process and/or used to deliver the steam.

Wash in Place (WIP): Cleaning equipment removed during product manufacture. Typically not used for applications requiring a high level of bioburden control or sterile applications. Rotary spray devices and spray balls can be considered for these applications.

*Note: Applications requiring a high level of bioburden control or sterile CIP applications require equipment designed and fabricated to the ASME® BPE standard. Typically a unique keyed wand with a precision drilled spray ball is required for a successful riboflavin wetting test.

SPRAY TIP: USE SPRAY ANALYSIS TO SELECT THE RIGHT CLEANING SOLUTION

Unsure which spray device is right for you? Our Spray Analysis and Research Services team is able to provide state-of-the-art analysis of your equipment, including sophisticated CFD (Computational Fluid Dynamics) and PDI (Phase Doppler Interferometry) technology to simulate the efficacy of different spray patterns and device configurations inside a 3D model of your vessel to determine which solution is right for your application.



SELECTION AND OPTIMIZATION TIPS (CONTINUED)

Address these factors first to identify the best tank cleaning solution for your application.

5. FLOW RATE

- The ASME® BPE standard targets a flow rate of 2.5 to 3 gpm (9.4 to 11.4 lpm) per foot (0.3 m) of inner vessel circumference using a 180° up spray ball. This flow results in a turbulent sheeting action down the vessel walls.
- Consider using a lower flow rate when static or dynamic spray devices are used that have a 360° spray pattern.
- A lower flow rate of 1.9 to 2.3 gpm (7.2 to 8.7 lpm) per foot (0.3 m) of inner vessel circumference can be targeted when specifying a single-axis rotary spray device.

6. SPRAY DEVICE REVIEW

- Review external and internal surfaces for best hygienic design. Design should consider drainability and cleanability of all surfaces.
- Determine the device's materials of construction, including all subcomponents. Review for compatibility with clean utility and process solutions.
- Orifice selection and resultant spray pattern (jet, fan, etc.) ensures complete wetting of all targeted surfaces.
- Ease of device disassembly for cleaning, maintenance and inspection.
- Device connection style (e.g., clipped, butt weld) meets intended cleaning methodology.
- Cleaning equipment data package meets the owner's/end user's requirements for material test reports, surface finish certificates, welder certificates, no ADI certificates, elastomeric USP Class VI certificates, etc.

7. SPRAY IMPACT

- Rinsing targeted surfaces (numerous small orifices, low pressure).
- Cleaning targeted surfaces (fewer, larger orifices, higher pressure).
- Note: Increasing flow rate is more effective than increasing pressure. Doubling the flow rate increases impact by as much as 100%, while doubling pressure provides only 40% greater impact.



A typical vessel used for bioprocessing.

CUSTOM-FABRICATED WANDS, MANIFOLDS, AND MORE

PRODUCT OVERVIEW

Nozzles are just one part of a total cleaning solution. In addition to our entire line of customizable spray devices, we are able to design and fabricate custom wands, manifolds, and other solutions for nearly any application or process requirement. Our custom solutions can optimize spray performance, improve product quality and simplify system installation while minimizing physical changes to existing operations.

METALLIC / WELDED SOLUTIONS

- Custom CIP Lances/Wands, dip tubes, tube manifolds, spray rings and more designed and fabricated to your exact requirements
- Materials of construction: 316L stainless steel, Hastelloy®, AL6XN®, and other exotics
- Welders and weld/fabrication procedures BPVC Sect. IX compliant as required by the ASME® BPE

NON-METALLIC SOLUTIONS

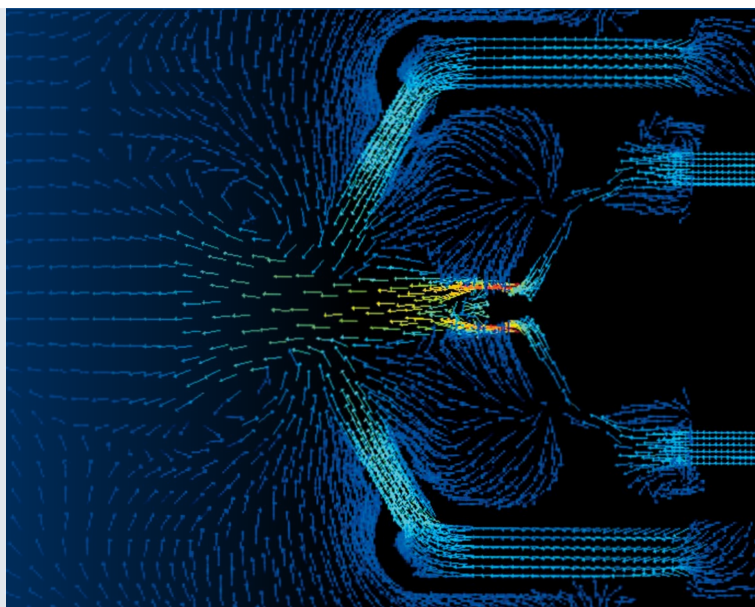
- Non-metallic materials available upon request, including: Polypropylene, PVDF, PTFE and more
- Plastics and elastomers available with FDA or USP Class VI certificates
- GMP manufacturing procedures and fabrication



SPRAY TIP: STATE-OF-THE-ART SPRAY TESTING ENSURES SUPERIOR RESULTS

As part of our manufacturing process, our custom-welded solutions undergo rigorous testing and analysis to ensure superior results for our customers. Our sophisticated, in-house wet laboratory facilities enable us to collect and analyze complex data.

We will first work with you to develop a set of testing criteria which are relevant to your process parameters and application requirements. Once the data is collected, we are then able to generate a range of spray characterization data to allow us to determine the right solution for you. We are also able to perform wettability testing, certify calibrated flow testing, provide nozzle throw data and more per your process/acceptance requirements or requests.



BIOPHARMACEUTICAL PRECISION-DRILLED SPRAY BALLS

PRODUCT OVERVIEW

In addition to standard vessel cleaning products, we are able to provide completely customizable, precision-drilled, directionally-controlled spray ball solutions for your biopharmaceutical tank cleaning application.

DESIGN STAGE

First, a 3D solid model of your vessel, generated by our own experienced engineering group, is used to develop the directionally controlled orifice pattern to your exact specifications. The orifice pattern is then manufactured using CNC technology, ensuring that the orifice pattern is precise and repeatable.

FABRICATION STAGE

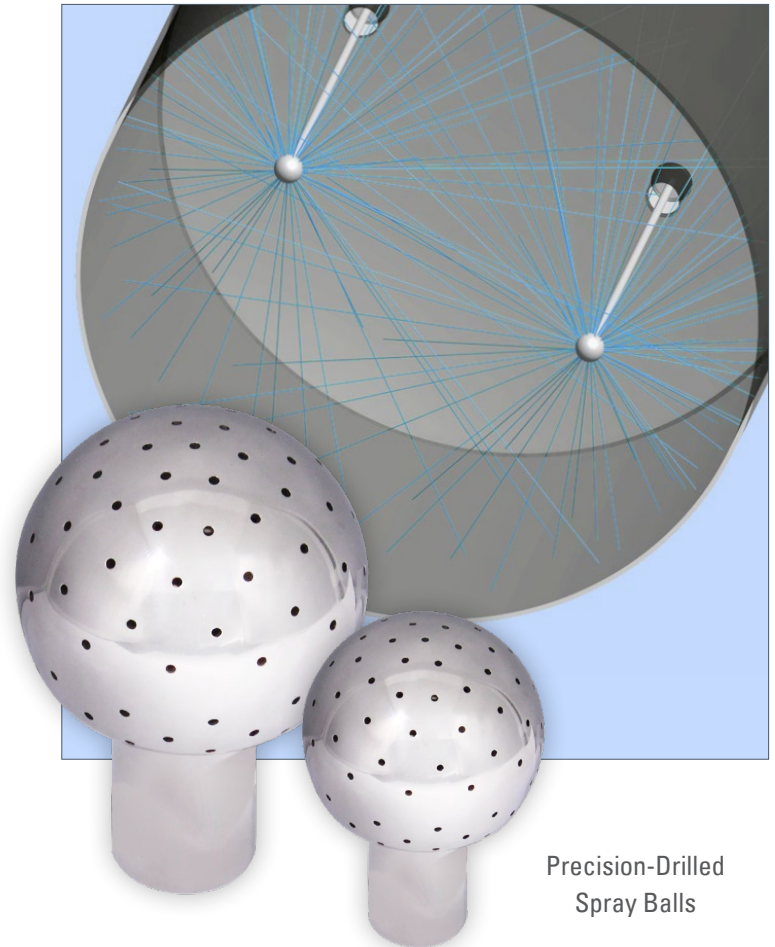
Next, our welding and manufacturing group fabricates the spray ball using procedures and welders in compliance with BPVC Sect. IX as required by ASME® BPE.

- Customer-specified surface finishes applied in-house and checked using profilometer (surface finish certification available)
- Experienced in fabricating and welding a broad range of exotic materials, including Hastelloy®, AL6XN®, and other high-nickel materials and coatings
- Any level of customer-defined positive material identification, destructive and non-destructive testing available

TURNOVER STAGE

Finally, we prepare either a standard or customer-defined turnover/data package to meet your process requirements, including (but not limited to):

- Welder/weld certification
- Material certification and material test reports (MTRs)
- Surface finish/electropolish certification
- GMP compliance



Precision-Drilled
Spray Balls

TANKJET® 63225-3A FIXED SPRAY BALLS

PRODUCT OVERVIEW

TankJet 63225-3A fixed spray balls are vessel cleaning nozzles ideal for sanitary rinsing and removal of light residues.

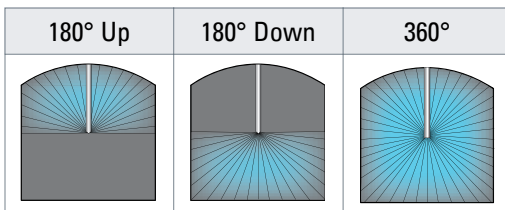
FEATURES AND BENEFITS

- Suitable for CIP – no moving parts
- Can be installed in any position
- Low-cost way to rinse easy-to-remove residues
- 316L stainless steel construction permits the use of a wide array of chemicals
- Polished 32Ra interior and exterior surface finish
- Custom drilling upon request
- Suitable for cleaning tanks up to 13' (4 m) in diameter



TankJet 63225-3A
Fixed Spray Balls

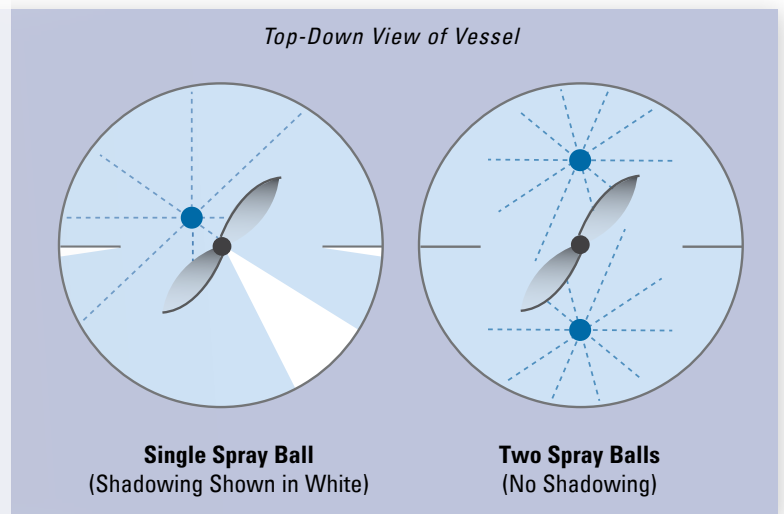
SPRAY COVERAGE



A = 180° Up, B = 180° Down, E = 360°

SPRAY TIP: ELIMINATE SHADOWING WITH MULTIPLE SPRAY NOZZLES

Obstructions in the vessel such as agitators or baffles can cause "shadowing" – areas where the spray cannot reach – greatly reducing the cleaning efficacy of a single spray ball. In these cases, two or more nozzles may be required to effectively clean the entire vessel.



DIMENSIONS – TANKJET® 63225-3A FIXED SPRAY BALLS

	Nozzle Type/Size	Inlet Tube Size A	Ball dia. B in. (mm)	C in. (mm)	D in. (mm)	E in. (mm)	Pin dia. F in. (mm)
	63225E-.75-1.5-40-3A	0.75"	1-1/2 (38.1)	2-17/32 (64.3)	3/8 (9.5)	1/4 (6.4)	9/64 (3.6)
	63225E-A-2-40-3A	1"	2 (50.8)	3-5/16 (84.1)	3/8 (9.5)	3/8 (9.5)	9/64 (3.6)
	63225A-1.5-2.5-40-3A	1.5"	2-1/2 (63.5)	4-1/4 (108)	1/4 (6.4)	3/4 (19.1)	13/64 (5.2)

PERFORMANCE DATA

Nozzle Type/Size	Capacity gpm (l/min)			Max. Tank Dia. ft. (m)
	15 psi (1.0 bar)	25 psi (1.7 bar)	40 psi (3.0 bar)	
63225E-.75-1.5-40-3A	31 (115)	40 (151)	51 (192)	10 (3.0)
63225E-A-2-40-3A	31 (115)	40 (151)	51 (192)	13 (4.0)
63225A-1.5-2.5-40-3A	31 (115)	40 (151)	51 (192)	13 (4.0)

ORDERING INFORMATION – TANKJET® 63225-3A FIXED SPRAY BALLS

To order, specify nozzle and coverage type, inlet tube size, ball diameter, and capacity.

Example

Nozzle Type	Coverage Type	Inlet Tube Size	Ball Dia.	Capacity Size	3A (Optional)
-------------	---------------	-----------------	-----------	---------------	---------------

63225 E – 0.75 1.5 – 40 – 3A

**TANKJET® 30473 FLUID-DRIVEN
ROTARY NOZZLES**

PRODUCT OVERVIEW

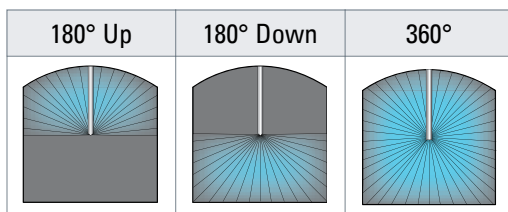
30473 Mini-Spinner Nozzles are cost-effective, fluid-driven rotary nozzles designed to effectively clean and rinse small vessels for pharmaceutical and biopharmaceutical applications.

FEATURES AND BENEFITS

- Effective cleaning and rinsing of tanks up to 3' (0.91 m) in diameter
- For low flow/pressure applications
- Self-lubricated with cleaning fluid and self-draining
- Rotating spray head can be easily removed for inspection and maintenance
- USP Class VI components are manufactured using material stock produced with USP Class VI resins; available with USP Class VI Viton O-ring
- Data package includes material test reports for 316L stainless materials

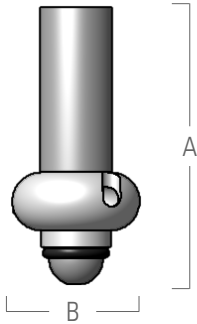


SPRAY COVERAGE



A = 180° Up, B = 180° Down, E = 360°

DIMENSIONS – TANKJET® 30473 FLUID-DRIVEN ROTARY NOZZLES

	Nozzle No.	A	B Dia.	Weight
	30473-1/4-TEF	1.75 in (44.4 mm)	.87 in (22 mm)	0.5 oz
	30473-3/8-316STF	1.90 in (48.3 mm)	.87 in (22 mm)	1.7 oz
	30473-BW	1.90 in (48.3 mm)	.87 in (22 mm)	1.0 oz

PERFORMANCE DATA

Capacity gpm					Capacity l/min				
10 psi	20 psi	30 psi	40 psi	50 psi	0.7 bar	1.5 bar	2.0 bar	3.0 bar	3.4 bar
2.1	2.9	3.5	4.0	4.5	7.8	11.3	13.0	15.0	17.0

ORDERING INFORMATION – TANKJET® 30473 FLUID-DRIVEN ROTARY NOZZLES

To order, specify nozzle type, spray pattern, inlet connection, and material code (see configuration options).

Example

Inlet Type*	Nozzle Type	Spray Coverage	Conn. Type	Material Code
—	30473	B	BW	SSTEF6

*Add B for BSPT connections, leave blank for NPT connections

CONFIGURATION OPTIONS

Non-Metallic	TEF (TEFLON) or TEFUSP (USP Class VI TEFLON)
Metallic/ Non-Metallic	316STF (316SS / TEFLON) or SSTEF6 (316L / USP Class VI Teflon)

Material Code
TEF= TEFLON®
TEFUSP= USP Class VI TEFLON®
316SS= 316 stainless steel
316L= 316L stainless steel

TANKJET® 28500 FLUID-DRIVEN ROTARY NOZZLES

PRODUCT OVERVIEW

TankJet 28500 fluid-driven tank cleaning nozzles are constructed of durable, non-metallic materials and are ideal for use in CIP systems as well as other sanitary vessel cleaning applications.

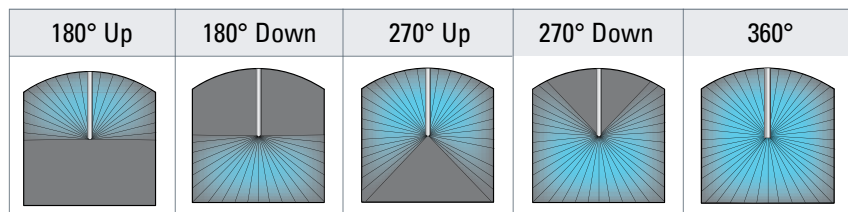
FEATURES AND BENEFITS

- Ideal for cleaning tanks, vessels and containers up to 18' (5.5 m) in diameter
- Threadless and tapered design promotes self-draining to prevent nozzle build-up
- Conforms to 3A sanitary standard 78-01 for spray cleaning devices to remain in place
- 28500R has a rotating spray head that can be removed from the body for inspection and maintenance
- Materials of construction meet FDA 21CFR177.1550 and 3-A Standard 20



TankJet 28500
Fluid-Driven Rotary Nozzles

SPRAY COVERAGE



A = 180° Up, B = 180° Down, C = 270° Up, D = 270° Down, E = 360°

DIMENSIONS — TANKJET® 28500 FLUID-DRIVEN ROTARY NOZZLES

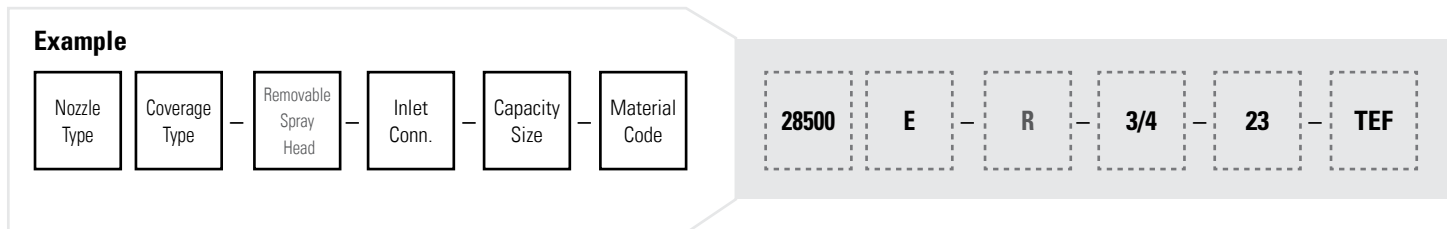
	Nozzle Inlet ID	Inlet Dia.	X Dia.	Y	Z
	3/4"-8	.76"	1.94 (49.3)	2.50 (63.5)	0.375 (9.5)
	3/4"	.76"	2.25 (57.2)	2.625 (66.6)	0.375 (9.5)
	DN20	22.2 mm	2.25 (57.2)	2.625 (66.6)	0.375 (9.5)
	1"	1.02"	2.75 (69.8)	2.875 (73.0)	0.5 (12.7)
	DN25	28.2 mm	2.75 (69.8)	2.875 (73.0)	0.5 (12.7)
	1-1/2"	1.52"	3.625 (92.0)	3.625 (92.0)	0.75 (19.0)
	DN40	40.2 mm	3.625 (92.0)	3.625 (92.0)	0.75 (19.0)

PERFORMANCE DATA

Nozzle No.	Orifice Dia. in. (mm)	Capacity gpm (l/min)				
		10 psi (0.7 bar)	20 psi (1.5 bar)	30 psi (2 bar)	40 psi (3 bar)	50 psi (3.5 bar)
28500 (A - E)-3/4-8-TEF	0.093 (2.4)	4.0 (15.1)	5.7 (21.6)	6.9 (26.1)	8.0 (30.3)	8.9 (33.7)
28500 (A - E)-3/4-18-TEF	0.089 (2.3)	9.0 (34.0)	12.7 (50.0)	15.6 (58.0)	18.0 (71.0)	20.1 (77)
28500 (A - E)-DN20-18-TEF	0.089 (2.3)	9.0 (34.0)	12.7 (50.0)	15.6 (58.0)	18.0 (71.0)	20.1 (77)
28500 (A - E)-3/4-23-TEF	0.110 (2.8)	11.5 (44.0)	16.3 (60.0)	19.9 (74.0)	23.0 (91.0)	26.0 (99.0)
28500 (A - E)-DN20-23-TEF	0.110 (2.8)	11.5 (44.0)	16.3 (60.0)	19.9 (74.0)	23.0 (91.0)	26.0 (99.0)
28500 (A - E)-3/4-32-TEF	0.154 (3.9)	16.0 (61.0)	22.6 (89.0)	27.7 (103.0)	32.0 (126.0)	35.8 (136.0)
28500 (A - E)-DN20-32-TEF	0.154 (3.9)	16.0 (61.0)	22.6 (89.0)	27.7 (103.0)	32.0 (126.0)	35.8 (136.0)
28500 (A - E)-3/4-46-TEF	0.257 (6.5)	23.0 (88.0)	32.5 (128.0)	39.8 (148.0)	46.0 (181.0)	51.4 (196.0)
28500 (A - E)-DN20-46-TEF	0.257 (6.5)	23.0 (88.0)	32.5 (128.0)	39.8 (148.0)	46.0 (181.0)	51.4 (196.0)
28500 (A - E)-1-33-TEF	0.152 (3.9)	16.5 (63.0)	23.0 (92.0)	29.0 (106.0)	33.0 (131.0)	37.0 (141.0)
28500 (A - E)-DN25-33-TEF	0.152 (3.9)	16.5 (63.0)	23.0 (92.0)	29.0 (106.0)	33.0 (131.0)	37.0 (141.0)
28500 (A - E)-1-50-TEF	0.209 (5.3)	25.0 (95.0)	35.4 (140.0)	43.3 (161.0)	50.0 (197.0)	55.9 (213.0)
28500 (A - E)-DN25-50-TEF	0.209 (5.3)	25.0 (95.0)	35.4 (140.0)	43.3 (161.0)	50.0 (197.0)	55.9 (213.0)
28500 (A - E)-1-70-TEF	0.266 (6.8)	35.0 (133.0)	49.5 (195.0)	60.6 (226.0)	70.0 (276.0)	78.3 (298.0)
28500 (A - E)-DN25-70-TEF	0.266 (6.8)	35.0 (133.0)	49.5 (195.0)	60.6 (226.0)	70.0 (276.0)	78.3 (298.0)
28500 (A - E)-1-1/2-53-TEF	0.201 (5.1)	27.0 (101.0)	37.0 (148.0)	46.0 (171.0)	53.0 (209.0)	59.0 (226.0)
28500 (A - E)-DN40-53-TEF	0.201 (5.1)	27.0 (101.0)	37.0 (148.0)	46.0 (171.0)	53.0 (209.0)	59.0 (226.0)
28500 (A - E)-1-1/2-70-TEF	0.266 (6.8)	35.0 (132.0)	49.0 (185.0)	61.0 (231.0)	70.0 (265.0)	78.0 (295.0)
28500 (A - E)-DN40-70-TEF	0.266 (6.8)	35.0 (132.0)	49.0 (185.0)	61.0 (231.0)	70.0 (265.0)	78.0 (295.0)

ORDERING INFORMATION — TANKJET® 28500 FLUID-DRIVEN ROTARY NOZZLES

To order, specify nozzle and coverage type, R for removable spray head (optional), inlet connection, and capacity size.



INTEGRATED LANCES AVAILABLE

The 28500 is also available as an integrated PTFE wand for CIP applications.



REVOJET® FLUID-DRIVEN ROTARY NOZZLE

PRODUCT OVERVIEW

RevoJet® rotary vessel cleaning nozzles provide high-impact, low volume cleaning of large vessels and reactors with difficult-to-remove residues.

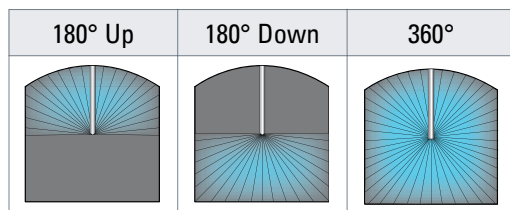
FEATURES AND BENEFITS

- Liquid-driven rotary nozzle device uses proprietary internal turbine geometry to ensure consistent rotation
- Eight capacity sizes to match performance to vessel size
- Available in NPT and BSPT, can be quoted with slip-joint connection
- Materials of construction: 316SS with PEEK bearings
- #300 electropolished exterior surfaces



RevoJet Fluid-Driven Rotary Nozzle

SPRAY COVERAGE




A = 180° Up, B = 180° Down, E = 360°

SPRAY TIP: CHOOSE FROM EIGHT DIFFERENT SIZES TO SUIT ANY APPLICATION

Available in eight different capacity sizes and three spray patterns, the RevoJet fluid-driven rotary nozzle is a versatile solution for many different hygienic vessel cleaning and CIP applications.



DIMENSIONS — REVOJET® FLUID-DRIVEN ROTARY NOZZLES

	Nozzle Number/ Capacity Size	Pipe Conn. in. (mm)	A in. (mm)	B in. (mm)
	ECRV-316SS1.7	.125 (3.2)	.63 (16)	1.50 (38)
	ECRV-316SS2.9	.125 (3.2)	.79 (20)	2.09 (53)
	ECRV-316SS4.5	.25 (6.4)	.98 (25)	2.68 (68)
	ECRV-316SS6.9	.375 (9.5)	1.18 (30)	3.82 (97)
	ECRV-316SS9.2	.375 (9.5)	1.18 (30)	4.53 (115)
	ECRV-316SS15	.5 (12.7)	1.63 (41.5)	4.84 (123)
	ECRV-316SS32	.75 (19.1)	2.36 (60)	5.47 (139)
	ECRV-316SS44	1.0 (25.4)	2.95 (75)	6.42 (163)

PERFORMANCE DATA

Pressure	GPM (LPM)							
	Capacity 1.7	Capacity 2.9	Capacity 4.5	Capacity 6.9	Capacity 9.2	Capacity 15	Capacity 32	Capacity 44
14.5 (1.0)	1.3 (4.9)	1.9 (7.5)	2.1 (8.0)	4.8 (18.0)	6.2 (23.5)	10.6 (40.0)	22.2 (84.0)	31.7 (120)
29.0 (2.0)	1.7 (6.5)	2.8 (10.5)	4.5 (17.2)	6.9 (26.0)	8.9 (34.0)	15.5 (58.5)	32.5 (123)	44.4 (168)
43.5 (3.0)	2.1 (8.0)	3.4 (13.0)	5.8 (22.0)	8.0 (30.5)	10.8 (41.0)	19.0 (72.0)	37.8 (143)	53.6 (203)
58.0 (4.0)	2.4 (9.0)	3.9 (15.0)	6.5 (25.0)	9.2 (35.0)	12.7 (48.0)	21.1 (80.0)	43.9 (166)	62.9 (238)
72.5 (5.0)	2.6 (10.0)	4.4 (16.5)	7.4 (28.0)	10.2 (38.5)	14.0 (53.0)	24.3 (92.0)	48.1 (182)	69.2 (262)
87.0 (6.0)	3.0 (11.5)	4.8 (18.0)	8.0 (30.5)	11.2 (42.5)	15.5 (58.5)	26.4 (100)	53.1 (202)	76.1 (288)
102 (7.0)	3.2 (12.0)	5.2 (19.5)	8.7 (33.0)	12.0 (44.5)	16.6 (63.0)	28.5 (108)	58.1 (220)	82.4 (312)
116 (8.0)	3.4 (13.0)	5.5 (21.0)	9.4 (35.5)	12.9 (49.0)	17.7 (67.0)	31.2 (118)	62.1 (235)	88.5 (335)
131 (9.0)	3.7 (14.0)	5.8 (22.0)	9.9 (37.5)	13.7 (52.0)	18.8 (71.0)	31.7 (120)	65.5 (248)	93.8 (355)
145 (10.0)	3.8 (14.5)	6.3 (24.0)	10.4 (39.5)	14.4 (54.5)	19.8 (75.0)	34.3 (130)	68.7 (260)	98.5 (373)

ORDERING INFORMATION — REVOJET® FLUID-DRIVEN ROTARY NOZZLES

To order, specify nozzle type, pinned or threaded connection, materials, spray coverage, and capacity.

Example

Blank=NPT B=BSPT	Nozzle Type	Conn. Type*	Material Code	Coverage Type	Capacity Size
---------------------	----------------	----------------	------------------	------------------	------------------

*Blank = threaded, P = pinned

— ECRV — P — 316SS — B — 4.5

TANKJET® 14 & TANKJET® 19 FLUID-DRIVEN ROTARY NOZZLES

PRODUCT OVERVIEW

TankJet 14 fluid-driven tank cleaning nozzles are dynamic, rotary devices which provide more efficient cleaning than comparable, static spray balls for tanks up to 12' (3.6m) in diameter.

TankJet 19 fluid-driven tank cleaning nozzles are dynamic, rotary devices with a slim, sleek design ideal for cleaning tanks with small openings or ports.

FEATURES AND BENEFITS

- Similar design and appearance to static spray balls; unit rotates to ensure effective impingement of cleaning solution on tank walls (TankJet 14 only)
- Solid stream pattern provides full coverage (TankJet 14 only)
- Spray head is easily removed for inspection and maintenance (TankJet 14 only)
- Fits in tank openings as small as 2" (51mm) with 7/8" (22mm) probe for even smaller openings (TankJet 19 only)
- Sleek design helps prevent residue buildup and simplifies maintenance (TankJet 19 only)
- Carefully drilled solid stream orifices are strategically placed to provide four different spray coverages (TankJet 19 only)
- Mount vertically, horizontally or at an angle (TankJet 19 only)
- Fluid-driven unit rotates at slow speeds – 3 to 15 rpm – for increased dwell time on tank surface compared to free-spinning units (TankJet 14 and 19)
- Suitable for CIP or portable installation (TankJet 14 and 19)
- Made of 316 stainless steel and PTFE materials (TankJet 14 and 19)

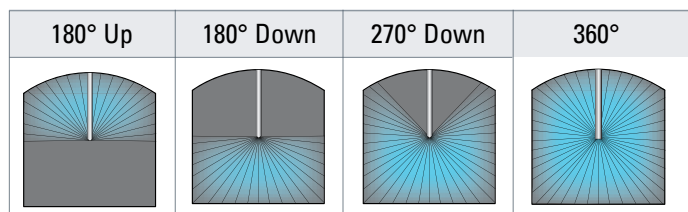


TankJet 14
Fluid-Driven Rotary Nozzle



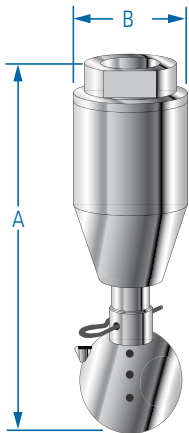
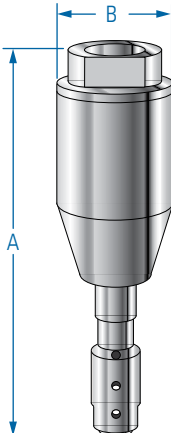
TankJet 19
Fluid-Driven Rotary Nozzle

SPRAY COVERAGE



A = 180° Up, B = 180° Down, D = 270° Down, E = 360°

DIMENSIONS – TANKJET® 14 & TANKJET® 19 FLUID-DRIVEN ROTARY NOZZLES

TankJet 14		TankJet 19		Nozzle Type	A in. (mm)	B in. (mm)
						
				TankJet 19	6.65 (169)	1.97 (50)

PERFORMANCE DATA

Model No.	Spray Coverage	Capacity gpm (l/min)								
		50 psi (3.4 bar)	70 psi (4.8 bar)	90 psi (6.2 bar)	100 psi (6.9 bar)	120 psi (8.3 bar)	140 psi (9.7 bar)	160 psi (11.0 bar)	180 psi (12.4 bar)	200 psi (13.8 bar)
TJ-14	D	13.0 (49.0)	16.0 (61.0)	18.0 (68.0)	19.5 (74.0)	21.0 (79.0)	23.0 (87.0)	25.0 (93.0)	27.0 (100)	28.0 (106)
	A, B	16.0 (61.0)	18.5 (70.0)	21.0 (79.0)	23.0 (87.0)	24 (91.0)	26.0 (98.0)	28.0 (106)	30.0 (114)	32.0 (121)
	E	17.0 (64.0)	19.5 (74.0)	22.0 (83.0)	25.0 (93.0)	26.0 (98.0)	28.0 (104)	30.0 (112)	32.0 (121)	34.0 (129)
TJ-19	A	10.0 (38.0)	13.0 (49.0)	15.0 (57.0)	16.0 (61.0)	18.0 (68.0)	19.5 (74.0)	21.0 (79.0)	22.5 (85.0)	24.0 (91.0)
	B	12.0 (45.0)	14.0 (53.0)	16.5 (62.0)	17.5 (66.0)	19.0 (72.0)	21.0 (79.0)	22.5 (85.0)	24.0 (91.0)	26.0 (98.0)
	D	16.0 (61.0)	18.0 (68.0)	20.0 (76.0)	21.0 (79.0)	22.5 (85.0)	24.0 (91.0)	26.0 (98.0)	27.5 (104)	28.5 (108)
	E	17.0 (64.0)	19.0 (72.0)	21.0 (79.0)	22.0 (83.0)	24.0 (91.0)	25.5 (97.0)	27.5 (104)	29.0 (110)	30.0 (114)

ORDERING INFORMATION – TANKJET® 14 & TANKJET® 19 FLUID-DRIVEN ROTARY NOZZLES

To order, specify model number, inlet connection type and spray coverage.

Example

Model Number	–	Inlet Type*	–	Coverage Type
TJ14	–	—	–	E

TANKJET® D41800E REGULATED FLUID-DRIVEN ROTARY NOZZLE

PRODUCT OVERVIEW

The TankJet D41800E is a regulated, liquid-driven rotary nozzle. Its hygienic three-piece design uses patented, self-flushing liquid hydraulic bearings, eliminating the need for traditional bearings with races and reducing the downtime required for cleaning and maintenance.

FEATURES AND BENEFITS

- Cleans, rinses and sanitizes medium-size tanks up to 12' (3.7 m) in diameter
- Material of construction is 316L, clip material is 316SS
- Operating pressure range: 30 psi (2 Bar) to 174 psi (12 Bar), maximum operating temperature: 300° F (150° C)
- Internal and external surface finish is 20µ in. Ra (0.5 micron) with electropolish
- Operates within a narrow speed range (2-30 rpm) over its entire operating pressure range
- The increase in impact of up to four times higher than a conventional rotating nozzle means cleaning efficiency is improved through minimized fluid consumption
- USP Class VI EPDM O-ring available



TankJet D41800E Regulated
Fluid-Driven Rotary Nozzle

SPRAY TIP: USE LARGER CAPACITY SIZES FOR HIGHER-IMPACT CLEANING IN CIP/WIP SYSTEMS

The MiniRokon™ regulated fluid-driven nozzle is available in four capacity sizes and is ideally suited for CIP/WIP applications with stringent cleaning requirements.



DIMENSIONS — TANKJET® D41800E FLUID-DRIVEN ROTARY NOZZLES

	Nozzle Type	Inlet Conn.	A in. (mm)	B dia. in. (mm)	C dia. in. (mm)	D dia. in. (mm)	Weight lbs. (kg)
	D41800E	0.75"	3.22 (81.8)	1-3/16 (30.0)	0.85 (22.0)	0.94 (2.4)	0.28 (0.13)
		DN19	3-7/32 (82.0)	1-3/16 (30.0)	27/32 (21.0)	.094 (2.4)	0.29 (0.13)

PERFORMANCE DATA

Capacity Size	Capacity gpm (l/min)				
	30 psi (2 bar)	40 psi (3 bar)	100 psi (5 bar)	150 psi (10 bar)	230 psi (16 bar)
3.2	2.9 (10.8)	3.5 (14.0)	5.3 (17.0)	6.5 (24.0)	7.9 (30.0)
4.5	4.0 (15.1)	4.8 (19.0)	7.5 (24.0)	9.1 (34.0)	11.3 (43.0)
9.9	8.8 (33.2)	10.1 (40.0)	16.1 (52.0)	19.7 (73.0)	24.0 (93.0)
13.6	12.1 (45.7)	14.0 (55.0)	22.0 (71.0)	27.0 (101.0)	34.0 (128.0)

ORDERING INFORMATION — TANKJET® D41800E FLUID-DRIVEN ROTARY NOZZLES

To order, specify nozzle type, inlet connection, and capacity.

Example

Nozzle Type	Material Code	Capacity Size	Conn. Type	O-Ring
-------------	---------------	---------------	------------	--------

D41800 -
 316L -
 9.9 -
 SJ -
 FDA

DATA PACKAGE AVAILABLE

We are able to supply the following documentation as part of a data package:

- Material test reports in conformance with EN10204 Type 3.1
- Certificates of conformance for surface finish and electropolish
- Certificate of conformance for FDA EPDM O-Ring

Material Code
316L= 316L stainless steel



SPECIALTY NOZZLES

	PAGE
AccuJet® Electrostatic Spray Systems	73
AccuJet® Ultrasonic Spray Systems	74
GunJet® Spray Guns	78
WindJet® Air Nozzles	79

ACCUJET® ELECTROSTATIC SINGLE POINT SHUT-OFF SPRAY SYSTEM

PRODUCT OVERVIEW

The patented single-point shutoff nozzle delivers a single stream of fine droplets to a target with flow rates as low as .01 cc/min. With the needle controlled shutoff system, accurate starts and stops can be achieved. The nozzle can be easily disassembled for cleaning and maintenance. Nozzle is capable of reaching temperatures up to 250° F (121° C).

FEATURES AND BENEFITS

- Intermittent spray control
- Precise application rates
- Reduced fluid consumption

OPERATING PRINCIPLES

In electrostatic spraying, a negatively charged liquid coating is attracted to a neutral, grounded target. The physical attraction of the liquid to the target pulls the coating to an object's surface, providing a very high transfer efficiency.

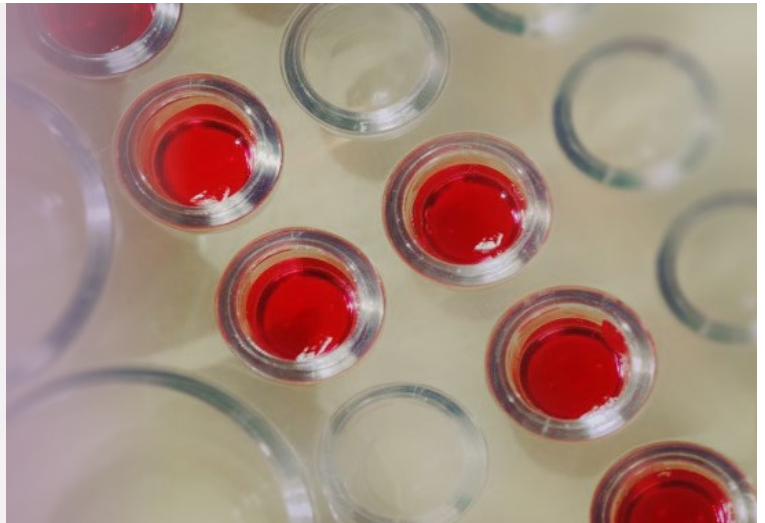


AccuJet Electrostatic
Spray Controller

AccuJet Electrostatic
Shut-off Spray Nozzle

SPRAY TIP: ELECTROSTATIC NOZZLES PROVIDE GREATER PRECISION FOR COATING MEDICAL DEVICES

The electrostatic nozzle is capable of producing very fine spray with high accuracy and minimal overspray. This makes it ideal for applying a very thin layer of coating material to a relatively small target area, such as the coating of assay trays, slides and other medical devices with anti-coagulants and other reagents for research or production purposes.



APPLICATIONS

- Medical Device Coating
- Stent Coating

ACCUJET® ULTRASONIC SPRAY SYSTEMS

PRODUCT OVERVIEW

The patented AccuJet® Ultrasonic Nozzle is designed to optimize spray coverage by atomizing fluids using ultrasonic vibration. The unpressurized, low-velocity spray gently settles on a target's surface unlike high liquid pressure or air pressure nozzles that create sprays which bounce off of the target. Sprays can be shaped to meet your process requirements.

FEATURES AND BENEFITS – ULTRASONIC ATOMIZING NOZZLE

- Patented nanotechnology produces superior accuracy in spray pattern formation
- Precise air-assisted round or flat spray pattern optimizes coverage and allows adjustment of drop velocity independently from atomization
- New cooling technology

ULTRASONIC SPRAY CONTROLLER

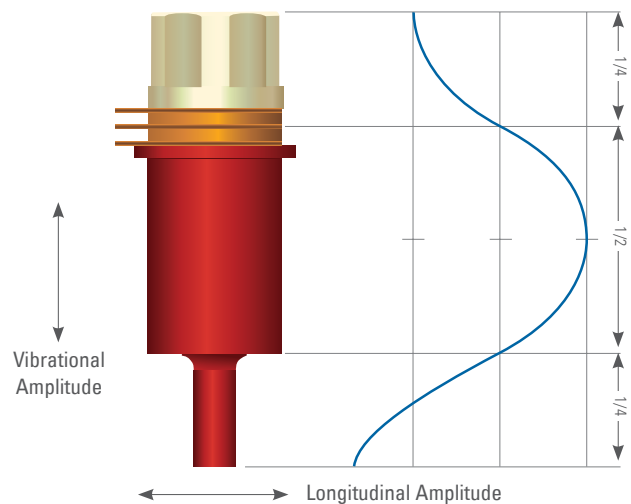
- Control up to three Ultrasonic nozzles with a single controller
- Adjustable voltage, remote control/monitoring via 15 pin I/O connector
- Dimensions: 10" width x 5" height x 8" depth (254 mm x 127 mm x 203.2 mm)

OPERATING PRINCIPLES

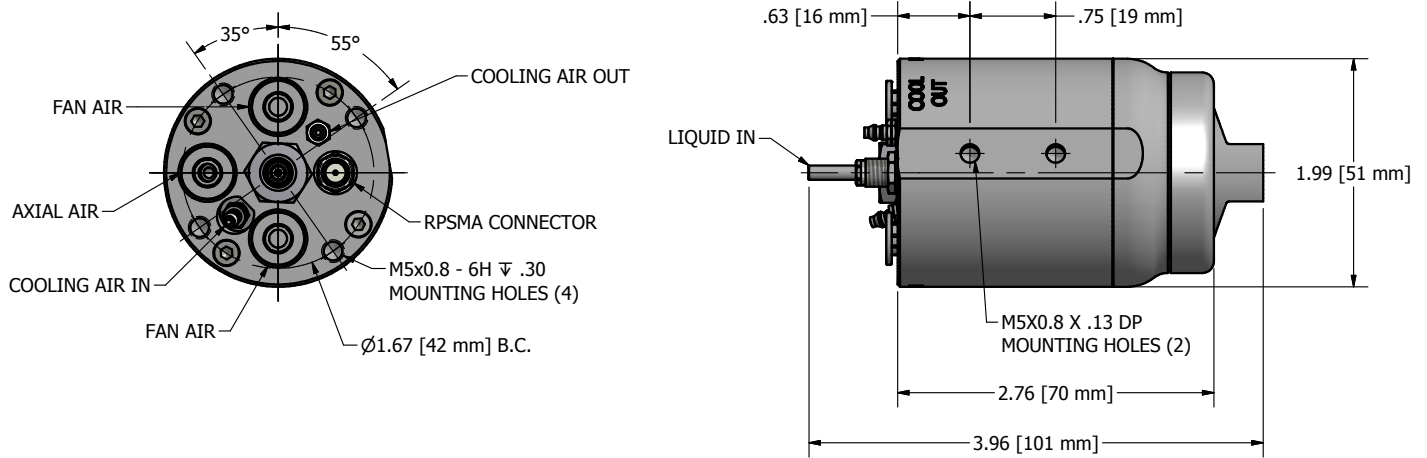
Ultrasonic nozzles use very high-frequency vibration instead of high pressure or compressed air to produce extremely small and uniform droplets. Capillary waves are produced on the surface of a liquid on a vibrating surface. During atomization, capillary waves are transformed into droplets by increasing the amplitude until the peak of the wave forms droplets. The wavelength and, subsequently the droplet size, are determined by vibration frequency. High vibration frequency generates fine droplets and low vibration frequency generates coarse droplets.

APPLICATIONS

- High-Precision Coating
- Spray Drying
- Humidification



DIMENSIONS – ACCUJET ULTRASONIC SPRAY SYSTEMS



PERFORMANCE DATA

Air Cap	Water Flow (ml / min.)	Axial Air Pressure (PSI)	Fan Air (PSI)	Fan Air Flow (SCFM)	Drop Size (Microns)					RSF**
					Dv0.1	Dv0.5	Dv0.9	Dv0.99	Dv32	
ACUSN-501- 316SS (.031" / 0.8 mm Offset Orifice)	0.3	0.3	0	0	15	28	44	58	24	1.0
		0.3	1.0	1.30	14	26	40	52	23	1.0
		0.3	1.5	1.59	14	26	41	52	23	1.1
		0.5	1.5	1.59	14	25	40	52	22	1.0
	1	0.3	0	0	17	35	62	105	30	1.3
		0.3	1.0	1.30	16	32	55	102	28	1.2
		0.5	1.5	1.59	16	31	54	100	27	1.2
		1.0	1.5	1.59	15	30	52	89	26	1.2
	5	0.3	0	0	26	55	102	144	46	1.4
		0.3	1.0	1.30	23	46	85	126	40	1.3
		0.5	1.5	1.59	22	44	84	126	38	1.4
		1.0	1.5	1.59	20	41	78	117	35	1.4
	10	0.3	0	0	41	82	125	167	66	1.0
		0.3	1.0	1.30	27	54	104	156	46	1.4
		0.5	1.5	1.59	26	53	105	156	45	1.5
		1.0	1.5	1.59	23	54	110	153	43	1.6
	15	0.3	0	0	47	85	128	172	73	1.0
		0.3	1.0	1.30	30	63	118	169	52	1.4
		0.5	1.5	1.59	28	59	116	166	49	1.5
		1.0	1.5	1.59	27	59	116	165	48	1.5

**RSF - Relative Span Factor = (Dv0.9 - Dv0.1) / Dv0.5.

PERFORMANCE DATA

Air Cap	Water Flow (ml / min.)	Axial Air Pressure (PSI)	Axial Air Flow (SCFM)	Drop Size (Microns)					RSF**	
				Dv0.1	Dv0.5	Dv0.9	Dv0.99	Dv32		
ACUSN-401- 316SS (.031" / 0.8 mm Offset Orifice)	0.3	0	0	15	30	49	69	26	1.1	
		0.2	0.24	15	28	44	58	24	1.1	
	1	0	0	22	37	63	92	34	1.1	
		0.2	0.24	21	37	60	90	33	1.1	
		2	0.68	18	33	56	86	29	1.2	
		5	1.12	17	32	54	82	28	1.2	
	5	0	0	37	75	117	148	58	1.1	
		0.2	0.24	30	58	104	146	50	1.3	
		2	0.68	23	47	90	140	38	1.4	
		5	1.12	20	41	85	134	36	1.6	
	10	0	0	44	86	133	175	72	1	
		0.2	0.24	40	82	127	171	67	1.1	
		2	0.68	25	52	106	158	44	1.6	
		5	1.12	22	47	100	148	39	1.7	
	15	0	0	46	93	146	195	77	1.1	
		0.2	0.24	42	82	132	174	73	1.1	
		2	0.68	27	59	118	173	49	1.6	
		5	1.12	23	50	107	157	42	1.7	
	ACUSN-402- 316SS (.031" / 0.8 mm Offset Orifice)	0.3	0.2	.23	15	29	45	61	25	1.0
		1	0	0	34	50	95	132	40	1.2
0.2			0.23	31	49	92	124	39	1.2	
2			0.61	26	42	65	91	39	0.9	
5			1.00	26	41	64	86	39	0.9	
5		0	0	37	75	116	148	59	1.1	
		0.2	0.23	35	64	102	140	54	1.0	
		2	0.61	34	55	83	109	51	0.9	
		5	1.00	32	49	76	107	47	0.9	
10		0	0	44	87	134	174	72	1.0	
		0.2	0.23	38	74	120	165	62	1.1	
		2	0.61	35	55	93	145	52	1.1	
		5	1.00	33	50	86	140	47	1.1	
15		0	0	44	87	139	181	72	1.1	
		0.2	0.23	42	83	132	176	69	1.1	
		2	0.61	36	57	107	174	54	1.2	
	5	1.00	34	52	97	161	47	1.2		

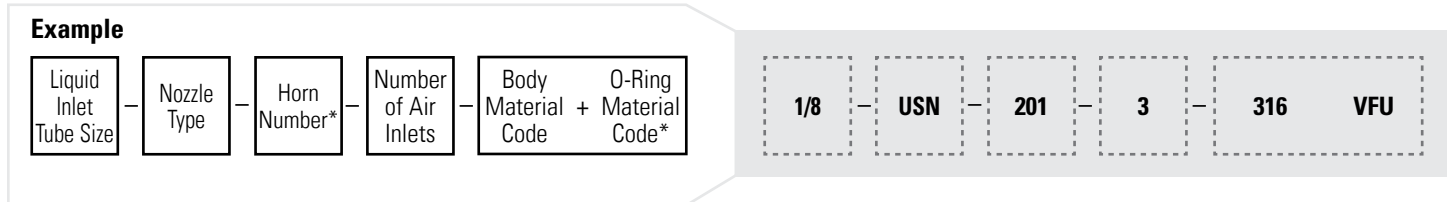
Cooling Air Pressure (PSI)	1	2	3	4	5	10	20	30
Flow (SCFM)	0.20	0.29	0.35	0.41	0.48	0.67	1.00	1.30

**RSF - Relative Span Factor = (Dv0.9 - Dv0.1) / Dv0.5.

ORDERING INFORMATION – ULTRASONIC SPRAY SYSTEMS

Ultrasonic Spray Nozzles are part of a complete Ultrasonic Spray system, including nozzle(s), air cap, controller, and cables. Reference the information below to help you complete your order.

ULTRASONIC ATOMIZING NOZZLE



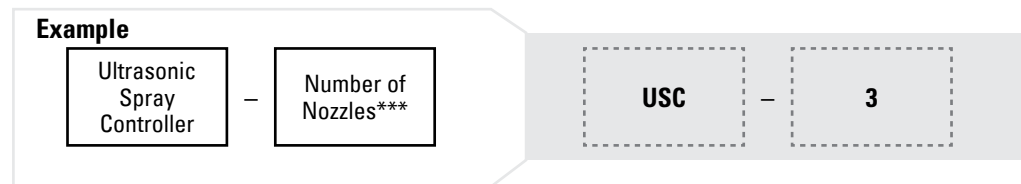
*For the Horn Number, use 201 for .031 orifice or 202 for .012 orifice. For the O-Ring Material Code, use EFU for white EPDM or VFU for blue Viton.

ULTRASONIC AIR CAP



**For the air cap number, use 401 for 30° full cone, 402 for 70° full cone or 501 for flat spray.

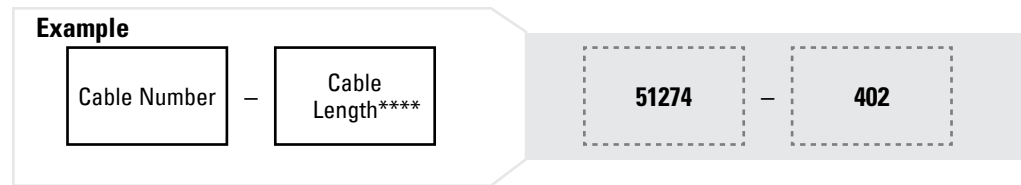
ULTRASONIC SPRAY CONTROLLER



***Ultrasonic Spray Controller is available in 1 and 3-nozzle versions only.

SMA CABLE

Note: Ultrasonic Spray Controller requires an SMA cable for operation. To order, specify cable number (51274) and length.



****For a 5 ft. (1.5 m) cable, use number 402. For a 10 ft. (3.0 m) cable, use number 403. For a 17 ft. (5.2 m) cable, use number 404. For a 20 ft. (6.1 m) cable, use number 405.

Material Code
316 = 316SS Stainless Steel
VFU = FDA VITON (blue)
EFU = FDA EPDM (white)

GUNJET® SPRAY GUNS

PRODUCT OVERVIEW

GunJet spray guns are the ideal choice for clean-up, rinsing and blow-off applications in many industries. Options range from a gentle spray to a high-impact solid stream.

FEATURES AND BENEFITS

- Interchangeable spray caps
- Adjustable spray patterns – solid stream to 50° hollow cone
- Corrosion resistant
- Available in aluminum



GunJet 60-21580

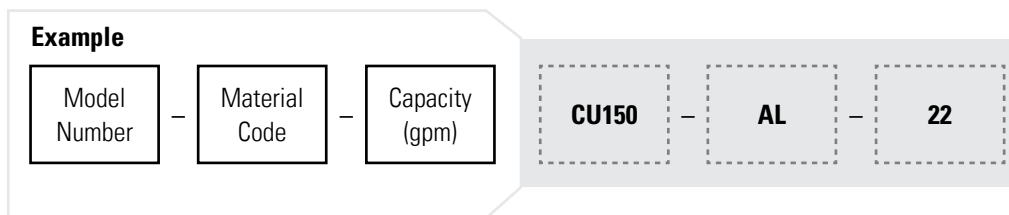
GunJet CU150

SPECIFICATIONS

Model	Pressure (psi)	Capacity (gpm)	Temp. °F (°C)	Inlet Conn.	Length	Width	Height	Weight
CU150	150	10-22	200 (93)	1/2" NPT or BSPT	6.5 in.	2.25 in.	6.5 in.	36 oz.
60-21580	250	16	300 (150)	3/8" NPT or BSPT	9.0625 in.	1.44 in.	6.5 in.	19.25 oz.

ORDERING INFORMATION

To order, specify model number, material code (AL for aluminum, blank for rubber) and capacity size.



APPLICATIONS

- Cleaning of Tablet Coating Pans
- Drying/Blow-Off
- Low-Pressure Cleaning
- Spot Application of Chemicals

WINDJET® AIR NOZZLES

PRODUCT OVERVIEW

WindJet air nozzles can help you improve performance, reduce noise and save on air costs in drying, cooling and coating applications.

FEATURES AND BENEFITS

- Generates a quiet, efficient, controlled flat fan distribution of compressed air
- Air stream is discharged through 16 precision orifices that ensure uniform distribution and spray pattern integrity
- Recessed orifices protect against external damage and provide an air escape should the nozzle accidentally be placed against a flat surface
- Convenient mounting hole ensures correct position on the header or manifold for fixed applications
- Available in stainless steel, ABS (acrylonitrile butadiene styrene) and PPS (polyphenylene sulfide) versions



WindJet AA707



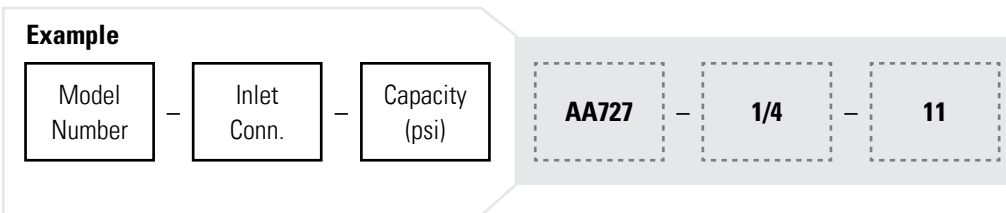
WindJet AA727

SPECIFICATIONS

Nozzle Type	Capacity Sizes	Inlet Conn.	Length	Width	Weight
AA727 (M)	11, 15, 23	1/4" (M)	3-9/16" (91 mm)	2" (51 mm)	4.1 oz. (0.12 kg)
AA727-F (F)	11, 15, 23	1/4" (F)	3-9/16" (91 mm)	2" (51 mm)	0.7 oz. (0.02 kg)
AA707 (M)	11, 15, 23	1/4" (M)	1-7/8" (91 mm)	1" (51 mm)	1.6 oz. (0.04 kg)

ORDERING INFORMATION

To order, specify model number, inlet connection and capacity size.



APPLICATIONS

- Dust and Particle Blow-Off
- Leveling Coatings
- General Drying
- Cooling





SOLID DOSAGE PROCESSING

	PAGE
Application Overview	81
Fluid Air, a Division of Spraying Systems	82
Fluid Bed Systems	83
High-Shear Granulators	87
Size-Reduction Systems	89
Electrostatic Spray Dry Systems	91
Tablet Coating Systems	93
Control Options and More	95



PERFECTING THE PROCESS

In the pharmaceutical industry, a solid dose is a dosage form, such as a tablet or capsule or powder which is ingested orally and generally consists of a mixture of active pharmaceutical ingredients (or APIs, the drugs being delivered) along with a combination of binders, fillers and other excipients designed to imbue the finished drug with specific characteristics. Processing methods for individual pharmaceutical drugs can vary widely depending on the type or types of drugs being manufactured, the dosage form (solid dosage vs. liquid) the intended route of administration, and the necessary duration of the API's release into the human body to achieve the pharmacological effects of the drug.

Two solid dosage forms, tablets and capsules, are among the most common drug dosage forms for consumers. Formulating the fill for capsules is generally easier than for tablets, but they are both manufactured using similar processes.

ONLINE RESOURCES

For more information on equipment for solid dosage processing, visit fluidairinc.com.





Experts in Solid Dosage Technology

A Division of *Spraying Systems Co.*®

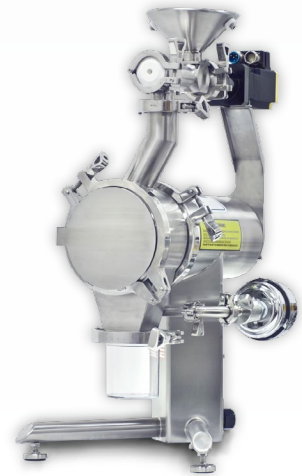
MAGNAFLO® Fluid Bed Systems



PHARMX® High-Shear Granulators



GRANUMILL® Size Reduction Systems



FLUID AIR, A DIVISION OF SPRAYING SYSTEMS CO.®

Fluid Air is a division of Spraying Systems Co. specializing in solid dosage processing equipment for the pharmaceutical industry, including fluid bed dryers/granulators, Wurster coaters, high-shear granulators, size reduction systems and process control software for batch-type equipment.

Available in a full range of sizes from R&D to production scale, Fluid Air systems are designed to provide superior performance and batch uniformity for solid dosage processing applications while maintaining important process parameters from one size system to the next, making it easy for users to predict scale-up results. Configurable with a wide variety of optional features, each system is completely customizable to fit your exact specifications and process requirements, ensuring the perfect fit—no matter how challenging the application.

ONLINE RESOURCES

For more information on Fluid Air systems, visit fluidairinc.com.

MAGNAFLO® & MAGNACOATER® FLUID BED SYSTEMS

PRODUCT OVERVIEW

MAGNAFLO fluid bed dryer/granulators and MAGNACOATER Wurster coaters are completely customizable fluid bed systems designed to provide superior performance for solid dosage processing applications from R&D to production scale.



R&D SCALE
MODELS 0002, 0005

R&D or laboratory-scale units provide effective drying, coating or granulation for small batches.



PILOT SCALE
Models 0010 - 0120

Pilot systems offer a wide range of options for processing larger batches intended for clinical trial or small-scale production.



PRODUCTION SCALE
MODELS 0300 - 1200

Production scale fluid bed systems for processing of very large batches (up to 1200 Liters).

FEATURES AND BENEFITS

- Tapered expansion chamber improves granulation and reduces process time
- Agitator rake in bowl bottom ensures bed homogeneity
- Conidur and Turboflo bed plates provide uniform air distribution
- Specific geometry maintains critical scale-up factors
- Adjustable “shutter” plate allows for precise, user-controlled coating (MAGNACOATER Only)

SPECIFICATIONS – MAGNAFLO® & MAGNACOATER® FLUID BED SYSTEMS

Model Number	0002	0005	0010	0020	0050	0120	0300	0500	0800	1000	1200
Standard bowl volume (L)	2.0	13	20	46	57	148	346	617	967	1205	1437
Max. granulating capacity (L)	2	5	10	34	51	133	311	555	870	1084	1293
Max. coating capacity (L)	1.8	6	10	31	46	124	193	477	720	n/a	n/a
Extended bowl volume (L)	*	*	*	n/a	72	207	482	860	1346	1645	1961
Reduced volume bowls (L)	0.5	2	2, 5	5, 10	5, 46	46, 72 57, 97	148	346, 148	n/a	n/a	n/a
System height (inches/mm)	72/ 1829	74/ 1880	80/ 2032	105/ 2667	130/ 3302	138/ 3505	160/ 4064	148/ 3670	174/ 4420	185/ 4699	192/ 4877
System width (inches/mm)	32/ 813	76/ 1930	78/ 1981	36/ 1981	48/ 1220	46/ 1168	72/ 1829	84/ 2134	96/ 2538	105/ 2667	114/ 2896

MAGNALIFT® BIN & BOWL ELEVATORS

PRODUCT OVERVIEW

MAGNALIFT bin and bowl elevators elevate, invert, or rotate to blend fluid bed bowls or bins for sanitary discharge into a tablet press, drum, or other process equipment. With options ranging from height, material use, movement, and more, each MAGNALIFT is fully customized to meet your specific process needs.

FEATURES AND BENEFITS

- Safe and robust construction
- GMP design for use in washdown environments
- Custom configured for each special application to meet loading and unloading requirements
- Pivoting or stationary posts with floor and ceiling or floor only support
- Inverting and/or lift only configurations
- Hydraulically driven for efficient movement, safety, and speed



MODEL 0002 FLUID BED SYSTEM WITH ULTRASONIC AIR ATOMIZING LANCE

PRODUCT OVERVIEW

The Model 0002 fluid bed system for R&D applications is now available with integrated ultrasonic spray technology for superior performance in fluid bed coating, granulation, fluid bed drying and spray drying.

FEATURES & BENEFITS – MODEL 0002 FLUID BED SYSTEM

- Conidur plates ensure uniform air distribution through the bed
- Unique Wurster plate design ensures proper flow of material
- Easy-to-use controls, adjustable touch screen and data logging
- Spraying Systems Co. nozzles provide superior spray distribution
- High-retention filter system reduces product waste
- Precise, in-process air flow and temperature controls for improved batch accuracy

ULTRASONIC AIR ATOMIZING LANCE

- Patent-pending design provides superior accuracy in spray pattern formation
- Gentle Wurster coating of fine particles 30 microns or smaller
- Ultra-fine Ultrasonic spray prevents agglomeration
- Adjustable shaping air pressure allows users to achieve the desired liquid droplet velocity
- Flow rates range from 0.5 cc/min to 10 cc/min



SPECIFICATIONS – MAGNAFLO® & MAGNACOATER® FLUID BED SYSTEMS

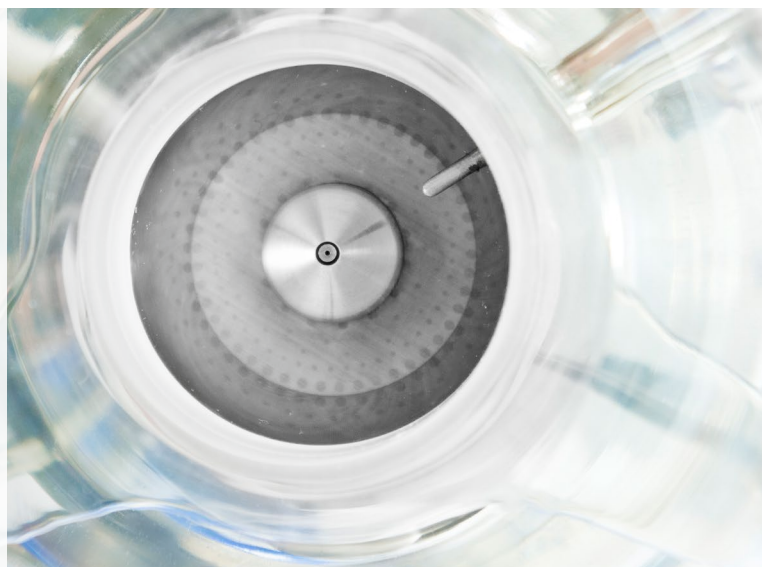
Ultrasonic bowl volume (L)	1/2
Ultrasonic bowl volume (mL)	72 / 1829
System width (inches / mm)	32 / 813

ULTRASONIC AIR ATOMIZING LANCE

Nozzle orifice diameter: 0.03" (0.762 mm)
Droplet size range: 10-90µm
1/8" NPTF connections (shaping/cooling air inlets and exhaust)
1/2" hygienic liquid inlet connection
316SS lance with titanium ultrasonic horn
Choice of FDA VITON or EPDM elastomers

SPRAY TIP: ACHIEVE MICRON-LEVEL COATING PRECISION WITH INTEGRATED ULTRASONIC TECHNOLOGY

Ultrasonic spray technology delivers the precise, uniform spray required for delicate, complex fluid bed coating processes— such as Wurster (fluid bed) coating— while providing a high level of control over the spray, allowing users to make fine adjustments on the fly. Fluid Air will work with you to integrate Ultrasonic spray technology into your customized fluid bed processor.



PHARMX[®] HIGH-SHEAR GRANULATORS

PRODUCT OVERVIEW

PHARMX high-shear granulators are fully customizable bottom-driven mixing systems engineered to provide homogeneous mixing and efficient granulation across a range of available R&D, pilot, and production size models.



R&D SCALE

PX1

R&D or laboratory-scale units provide effective high-shear granulation for small batches.



PILOT SCALE

PX25 - PX150

Pilot systems offer a wide range of options for processing larger batches intended for clinical trial or small-scale production.



PRODUCTION SCALE

PX250 - PX1250

Production scale systems for granulating very large batches (up to 1250 Liters).

FEATURES AND BENEFITS

- Optimized bowl geometry allows for efficient mixing at up to 90% capacity
- Hydraulic drive system
- Bottom-driven mixing impeller and high-speed chopper ensure uniform mixing
- One-pot processing models available (mixing/drying)
- Water jacketing, vacuum loading/drying and nitrogen inerting options

SPECIFICATIONS – PHARMX® HIGH-SHEAR GRANULATORS

Model Number	PX1	PX25	PX50	PX100	PX150	PX250	PX400	PX600	PX800	PX1000	PX1250
Total bowl volume (L)	1, 2, 4, 6, 8, 4	31	58	119	167	274	432	633	864	1050	1286
Charge- max. liters @ light bulk, 0.3 - 0.5	0.9 - 7.5	28	58	107	150	246	389	569	778	945	1157
Charge- min. liters	0.3 - 2.5	8	15	30	42	69	109	159	218	265	324
Impeller speed range (RPM)	5 - 1107	37 - 318	29 - 260	14 - 205	12 - 185	10 - 172	1 - 148	1 - 127	1 - 118	1 - 110	1 - 103
Impeller power (HP)	0.5 - 1	3	5	10	15	40	50	75	100	125	150
Chopper speed range (RPM)	1500 - 9750	500 - 4000	500 - 4000	500 - 4000	500 - 4000	500 - 4000	500 - 3000	500 - 3000	500 - 3000	500 - 3000	500 - 3000
Chopper power (HP)	0.25	1	2	5	7.5	10	15	20	25	30	40

SPRAY TIP: PROCESS HAZARDOUS COMPOUNDS SAFELY WITH INTERCHANGEABLE BOWLS

For processing potent compounds requiring total containment, we are able to provide customized interchangeable bowls. The bowls can be removed from the console and placed in a glove box / flexible containment structure without any dusting of product from the bowl. Charging and discharging from the mixer bowl is completely contained.



GRANUMILL® SIZE REDUCTION SYSTEMS**PRODUCT OVERVIEW**

GRANUMILL size reduction systems are wet and dry mill systems designed for precision particle size reduction and de-agglomeration applications, available in R&D, pilot, and production scale sizes.



R&D SCALE
GRANUMILL Jr.

R&D or laboratory-scale units provide effective size reduction or de-agglomeration for small batches.



PILOT SCALE
GRANUMILL 007

Pilot systems offer a range of options for larger batches intended for clinical trial or small-scale production.



PRODUCTION SCALE
GRANUMILL 014

Production scale systems for very large batches.

FEATURES AND BENEFITS

- Variable speed rotor allows for both high-speed fine grinding and low speed de-agglomeration
- Quick-release housing allows mill to be broken down in minutes for cleaning or inspection
- Robust rotor design available in three different shapes – square/flat, round, and knife
- Water jacketed housing available for temperature-sensitive products
- Quiet operation
- Multiple feed and discharge options available to suit your process



SPECIFICATIONS – GRANUMILL® SIZE REDUCTION SYSTEMS

Model Number	GRANUMILL Jr.*	GRANUMILL 007*	GRANUMILL 014*
Speed (RPM)	500 - 10000	500 - 5000	600 - 3600
Finished particle size mesh (micron)	10 - 400 (2000 - 27)	10 - 400 (2000 - 27)	10 - 400 (2000 - 27)
Throughput (lbs/kg)/hour	0.2 - 60 / 0.1 - 25	2 - 2250 / 1 - 1000	4 - 3860 / 2 - 1750
System Height (inches/mm)	25 - 635	80 / 2032	80 / 2032
System Width (inches/mm)	12 / 304	32 / 813	40 / 1016
System Length (inches/mm)	15 / 381	60 / 1524	68 / 1727
Screen Width (inches/mm)	4 / 102	7 / 178	14 / 356

SPRAY TIP: SAVE TIME AND MONEY WITH FLEXIBLE CONTAINMENT ENCLOSURES

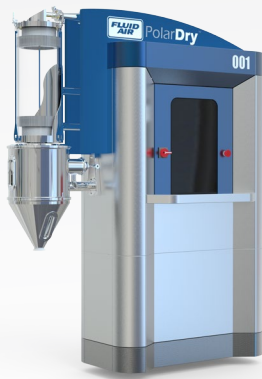
In cooperation with ILC-Dover, we are able to provide custom-designed, flexible containment systems for GRANUMILL Jr. size reduction systems. The flexible enclosure set-up allows for use in both containment and non-containment applications, eliminating the need to purchase a second machine solely for containment use.



POLARDRY™ ELECTROSTATIC SPRAY DRY SYSTEMS

PRODUCT OVERVIEW

The patent-pending PolarDry™ Electrostatic Spray Dryer utilizes revolutionary electrostatic technology, which drives water or solvent to the shell and active to the core, lowering the required evaporation temperature and eliminating active ingredient loss, degradation, or denaturalization. Harnessing the electrostatic effect, the dispersed active driven into the core is microencapsulated, virtually eliminating surface active, resulting in stunning encapsulation efficiency.



FEASIBILITY SCALE MODEL 001

A portable PLC controlled once-through design intended for a laboratory environment. This GMP designed machine is the best option for feasibility checks.



R&D SCALE Model 004

A semi-portable PLC controlled recirculating system for R&D Environments. This unit uses the same nozzle as Model 032 for easy scale-up. This model includes portable access stairs with a work platform.



PILOT SCALE MODELS 032 & 050+

Model 032 is a modular design, PLC controlled system for Pilot Environments. Choose from Batch Architect™ or Batch Architect Pro™ with CFR21 PART11 Compliant Data Logging to control this intermediate system. This model includes access stairs with a work platform.

FEATURES AND BENEFITS

- Low operating temperature allows for greater encapsulation efficiency for high-volatile components
- SAFE - Nitrogen Inerted
- Inner liner makes for easy clean-up/changeover
- Process products with low glass transition temperature (Tg)
- Recycled process gas with negligible emissions virtually eliminates regulatory issues
- The ability to agglomerate the powder as it is being dried

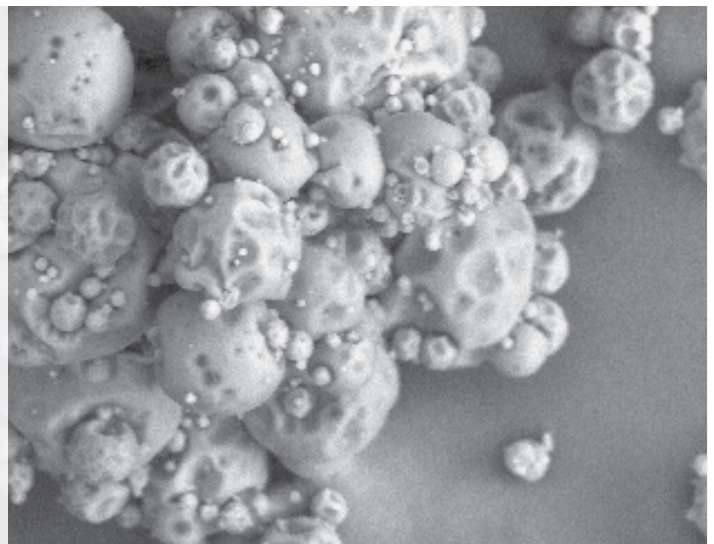
SPECIFICATIONS – POLARDRY™ ELECTROSTATIC SPRAY SYSTEMS

Model Number	001	004	032	050+
Nominal Evaporation Rate (kg/hr)	1	4	32	50
Minimum Drying Temperature (°C)	20*	10	10	10
Maximum Drying Temperature (°C)	140	140	140	140
Maximum Drying Gas Flow (m3/hr)	42	170	1020	1784
Maximum Atomizing Gas Flow (m3/hr)	10	17	68	120
Collection Volume (liters)	1	20	14**	20**
Drying Gas Heater	Electric	Electric	Electric	Indirect Gas
Gas Handling	Once Through	Recirculating	Recirculating	Recirculating
Feed Stock Pump	Yes	Yes	Yes	Yes
Nozzle Clog Monitoring	No	No	Yes	Yes
WIP Nozzles Included	Yes	Yes	Yes	Yes
Filter Systems	Patented Reverse Pulse Bag	Patented Reverse Pulse Bag	Reverse Pulse Cartridge	Reverse Pulse Cartridge
Controls	NEMA 4X	NEMA 4X	NEMA 4X	NEMA 4X
Controls Software	Batch Architect™	Batch Architect™	Batch Architect™***	Batch Architect™***

*Dependent on inlet gas supply temperature **Pneumatic or Cable Conveyor Available ***Batch Architect Pro™ Available for CFR21 Part 11 Compliance

SPRAY TIP: REDUCE POST-PROCESSING WITH CONTROLLED AGGLOMERATION

By controlling the voltage applied to the spray droplet as it is being atomized, some particles form an outer shell readily while others develop their shell gradually resulting in a wet or tacky particle. As these two types of particles collide, they bond forming an agglomerated particle. This results in a finished product with larger particles and fewer fines which flow freely.



TABCOATER® TABLET COATING OPTIMIZATION SYSTEM

PRODUCT OVERVIEW

Replacing a costly tablet coater or coating pan is not the only way to improve coating results. Designed to upgrade only the core components of your existing coater, the new TABCOATER system is a flexible solution for improving the performance of aging coating equipment.

PACKAGE FLEXIBILITY: CHOOSE COMPLETE SYSTEM OR INDIVIDUAL UPGRADES

The complete TABCOATER system consists of a manifold, spray nozzles, a fluid delivery skid, and process controls. Whether you're looking to change your entire coating system or just need to replace a worn out spray nozzle, Spraying Systems and Fluid Air will work with you to customize a solution that fits your requirements.

FEATURES & BENEFITS

MANIFOLD WITH VMAU SPRAY NOZZLES

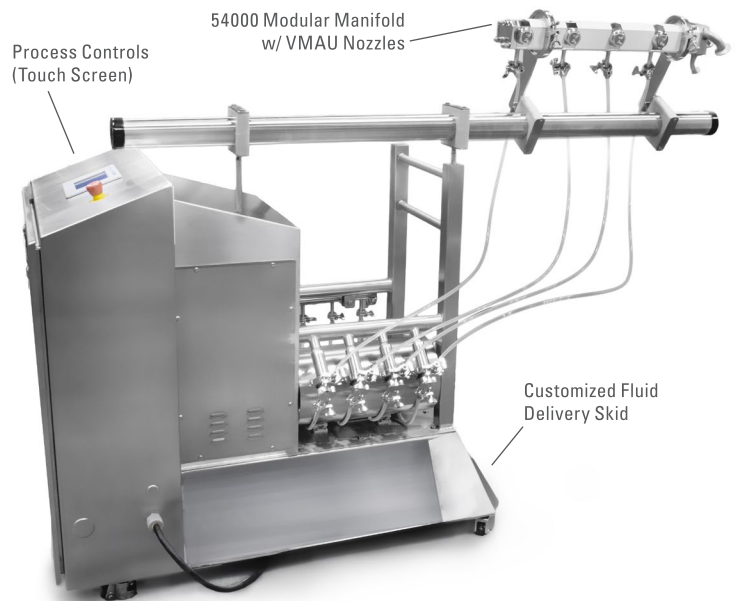
- Patent-pending internal recirculating guns
- Prevents tablet entrapment
- Anti-bearding nozzles reduce product build-up

BATCH ARCHITECT™ PROCESS CONTROLS

- Automates fluid delivery skid or entire pan operation
- Phase or recipe-based controls

CUSTOMIZED FLUID DELIVERY SKIDS

- Custom GMP design configured for process area
- Closed-loop solution/liquid delivery metering using loss-in-weight, mass flow sensing, and totalizing
- Precise, low-pulsation peristaltic pumps eliminate "dead-leg" liquid distribution
- Liquid flow shut-off with optional recirculation
- Nozzle liquid feed pressure sensors detect clogging
- Nozzle clearing circuit, line clearing and purge system
- Atomizing and fan air pressure control with flow

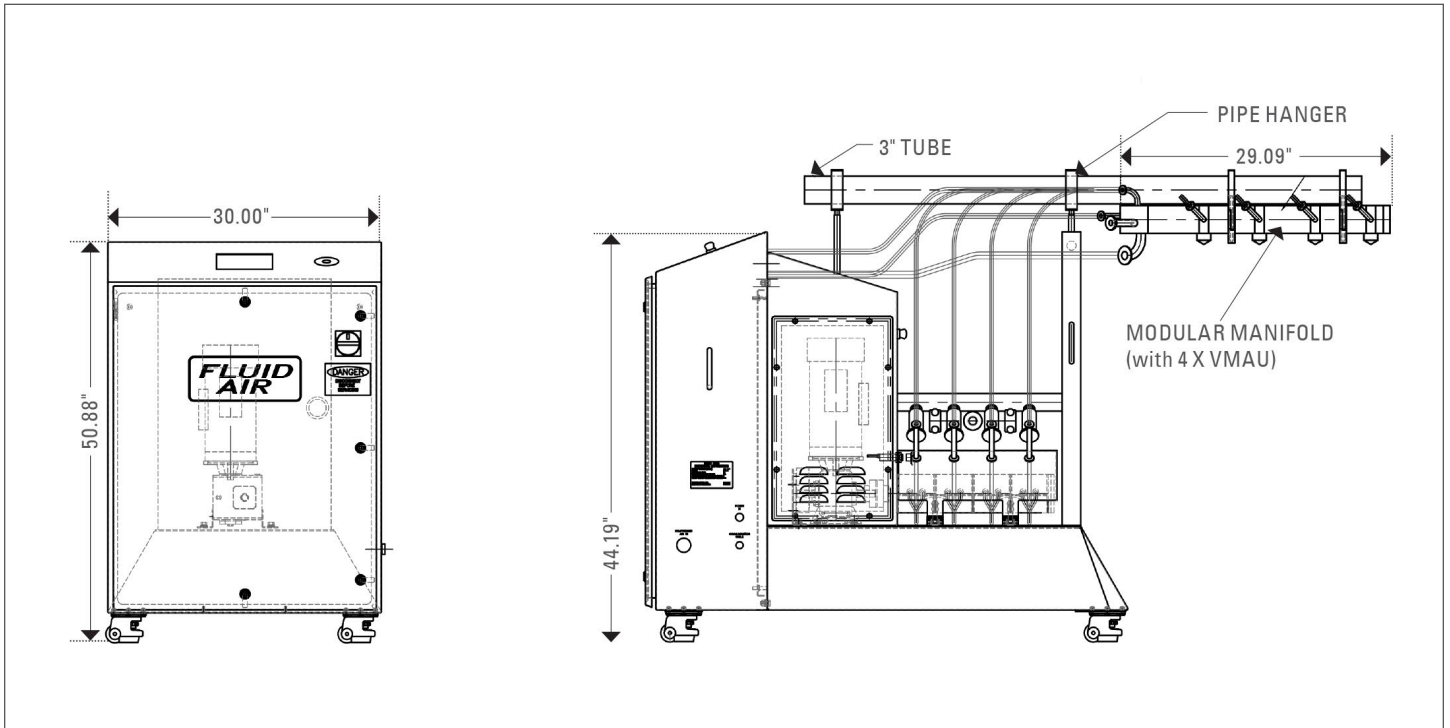


ONLINE RESOURCES

- ▶ Website Fluidairinc.com



DIMENSIONS – TABCOATER® TABLET COATING OPTIMIZATION SYSTEM



**SPRAY TIP: SAVE MONEY WITH
INDIVIDUAL UPGRADES**

The complete TABCOATER system consists of a manifold, spray nozzles, a fluid delivery skid, and process controls. Whether you're looking to change your entire coating system or just need to replace a worn out spray nozzle, Fluid Air will work with you to customize a solution that fits your requirements.

For more information on TABCOATER systems, visit fluidairinc.com.



BATCH ARCHITECT™ PROCESS CONTROL SOFTWARE

PRODUCT OVERVIEW

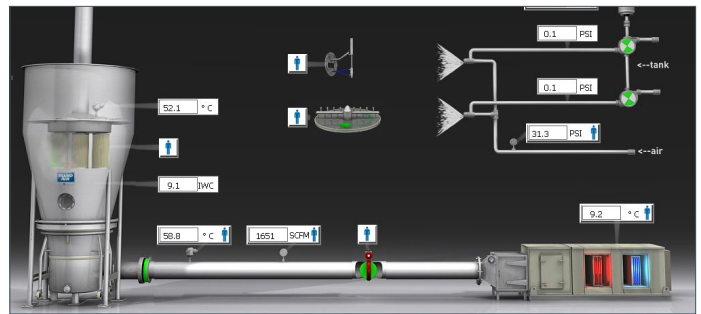
Fluid Air systems run on Batch Architect process control software, a flexible solution for controlling virtually any batch-type equipment. The easy-to-use software allows users to control complex pharmaceutical processing equipment with little to no training, and is available in either standard or Pro versions.

FEATURES AND BENEFITS

- Provides direct access to manual machine control and optional features for increased automation
- Equipped with a graphical user interface which provides current status information of critical machine functions through animation and text
- Runs on FactoryTalk® HMI platform and Allen-Bradley Logix™ series processors
- Recipe control feature allows batches to be easily created, stored, and reproduced
- 21 CFR Part 11 Capability (Pro Version Only)
- Offers convenient electronic batch record data logging and report creation services
- Increased product lifecycle through virtualization technology



Batch Architect™



Batch Architect™ Pro Status Screen

SPRAY TIP: REDUCE COSTS WITH SOFTWARE VIRTUALIZATION TECHNOLOGY

As software development teams move through the software development lifecycle and new software versions are created to improve the product, the use of “virtual machines” can now store a simple file containing the entire operating system configuration. Systems running on Batch Architect Pro can use these virtual machine files to save time and considerable cost during set-up, also reducing the need for spare legacy hardware.



RETROFIT SERVICES AND MORE

SERVICE OVERVIEW

In addition to new equipment, Fluid Air offers a range of services to make your used machines feel like new again. Update your process with the latest in spray technology, process controls, retrofit services and more provided by our global network of trained sales and support personnel.

FEATURES AND BENEFITS

- Upgrade almost any type and brand of pharmaceutical batch-type processing equipment
- Convert equipment to perform new functions, like fluid bed granulating or Wurster coating
- Add new features to existing equipment such as humidification, modern filter systems, solvent recovery systems and more
- Update your existing control system to robust, recipe-driven Batch Architect™ process control software



Model 0002 Fluid Bed



Tablet Coater Operating with Batch Architect™ Process Control Software

SPRAY TIP: REVITALIZE YOUR EXISTING EQUIPMENT WITHOUT REPLACING IT

Replace your worn or existing factory-supplied nozzles with new, state-of-the-art fluid bed nozzles from Spraying Systems Co. Intended to fit either new or existing Fluid Air fluid bed systems as well as competitor systems, our line of customizable nozzles and lances for Wurster coating and top-spray granulation are designed to help you get the most out of your machine.



APPENDIX

	PAGE
Accessories	95
Glossary	97
Terms and Conditions of Sale	99

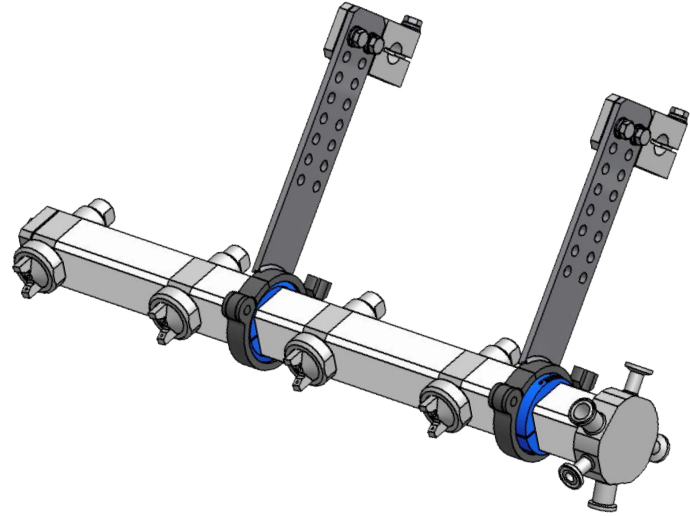


ACCESSORIES

**SANITARY MOUNTING CLAMP FOR
54000 MODULAR MANIFOLDS**

PRODUCT OVERVIEW

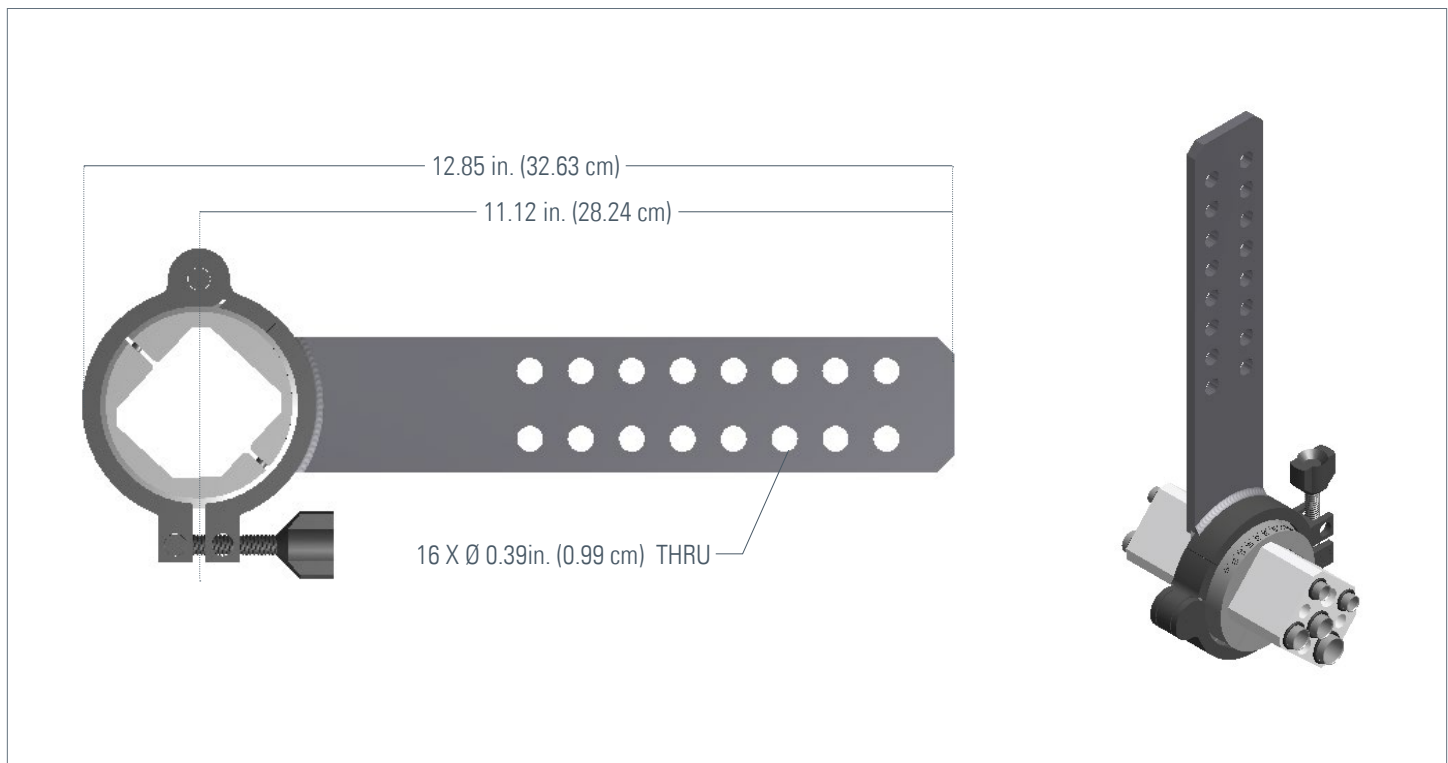
The patent-pending sanitary mounting clamp system for 54000 Modular Manifolds is a set of stationary clamps which attach to the spacer blocks of the manifold. The clamps stay in place, but allow the manifold to index a full 360° inside the coater without the need to reposition the entire manifold.



FEATURES AND BENEFITS

- Clamp can index a full 360°, permitting the manifold to be positioned exactly as needed
- Can be used for both 54000 and 54000LC manifolds
- Allows manifold to be positioned for optimal coating results

DIMENSIONS



ACCESSORIES

O-RING KITS, TUBE FITTINGS AND MORE

O-RING KITS

For our line of air atomizing/tablet coating products, we offer spare O-ring kits and more. Each O-ring kit consists of all of the different sizes of O-rings required for operation of the given product, eliminating the need for you to source and purchase larger-than-necessary quantities of multiple sizes of O-rings, saving time and money.

AVAILABLE KITS (FOR TABLET COATING PRODUCTS)

54200 VMAU Lab Coater Spray Nozzle	51460 JAUSF Spray Nozzle	54000 Modular Air Atomizing Manifolds	54000LC Modular Air Atomizing Manifolds	P-Series Anti-Bearding Spray Set-Ups
54200-300-VIFDA-KIT		54028-200-VIFDA-KIT (for Tube Holder Assemblies)	54028-700-VIFDA-KIT (for Tube Holder Assemblies)	
54200-300-EPRFDA-KIT	54008-700-VIFDA-KIT	54028-200-EPRFDA-KIT (for Tube Holder Assemblies)	54028-700-EPRFDA-KIT (for Tube Holder Assemblies)	52533-VIFDA-KIT
28945-007-316SS (Rod Mount Kit)	54008-700-EPRFDA-KIT	54008-700-VIFDA-KIT (for Needle Actuators)	54008-700-VIFDA-KIT (for Needle Actuators)	52533-EPRFDA-KIT
		54008-700-EPRFDA-KIT (for Needle Actuators)	54008-700-EPRFDA-KIT (for Needle Actuators)	

TUBE FITTINGS AND CONNECTIONS

In addition to O-Ring kits and other accessories, we also offer ferrule type and push-in tube fittings for all of our spray nozzles, lances, and modular manifolds to ensure that your installation and set-up is as simple as possible. Instead of sourcing the numerous components required to connect and install a system from multiple vendors, let us serve as your single-source supplier for all of your spray system needs.

For information on available fittings [contact us](#).

GLOSSARY

Active Coating- A coating that contains active ingredients (APIs).

API- Active Pharmaceutical Ingredient (see also **active coating**), or active - is the part of a pharmaceutical drug that is biologically active. This is the ingredient that triggers the desired pharmacological reaction in a patient's body. To formulate a dosage form (e.g., tablet) that could be efficiently produced and delivered to the body, some inactive ingredients (see also **excipient**) are often added to the formulation. Most commercial dosage forms typically consist of both API(s) and excipients.

ASME BPE- The American Society of Mechanical Engineers Bio Processing Equipment (ASME BPE) Standard standardizes specifications for the design, manufacture, installation, inspection and acceptance of equipment used in the pharmaceutical and biological products industries.

ASME BPVC Section IX- The American Society of Mechanical Engineers Boiler Pressure and Vessel Code Section IX defines welding procedures and how the procedures and welders are qualified.

Autogeneous Welding- A fusion welding process using heat without the addition of filler metal to join two pieces of the same metal.

Biopharmaceutical- A pharmaceutical derived from biological sources and especially one produced by biotechnology. A therapeutic product created through the genetic manipulation of living things, including (but not limited to) proteins and monoclonal antibodies, peptides, and other molecules that are not chemically synthesized along with gene therapies, cell therapies and engineered tissues.

Batch- The amount of product being processed at hand. Batches can be processed either individually (single batch) or continuously (continuous batch).

Batch Record- Documents prepared for each processed batch which include all ingredients, process details and equipment used to make the product. Manufacturers of regulated drug products are also required to prepare a master batch record. An approved master batch record is the source document for all individual batch records, which are prepared and executed each time a new batch of the given product is manufactured.

cGMP- Current Good Manufacturing Practices. Good Manufacturing Practice guidelines (GMPs) are published by the FDA and are used by pharmaceutical, medical device, and food manufacturers as they produce and test products that people use.

Change Control Record- A record which documents any changes made to the master batch record for the manufacture of a product. The change must be supported, documented and approved by management personnel responsible for the manufacture and release of the product to the public.

CIP- Clean-in-Place, equipment and techniques that allow process equipment to be cleaned without dismantling or manual cleaning.

Drug- A drug is a substance intended for use in the diagnosis, cure, treatment or prevention of a disease or to otherwise affect or modify the function or behavior of any part of the body.

Electropolishing- A method of importing brilliance to a surface by removing a thin surface layer. It is an electro-chemical process, sometimes called "super passivation," capable of improving surface finish by up to 50%.

Enteric Coating- A barrier applied to an oral medication that controls the location in the digestive system where it is absorbed. Enteric refers to the small intestine; enteric coatings are manufactured to prevent release of medication before reaching the small intestine.

Excipient- Generally a pharmacologically inactive substance used as a carrier (or enhancer, stabilizer, modifier, etc.) for the active ingredients of a medication. Some of the types of excipients may include anti-adherents, binders, coatings (those that do not contain "active drugs"), flavors, lubricants, preservatives, etc.

Formulation- A mixture of structures prepared according to a specific procedure (a "formula").

Full Penetration- Describes the type of weld wherein the weld metal extends through the complete thickness of the parts being joined.

Functional Coating- see **Modified Release Coating**.

HPC- Hydroxypropyl cellulose, a type of coating polymer.

HPMC- Hydroxypropyl methylcellulose, an early – and still commonly used – tablet coating material. In modern coating systems (formulations), additional substances are added to it as plasticizers, anti-tacking agents, etc., but it still remains a main component of many coatings. It is used in many complete coating systems, for instance Opadry® by Colorcon®.

Installation Qualification (IQ)- Documents which establish that the critical components of a system are installed correctly and in accordance with design documentation requirements (i.e. specifications, purchase orders, contracts, bid packages, etc).

Modified Release Coating- film coatings applied to the solid dose form (tablet, bead, capsule) to alter the release of APIs in a dosage form after it is ingested. The drug release characteristics of time, course, and/or location (in the GI tract) are chosen to accomplish therapeutic or convenience objectives not offered by conventional dosage forms. Examples of modified release functionality could be: sustained release coating, enteric coating (see **enteric coating**).

MTR- Mill test report, a quality assurance document in the steel industry that certifies a material's compliance with appropriate ASTM standards and applicable dimensions as well as physical and chemical specifications.

Non-Functional Coatings (also referred to as conventional coatings)- film coatings applied to tablets for improved product appearance (color, gloss), improved handling (e.g. moisture and UV protection), etc.



GLOSSARY (CONTINUED)

Operational Qualification (OQ)- Documents which establish, through testing, that all critical components and “direct impact” systems are capable of operating within established limits and tolerances.

Orbital Welding- Automatic or machine welding of tubes or pipe-in-place with the electrode rotating (or orbiting) around the work.

Passivation- The formation of the protective layer of nickel and chromium oxides that prevent the formation of iron oxide (rust). Stainless steel self-passivates when exposed to air. The process known as passivation is actually an acid cleaning process that removes surface contaminants and allows the stainless steel to form the integral passive layer when exposed to air. Passivation doesn't change the appearance or surface finish.

Potency- a measure of drug activity expressed in terms of the amount required to produce an effect of given intensity. A highly potent drug evokes a larger response at low concentrations, while a drug of lower potency evokes a small response at low concentrations.

Process Qualification (PQ)- Process qualification is the final qualification activity before process validation. PQ integrates procedures, personnel, systems, and materials to verify that the given pharmaceutical grade utility, environment, equipment, or support system produces the required output.

PVA- Polyvinyl alcohol. Used in certain coating systems (complete coating formulations).

Quality Control- A process by which a given entity (e.g. the FDA) reviews the quality of all factors involved in production of a given drug, product or compound.

Quarantine- The compulsory isolation of a person, animal or substance, typically to contain the spread of something considered dangerous, often (but not always) disease.

Riboflavin Test- In cases of organic residues in vessels, a common practice is to spray the inner surfaces with a solution of riboflavin (vitamin B6), which adheres to the residue. When the surfaces of the vessel are exposed to UV light, adhering riboflavin fluoresces, indicating which areas need to be cleaned.

Rouge- A form of pitting corrosion found in pharmaceutical water for injection (WFI) systems. It must be removed chemically, either by electropolishing or repassivation.

Seal Coat or Base Coat- First layer of coating sprayed on the tablet. This first barrier is then used as a foundation to apply additional coatings.

SIP- Steam-in-place, heating or chemical sterilization of process equipment.

Solid Dosage- Term used in the pharmaceutical industry to refer to drugs that are intended for ingestion (vs. injection). Types of solid dosage drugs include tablets, capsules, granules, and powders.

SOP- Standard Operating Procedure.

Sterilization- a term referring to any process that removes or kills all forms of life present on a surface, contained in a fluid, in medication, or in a compound.

Surface Finish- There are three primary means of classifying surface finish. The first is called the standard mechanical sheet finish and is given with a number and a letter that indicates a process sequence used in the manufacture of stainless steel sheets. The second type of classification is by grit or mesh size. The third is by surface finish measurement using a device such as a profilometer.

Turnover Package- A package prepared to identify documentation that will readily allow operating companies to demonstrate that the vendor/contractor provided goods and services in compliance with good manufacturing and good laboratory practices for licensed products. The TOP provides the information that will allow the owner to validate, qualify, operate and maintain the equipment and facilities.

USP- United States Pharmacopeia, a drug regulating agency.

Validation- As it relates to the spray equipment, the process of validation involves the qualification of the manufacturing process to insure that it is stable and reliable so that the corresponding manufactured drugs meet specifications. Once an equipment or a process is validated, a new validation is required if any change is made.

Welder Certificates- (also known as welder qualifications)- specially designed tests to determine a welder's skill and ability to deposit sound weld material. The test consists of many variables, including the specific welding process, type of metal, thickness, joint design, position, and others. Most often, the test is conducted in accordance with a particular code.

Weld Maps- An isometric drawing showing the location and numerical identification of each weld used in the construction of a process piping system. Each weld, when completed, is labeled with the weld number indicated on the weld map, the date completed, and the welder/welding operator identification number or code.

WFI- Water for injection (RO- reverse osmosis, DI- deionized water)

316L Stainless Steel- 316SS contains 0.08% carbon. It may develop a heat-affected zone that is sensitized. If this area is exposed to active electrolytes, inter-granular corrosion may occur. 316LSS contains 0.03% carbon, which minimizes this problem.

TERMS AND CONDITIONS OF SALE

(1) Modification of Terms

Seller's acceptance of any order is expressly subject to Buyer's assent to each and all of the terms and conditions set forth below and Buyer's assent to these terms and conditions shall be conclusively presumed from Buyer's receipt of this document without prompt written objection thereto or from Buyer's acceptance of all or any part of the goods ordered. No addition to or modification of said terms and conditions shall be binding upon Seller unless specifically agreed to by Seller in writing. If Buyer's purchase order or other correspondence contains terms or conditions contrary to or in addition to the terms and conditions set forth below, acceptance of any order by Seller shall not be construed as assent to such contrary or additional terms and conditions or constitute a waiver by Seller of any of the terms and conditions.

(2) Price

Unless otherwise specified: (a) all prices, quotations, shipments and deliveries by Seller are f.o.b. Seller's plant; (b) all base prices, together with related extras and deductions, are subject to change without notice and all orders are accepted subject to Seller's price in effect at the time of shipment; and (c) all transportation and other charges are for the account of Buyer, including all increase or decrease in such charges prior to shipment. Payment of said price shall be due at the remittance address shown on the Seller's invoice 30 days after the date of Seller's invoice. Interest will be charged at a rate of 1 to 1-1/2% per month on all balances outstanding more than 30 days after the date of the invoice.

(3) Minimum Billing

The minimum billing by the Seller for any order shall be \$50.00.

(4) Warranties

Seller warrants that its products will conform to and perform in accordance with the products' specifications. Seller warrants that the products do not infringe upon any copyright, patent or trademark. THE FOREGOING WARRANTIES ARE IN LIEU OF ALL OTHER WARRANTIES, EXPRESSED OR IMPLIED, INCLUDING, BUT NOT LIMITED TO, THOSE CONCERNING MERCHANTABILITY AND FITNESS FOR A PARTICULAR PURPOSE.

(5) Limitation on Liabilities

Because of the difficulty of ascertaining and measuring damages hereunder, it is agreed that, except for claims for bodily injury, Seller's liability to the Buyer or any third party, for any losses or damages, whether direct or otherwise, arising out of the purchase of product from Seller by Buyer shall not exceed the total amount billed and billable to the Buyer for the product hereunder. IN NO EVENT WILL SELLER BE LIABLE FOR ANY LOSS OF PROFITS OR OTHER SPECIAL OR CONSEQUENTIAL DAMAGES, EVEN IF SELLER HAS BEEN ADVISED OF THE POSSIBILITY OF SUCH DAMAGES.

(6) Quality Assurance

Seller shall have no obligation to ensure that any goods purchased from Seller meet any special Buyer quality assurance specifications and/or other special Buyer requirements unless such specifications and/or other requirements are specifically set forth in Buyer's purchase order and expressly accepted by Seller. In the event that any such goods supplied by Seller in connection therewith, are applied to an end use without the appropriate specification and/or other requirement therefore having been set forth in Buyer's purchase order and expressly accepted by Seller, Buyer shall indemnify and hold Seller harmless against any and all damages or claims for damages made by any person for any injury, fatal or nonfatal, to any person or for any damage to the property of any person incident to or arising out of such application.

(7) Claims

Claims respecting the condition of goods, compliance with specifications or any other matter affecting goods shipped to Buyer must be made promptly and, unless otherwise agreed to in writing by Seller, in no event later than one (1) year after receipt of the goods by Buyer. In no event shall any goods be returned, reworked or scrapped by Buyer without the express written authorization of Seller.

(8) Default in Payment

If Buyer fails to make payments on any contract between Buyer and Seller in accordance with Seller's terms, Seller, in addition to any other remedies available to it, may at its option, (i) defer further shipments until such payments are made and satisfactory credit arrangements are re-established or (ii) cancel the unshipped balance of any order.

(9) Technical Assistance

Unless otherwise expressly stated by Seller: (a) any technical advice provided by Seller with respect to the use of goods furnished to Buyer shall be without charge; (b) Seller assumes no obligation or liability for any such advice, or for any results occurring as a result of the application of such advice; and (c) Buyer shall have sole responsibility for selection and specification of the goods appropriate for the end use of such goods.

(10) Cancellation of Special Orders

Special orders or goods specially manufactured for Buyer cannot be canceled or modified by Buyer, and releases cannot be held up by Buyer, after such goods are in process except with the express written consent of the Seller and subject to conditions then to be agreed upon which shall include, without limitation, protection of Seller against all loss.

(11) Patents

The Seller shall not be liable for any costs or damages incurred by the Buyer as a result of any suit or proceeding brought against Buyer so far as based on claims (a) that use of any product, or any part thereof, furnished hereunder, in combination with products not supplied by the Seller or (b) that a manufacturing or other process utilizing any product, or any part thereof furnished hereunder, constitute either direct or contributory infringement of any patent of the United States. The Buyer shall hold the Seller harmless against any expense or loss resulting from infringement of patents or trademarks arising from compliance with Buyer's designs or specifications or instructions.

(12) Complete Agreement

The terms and conditions set forth herein, together with any other documents incorporated herein by reference constitute the sole and entire agreement between Buyer and Seller with respect to any order superseding completely any oral or written communications. No additions to or variations from such terms and conditions whether contained in Buyer's purchase order, any shipping release or elsewhere shall be binding upon Seller unless expressly agreed to in writing by Seller.

(13) Governing Law

All orders are accepted by Seller at its mailing address in Wheaton, Illinois, and shall be governed by and interpreted in accordance with the laws of the State of Illinois.

(14) Customer Return Policy

We recognize that at times it is necessary for our customers to return products for a variety of reasons. Returns are a normal part of an on-going business relationship. To make the process as straightforward and fair as possible, our policy is based upon the following:

- An error on our part: Seller will credit you for the product and shipping costs, up to one year from ship date.
- An error on your part: Standard products can be returned for full credit, freight prepaid, also up to one year from date of shipment. There is the normal restocking charge of 20%.

Returns are subject to inspection.

For quick handling and authorization of returns, contact your local sales office.

Spraying Systems Co. reserves the right to make changes in specifications or design of the products shown in the catalog or to add improvements at any time without notice or obligation.